

WHELEN[®]

ENGINEERING COMPANY INC.

51 Winthrop Road,
Chester, Connecticut 06412-0684
Phone: (860) 526-9504

Installation Guide: Dominator™ Rear Window Bracket DBKT5 2008 Tahoe

Internet: www.whelen.com
Sales e-mail: autosale@whelen.com
Customer Service e-mail: custserv@whelen.com

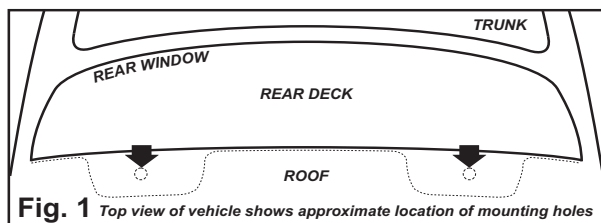


Fig. 1 Top view of vehicle shows approximate location of mounting holes

Caution: Permanent mounting of this product will require drilling. It is absolutely necessary to make sure that no other vehicle components could be damaged by this process. Check both sides of the mounting surface before starting.

1. Lower the rear section of the headliner and locate the 2 existing holes in the vehicle roof shown in Figs. 1 & 2.
2. Enlarge these holes to a diameter of .391" using an appropriately sized drill bit.

IMPORTANT NOTE! This installation uses Rivnuts™ to secure the brackets to the vehicle. This type of hardware requires the use of a specialized installation tool. Refer to the owners manual included with this tool for proper installation techniques. Be sure to follow the mounting hole specifications precisely!

3. Secure tighten the two brackets to the two Rivnuts using the supplied metal screws and lock washers.

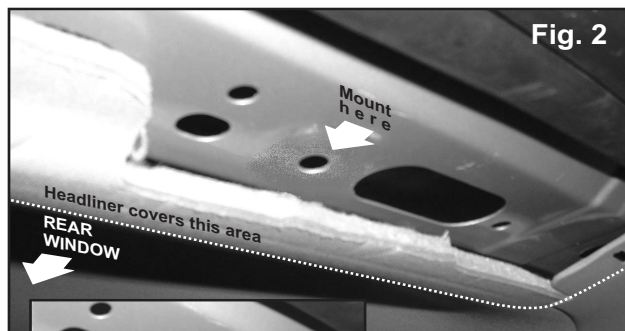


Fig. 2

4. Replace the headliner and make two small slits in the headliner for the brackets to go through.
5. Secure the lightbar to the two brackets.
6. Extend the lightbar wires to your power source and connect the wires as shown in the lightbar manual.

©2008 Whelen Engineering Company Inc.
Form No.14247 (120208)

For warranty information regarding this product, visit www.whelen.com/warranty

WHELEN[®]

ENGINEERING COMPANY INC.

51 Winthrop Road,
Chester, Connecticut 06412-0684
Phone: (860) 526-9504

Installation Guide: Dominator™ Rear Window Bracket DBKT5 2008 Tahoe

Internet: www.whelen.com
Sales e-mail: autosale@whelen.com
Customer Service e-mail: custserv@whelen.com

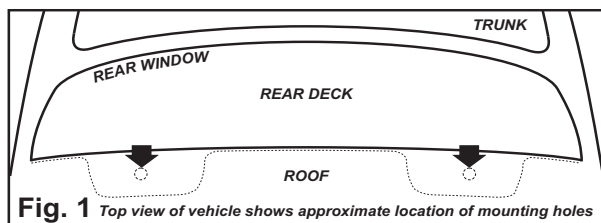


Fig. 1 Top view of vehicle shows approximate location of mounting holes

Caution: Permanent mounting of this product will require drilling. It is absolutely necessary to make sure that no other vehicle components could be damaged by this process. Check both sides of the mounting surface before starting.

1. Lower the rear section of the headliner and locate the 2 existing holes in the vehicle roof shown in Figs. 1 & 2.
2. Enlarge these holes to a diameter of .391" using an appropriately sized drill bit.

IMPORTANT NOTE! This installation uses Rivnuts™ to secure the brackets to the vehicle. This type of hardware requires the use of a specialized installation tool. Refer to the owners manual included with this tool for proper installation techniques. Be sure to follow the mounting hole specifications precisely!

3. Secure tighten the two brackets to the two Rivnuts using the supplied metal screws and lock washers.

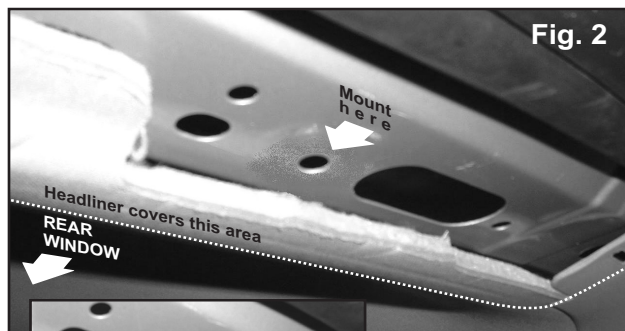


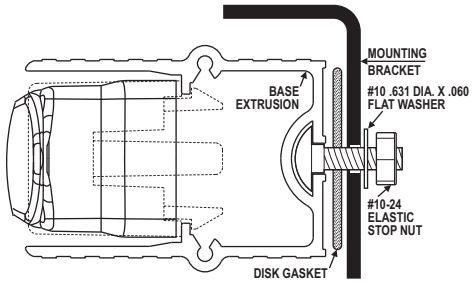
Fig. 2

4. Replace the headliner and make two small slits in the headliner for the brackets to go through.
5. Secure the lightbar to the two brackets.
6. Extend the lightbar wires to your power source and connect the wires as shown in the lightbar manual.

IMPORTANT! Before returning the vehicle to active service, visually confirm the proper operation of this product, as well as all vehicle components/equipment.

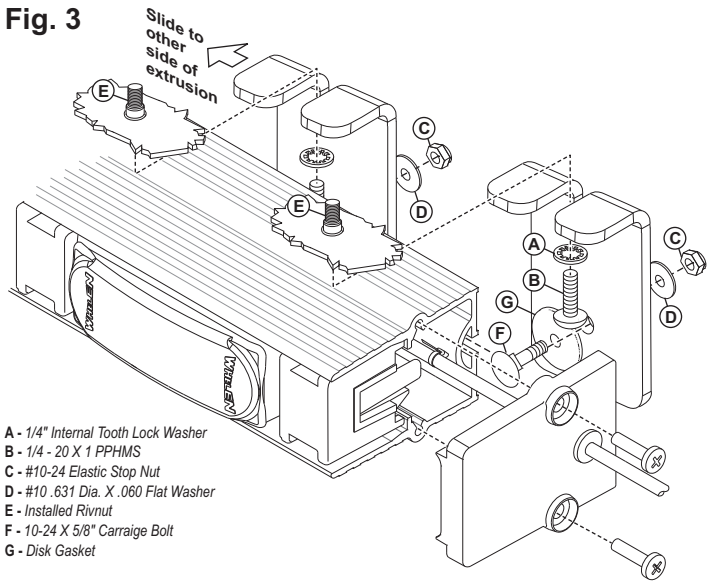
©2008 Whelen Engineering Company Inc.
Form No.14247 (120208)

For warranty information regarding this product, visit www.whelen.com/warranty

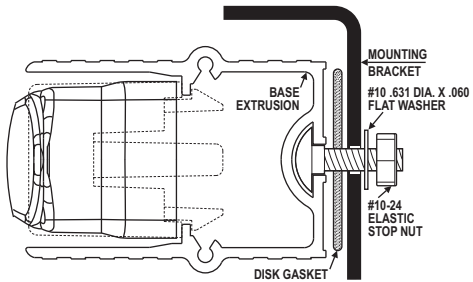


End view of extrusion with endcap removed.

Fig. 3

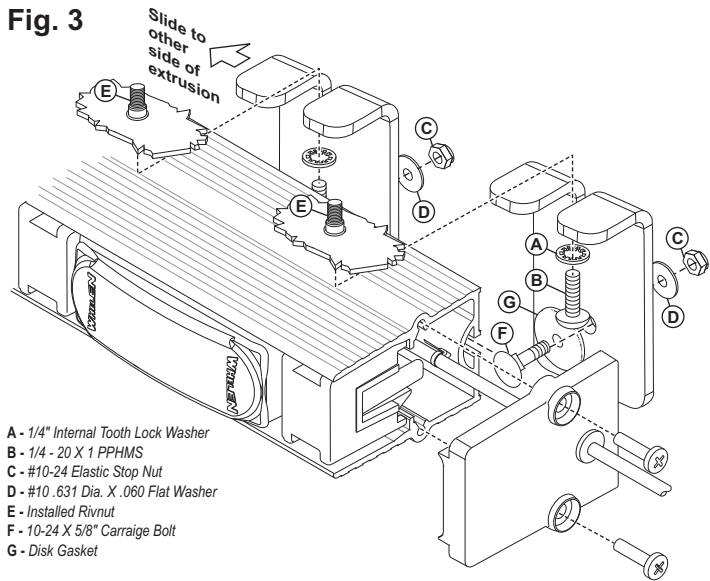


- A - 1/4" Internal Tooth Lock Washer
- B - 1/4 - 20 X 1 PPHMS
- C - #10-24 Elastic Stop Nut
- D - #10-.631 Dia. X .060 Flat Washer
- E - Installed Rivnut
- F - 10-24 X 5/8" Carriage Bolt
- G - Disk Gasket



End view of extrusion with endcap removed.

Fig. 3



- A - 1/4" Internal Tooth Lock Washer
- B - 1/4 - 20 X 1 PPHMS
- C - #10-24 Elastic Stop Nut
- D - #10-.631 Dia. X .060 Flat Washer
- E - Installed Rivnut
- F - 10-24 X 5/8" Carriage Bolt
- G - Disk Gasket