

# WHELEN<sup>®</sup>

ENGINEERING COMPANY INC.

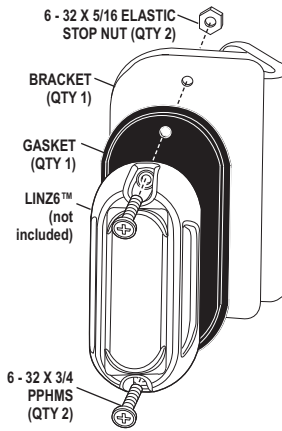
51 Winthrop Road,  
Chester, Connecticut 06412-0684  
Phone: (860) 526-9504

## Installation Guide: LINZ6™ Mounting Bracket Model L6BKT3 for Police Push-Bumper

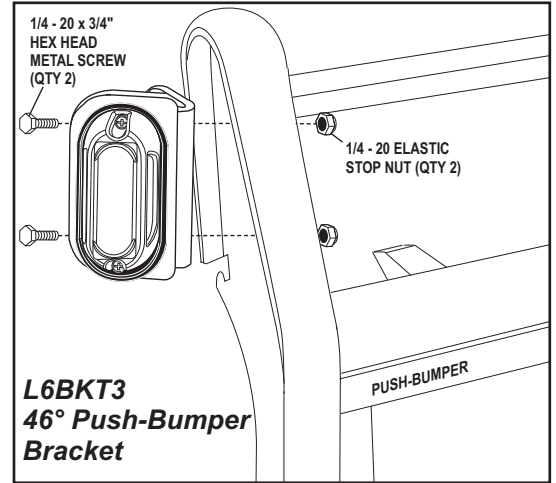
Internet: [www.whelen.com](http://www.whelen.com)  
Sales e-mail: [autosale@whelen.com](mailto:autosale@whelen.com)  
Customer Service e-mail: [custserv@whelen.com](mailto:custserv@whelen.com)

### Installation and Wiring:

1. Secure the lighthead (with gasket) to the mounting bracket.
2. Using the bracket as a template, mark the 2 mounting hole locations onto the mounting surface.
3. Drill two 9/32" diameter mounting holes into the mounting surface (in the locations marked off in step 2) and secure the bracket with the supplied 1/4 - 20 X 3/4" Hex Head Metal Screws.
4. Extend the lighthead wires to their connections and refer to the lighthead manual for fusing and operation.



**IMPORTANT!** Before returning the vehicle to active service, visually confirm the proper operation of this product, as well as all vehicle components/equipment



**IMPORTANT!** It is the responsibility of the installation technician to make sure that the installation and operation of this product will not interfere with or compromise the operation or efficiency of any vehicle equipment!

©2009 Whelen Engineering Company Inc.  
Form No.14299 (051209)

For warranty information regarding this product, visit [www.whelen.com/warranty](http://www.whelen.com/warranty)

# WHELEN<sup>®</sup>

ENGINEERING COMPANY INC.

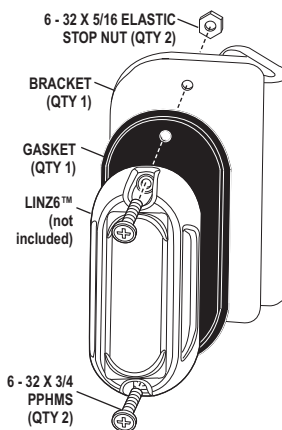
51 Winthrop Road,  
Chester, Connecticut 06412-0684  
Phone: (860) 526-9504

## Installation Guide: LINZ6™ Mounting Bracket Model L6BKT3 for Police Push-Bumper

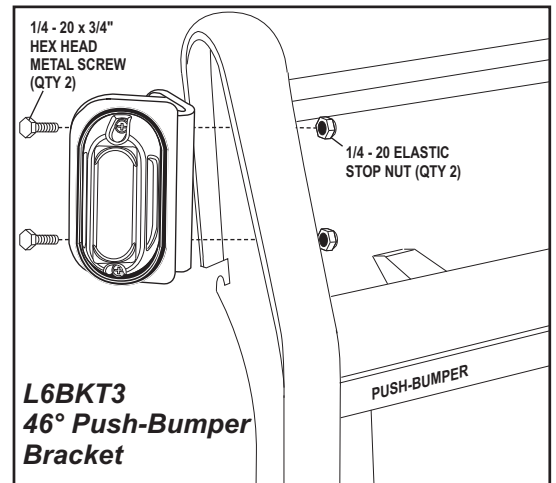
Internet: [www.whelen.com](http://www.whelen.com)  
Sales e-mail: [autosale@whelen.com](mailto:autosale@whelen.com)  
Customer Service e-mail: [custserv@whelen.com](mailto:custserv@whelen.com)

### Installation and Wiring:

1. Secure the lighthead (with gasket) to the mounting bracket.
2. Using the bracket as a template, mark the 2 mounting hole locations onto the mounting surface.
3. Drill two 9/32" diameter mounting holes into the mounting surface (in the locations marked off in step 2) and secure the bracket with the supplied 1/4 - 20 X 3/4" Hex Head Metal Screws.
4. Extend the lighthead wires to their connections and refer to the lighthead manual for fusing and operation.



**IMPORTANT!** Before returning the vehicle to active service, visually confirm the proper operation of this product, as well as all vehicle components/equipment



**IMPORTANT!** It is the responsibility of the installation technician to make sure that the installation and operation of this product will not interfere with or compromise the operation or efficiency of any vehicle equipment!

©2009 Whelen Engineering Company Inc.  
Form No.14299 (051209)

For warranty information regarding this product, visit [www.whelen.com/warranty](http://www.whelen.com/warranty)