

WHELEN[®]

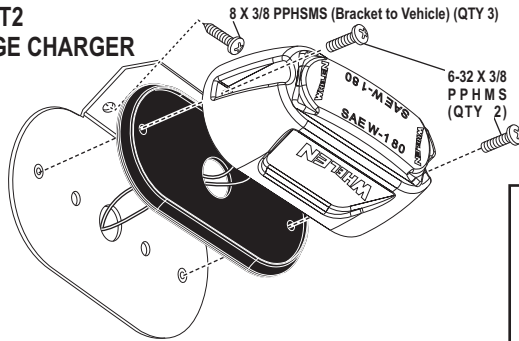
ENGINEERING COMPANY INC.

51 Winthrop Road,
Chester, Connecticut 06412-0684
Phone: (860) 526-9504

Installation Guide: LINZ6™ Mounting Bracket Model L6BKT2 2007-2009 Dodge Charger Trunk Lid

Internet: www.whelen.com
Sales e-mail: autosale@whelen.com
Customer Service e-mail: custserv@whelen.com

L6BKT2 DODGE CHARGER

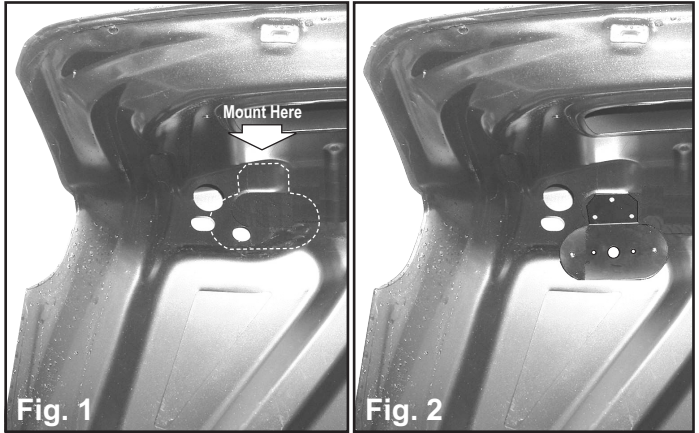


IMPORTANT! It is the responsibility of the installation technician to make sure that the installation and operation of this product will not interfere with or compromise the operation or efficiency of any vehicle equipment!

IMPORTANT! Before returning the vehicle to active service, visually confirm the proper operation of this product, as well as all vehicle components/equipment

Installation and Wiring:

1. Secure the lighthead (with gasket) to the mounting bracket.
2. Locate mounting area (Fig. 1). Using the bracket as a template, mark the 3 mounting hole locations onto the mounting surface (Fig. 2). Use the existing hole in the trunk for the wire hole.
3. Drill three, .144" diameter mounting holes (#27 drill bit) into the mounting surface (in the locations marked off in step 2) and secure the bracket with the 3 supplied 8 X 3/8" PPHSM screws.
4. Extend the lighthead wires to their connections and refer to the lighthead manual for fusing and operation.



©2009 Whelen Engineering Company Inc.
Form No.14301 (051309)

For warranty information regarding this product, visit www.whelen.com/warranty

WHELEN[®]

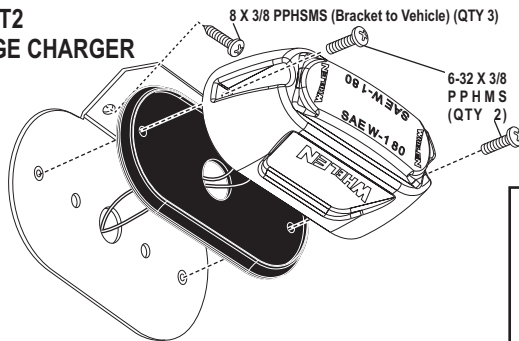
ENGINEERING COMPANY INC.

51 Winthrop Road,
Chester, Connecticut 06412-0684
Phone: (860) 526-9504

Installation Guide: LINZ6™ Mounting Bracket Model L6BKT2 2007-2009 Dodge Charger Trunk Lid

Internet: www.whelen.com
Sales e-mail: autosale@whelen.com
Customer Service e-mail: custserv@whelen.com

L6BKT2 DODGE CHARGER

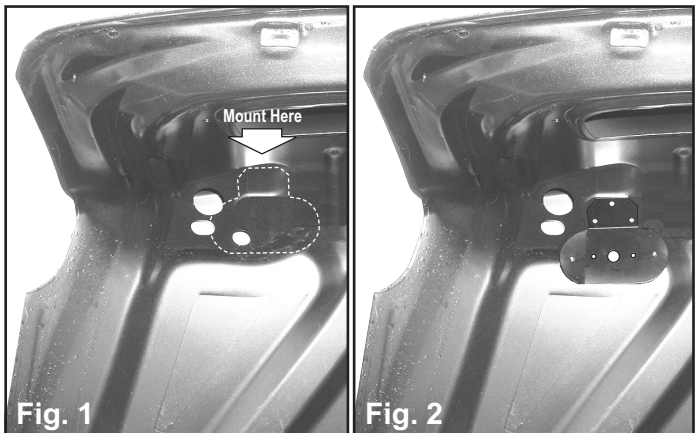


IMPORTANT! It is the responsibility of the installation technician to make sure that the installation and operation of this product will not interfere with or compromise the operation or efficiency of any vehicle equipment!

IMPORTANT! Before returning the vehicle to active service, visually confirm the proper operation of this product, as well as all vehicle components/equipment

Installation and Wiring:

1. Secure the lighthead (with gasket) to the mounting bracket.
2. Locate mounting area (Fig. 1). Using the bracket as a template, mark the 3 mounting hole locations onto the mounting surface (Fig. 2). Use the existing hole in the trunk for the wire hole.
3. Drill three, .144" diameter mounting holes (#27 drill bit) into the mounting surface (in the locations marked off in step 2) and secure the bracket with the 3 supplied 8 X 3/8" PPHSM screws.
4. Extend the lighthead wires to their connections and refer to the lighthead manual for fusing and operation.



©2009 Whelen Engineering Company Inc.
Form No.14301 (051309)

For warranty information regarding this product, visit www.whelen.com/warranty