

# WHELEN<sup>®</sup>

ENGINEERING COMPANY INC.

51 Winthrop Road,  
Chester, Connecticut 06412-0684  
Phone: (860) 526-9504

**Installation Guide:**  
**600 Series to M6 Series Flange Adapter**  
**Model M6FC600**

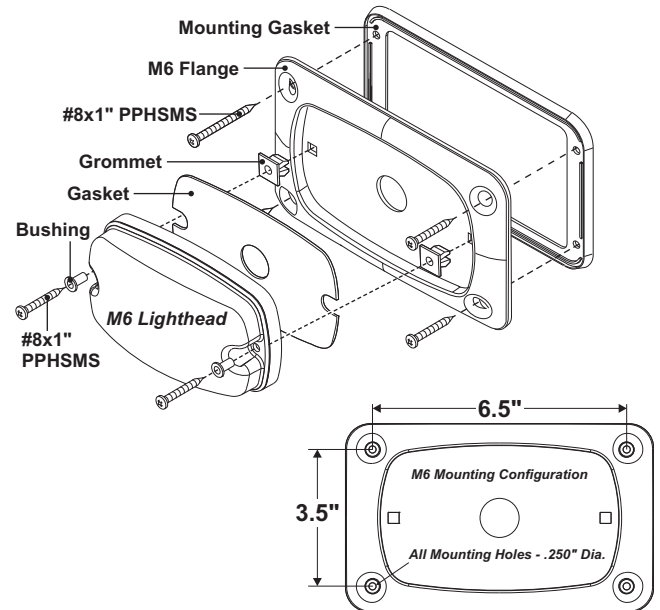
Internet: [www.whelen.com](http://www.whelen.com)  
Sales e-mail: [autosale@whelen.com](mailto:autosale@whelen.com)  
Customer Service e-mail: [custserv@whelen.com](mailto:custserv@whelen.com)

**Mounting:**

1. Remove the existing 600 series lighthead and gasket from the mounting surface.
2. Mark the M6 flange mounting hole locations onto the mounting surface either by using the flange as a template or the measurements shown. Drill four, 1/4" mounting holes.
3. Insert two #8 square grommets into the M6 flange and secure lighthead to flange with two #8 sheet metal screws.

**NOTE: Due to application variations, cutting and/or drilling may be required for the square grommets.**

4. Secure the lighthead assembly to the vehicle as shown using the hardware provided.
5. Extend the wires to your power source and connect as shown in the lighthead manual.



©2009 Whelen Engineering Company Inc.  
Form No.14338A (051311)

**For warranty information regarding this product, visit [www.whelen.com/warranty](http://www.whelen.com/warranty)**

# WHELEN<sup>®</sup>

ENGINEERING COMPANY INC.

51 Winthrop Road,  
Chester, Connecticut 06412-0684  
Phone: (860) 526-9504

**Installation Guide:**  
**600 Series to M6 Series Flange Adapter**  
**Model M6FC600**

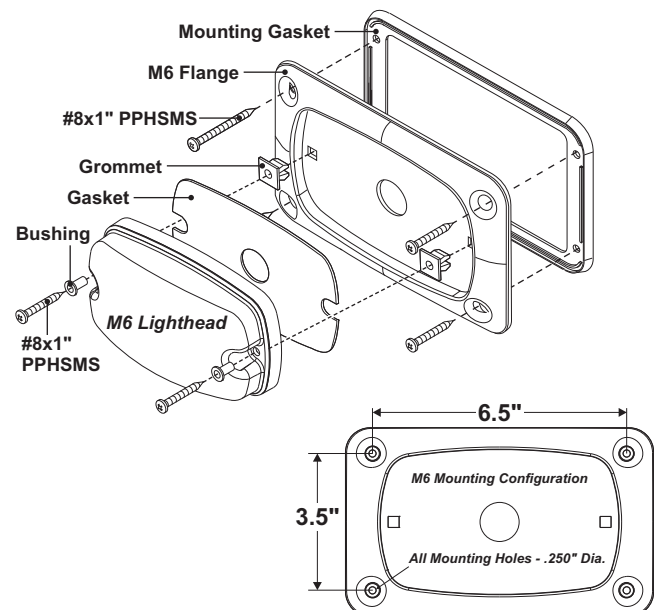
Internet: [www.whelen.com](http://www.whelen.com)  
Sales e-mail: [autosale@whelen.com](mailto:autosale@whelen.com)  
Customer Service e-mail: [custserv@whelen.com](mailto:custserv@whelen.com)

**Mounting:**

1. Remove the existing 600 series lighthead and gasket from the mounting surface.
2. Mark the M6 flange mounting hole locations onto the mounting surface either by using the flange as a template or the measurements shown. Drill four, 1/4" mounting holes.
3. Insert two #8 square grommets into the M6 flange and secure lighthead to flange with two #8 sheet metal screws.

**NOTE: Due to application variations, cutting and/or drilling may be required for the square grommets.**

4. Secure the lighthead assembly to the vehicle as shown using the hardware provided.
5. Extend the wires to your power source and connect as shown in the lighthead manual.



©2009 Whelen Engineering Company Inc.  
Form No.14338A (051311)

**For warranty information regarding this product, visit [www.whelen.com/warranty](http://www.whelen.com/warranty)**