

WHELEN[®]

ENGINEERING COMPANY INC.

51 Winthrop Road
Chester, Connecticut 06412-0684
Phone: (860) 526-9504
Internet: www.whelen.com
Sales e-mail: autosale@whelen.com
Customer Service e-mail: custserv@whelen.com

Installation Guide:
L10 Series DUO™ LED Beacon
(12 and 24 volt)

Warnings to Installers

Whelen's emergency vehicle warning devices must be properly mounted and wired in order to be effective and safe. Read and follow all of Whelen's written instructions when installing or using this device. Emergency vehicles are often operated under high speed stressful conditions which must be accounted for when installing all emergency warning devices. Controls should be placed within convenient reach of the operator so that they can operate the system without taking their eyes off the roadway. Emergency warning devices can require high electrical voltages and/or currents. Properly protect and use caution around live electrical connections. Grounding or shorting of electrical connections can cause high current arcing, which can cause personal injury and/or vehicle damage, including fire. Many electronic devices used in emergency vehicles can create or be affected by electromagnetic interference. Therefore, after installation of any electronic device it is necessary to test all electronic equipment simultaneously to insure that they operate free of interference from other components within the vehicle. Never power emergency warning equipment from the same circuit or share the same grounding circuit with radio communication equipment. All devices should be mounted in accordance with the manufacturer's instructions and securely fastened to vehicle elements of sufficient strength to withstand the forces applied to the device. Driver and/or passenger air bags (SRS) will affect the way equipment should be mounted. This device should be mounted by permanent installation and within the zones specified by the vehicle manufacturer, if any. Any device mounted in the deployment area of an air bag will damage or reduce the effectiveness of the air bag and may damage or dislodge the device. Installer must be sure that this device, its mounting hardware and electrical supply wiring does not interfere with the air bag or the SRS wiring or sensors. Mounting the unit inside the vehicle by a method other than permanent installation is not recommended as unit may become dislodged during swerving; sudden braking or collision. Failure to follow instructions can result in personal injury. Whelen assumes no liability for any loss resulting from the use of this warning device. **PROPER INSTALLATION COMBINED WITH OPERATOR TRAINING IN THE PROPER USE OF EMERGENCY WARNING DEVICES IS ESSENTIAL TO INSURE THE SAFETY OF EMERGENCY PERSONNEL AND THE PUBLIC.**

Warnings to Users

Whelen's emergency vehicle warning devices are intended to alert other operators and pedestrians to the presence and operation of emergency vehicles and personnel. However, the use of this or any other Whelen emergency warning device does not guarantee that you will have the right-of-way or that other drivers and pedestrians will properly heed an emergency warning signal. Never assume you have the right-of-way. It is your responsibility to proceed safely before entering an intersection, driving against traffic, responding at a high rate of speed, or walking on or around traffic lanes. Emergency vehicle warning devices should be tested on a daily basis to ensure that they operate properly. When in actual use, the operator must ensure that both visual and audible warnings are not blocked by vehicle components (i.e.: open trunks or compartment doors), people, vehicles, or other obstructions. It is the user's responsibility to understand and obey all laws regarding emergency warning devices. The user should be familiar with all applicable laws and regulations prior to the use of any emergency vehicle warning device. Whelen's audible warning devices are designed to project sound in a forward direction away from the vehicle occupants. However, because sustained periodic exposure to loud sounds can cause hearing loss, all audible warning devices should be installed and operated in accordance with the standards established by the National Fire Protection Association.

Safety First

This document provides all the necessary information to allow your Whelen product to be properly and safely installed. Before beginning the installation and/or operation of your new product, the installation technician and operator must read this manual completely. Important information is contained herein that could prevent serious injury or damage.

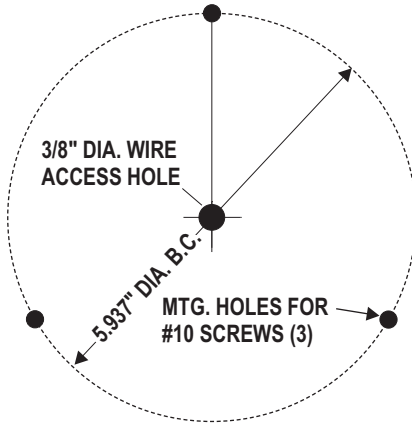
⚠ WARNING: This product can expose you to chemicals including Methylene Chloride which is known to the State of California to cause cancer, and Bisphenol A, which is known to the State of California to cause birth defects or other reproductive harm. For more information go to www.P65Warnings.ca.gov.

- **Proper installation of this product requires the installer to have a good understanding of automotive electronics, systems and procedures.**
- **Whelen Engineering requires the use of waterproof butt splices and/or connectors if that connector could be exposed to moisture.**
- **Any holes, either created or utilized by this product, should be made both air- and watertight using a sealant recommended by your vehicle manufacturer.**
- **Failure to use specified installation parts and/or hardware will void the product warranty.**
- **If mounting this product requires drilling holes, the installer MUST be sure that no vehicle components or other vital parts could be damaged by the drilling process. Check both sides of the mounting surface before drilling begins. Also de-burr the holes and remove any metal shards or remnants. Install grommets into all wire passage holes.**
- **If this manual states that this product may be mounted with suction cups, magnets, tape or Velcro®, clean the mounting surface with a 50/50 mix of isopropyl alcohol and water and dry thoroughly.**
- **Do not install this product or route any wires in the deployment area of your air bag. Equipment mounted or located in the air bag deployment area will damage or reduce the effectiveness of the air bag, or become a projectile that could cause serious personal injury or death. Refer to your vehicle owner's manual for the air bag deployment area. The User/Installer assumes full responsibility to determine proper mounting location, based on providing ultimate safety to all passengers inside the vehicle.**
- **For this product to operate at optimum efficiency, a good electrical connection to chassis ground must be made. The recommended procedure requires the product ground wire to be connected directly to the NEGATIVE (-) battery post (this does not include products that use cigar power cords).**
- **If this product uses a remote device for activation or control, make sure that this device is located in an area that allows both the vehicle and the device to be operated safely in any driving condition.**
- **Do not attempt to activate or control this device in a hazardous driving situation.**
- **This product contains either strobe light(s), halogen light(s), high-intensity LEDs or a combination of these lights. Do not stare directly into these lights. Momentary blindness and/or eye damage could result.**
- **Use only soap and water to clean the outer lens. Use of other chemicals could result in premature lens cracking (crazing) and discoloration. Lenses in this condition have significantly reduced effectiveness and should be replaced immediately. Inspect and operate this product regularly to confirm its proper operation and mounting condition. Do not use a pressure washer to clean this product.**
- **It is recommended that these instructions be stored in a safe place and referred to when performing maintenance and/or reinstallation of this product.**
- **FAILURE TO FOLLOW THESE SAFETY PRECAUTIONS AND INSTRUCTIONS COULD RESULT IN DAMAGE TO THE PRODUCT OR VEHICLE AND/OR SERIOUS INJURY TO YOU AND YOUR PASSENGERS!**

IMPORTANT: It is the responsibility of the installation technician to make sure that the installation and operation of this product will not interfere with or compromise the operation or efficiency of any vehicle equipment! Permanent mounting of this product will require drilling. It is absolutely necessary to make sure that no other vehicle components could be damaged by this process. Check both sides of the mounting surface before starting. If damage is likely, select a different mounting location.

Permanent Mount:

- Using the base as a template, mark the 3 mounting holes onto the mounting surface. Remove the base and mark the location of the wire access hole, centered between the 3 mounting holes.
- Drill the mounting holes using a drill bit sized for a #10 screw. Drill a wire access hole using a 3/8" drill bit.



**MOUNTING DIMENSIONS
PERMANENT MOUNT**

Remove the burrs from the wire access hole so as not to damage the wires. It is recommended that a rubber grommet be installed to further protect the wires. A gasket will be used between the beacon base and the mounting surface.

- After connecting the beacon to the power cable, feed the wires through the cable access hole and place the base and gasket on the mounting surface. Align the mounting holes in the base with the mounting holes in the mounting surface. Secure the beacon firmly to the mounting surface using the #10 X 5/8 Sheet Metal Screws provided.

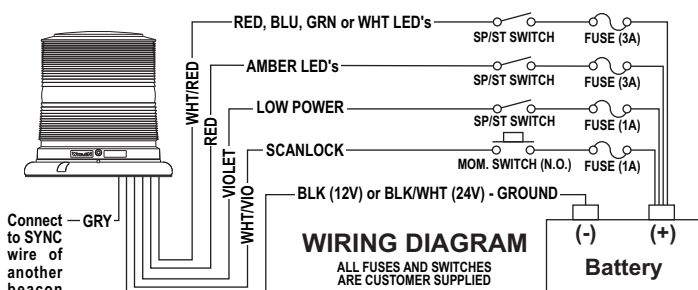
1 Inch (NPT) Pipe Mount:

Threading for a 1" NPT pipe mounting is precast into the base. Feed the power cable through the 1 inch pipe and connect to wires of beacon. Screw the beacon to the threads on the pipe, taking precaution not to damage the power wires. **NOTE: Do not tighten the base too hard so as not to damage the threads.**

Temporary Mount (Magnetic, Suction Cup, etc.)

With magnetic or magnetic/suction cup mounting you are able to remove the beacon if necessary and avoid drilling.

Magnetic/suction: Thoroughly clean the proposed mounting surface prior to mounting. For suction cup mounting, wipe the suction cup clean, place the beacon onto its mounting surface and apply gentle pressure to ensure a good seal has been achieved. The Magnetic/Suction Cups mount the same way as standard suction cups but are best suited to a flat, steel surface. **Magnetic:** Place the beacon onto the mounting surface and plug it into the vehicle cigar lighter.



Wiring and Operation:

WARNING! All customer supplied wires that connect to the positive terminal of the battery must be sized to supply at least 125% of the maximum operating current and **FUSED** at the battery to carry the load. **DO NOT USE CIRCUIT BREAKERS WITH THIS PRODUCT!**

White/Red - Color LED's:

Applying +VBAT to this wire activates the color LED's (RED, BLUE or WHITE). Connect to power through an SPST switch and fuse the wire @3Amps.

Red - Amber LED's:

Applying +VBAT to this wire activates the amber LED's. Connect to power through an SPST switch and fuse the wire @3Amps.

NOTE: The AMBER LED's and the COLOR LED's each have their own separate set of flash patterns. Each can be activated separately and programmed with its own pattern. You can also activate both together and select a third flash pattern which will engage whenever both sets of LED's are activated together.

Violet - Low Power:

Applying +VBAT to this wire switches the LED's to low power. With Low Power engaged you may select from 4 intensities using Scanlock the same way you would when selecting a flash pattern.

White/Violet - Scan-Lock™ Flash pattern selection:

To select a flash pattern the LED's must be activated.

To cycle forward to the next available pattern apply +VBAT to the WHT/VIO wire for less than 1 second and release.

To cycle back to the previous pattern apply +VBAT to the WHT/VIO wire for more than 1 second and release.

To change the default pattern allow any pattern to run for more than 5 seconds. The beacon will now display this pattern when activated.

Restoring the factory default pattern (SignalAlert™ 75): Turn the beacon off. Apply +VBAT to the WHT/VIO wire while turning power to the beacon on. The factory default pattern will now be displayed.

Use a normally open momentary switch to control Scan-Lock™.

Flash Patterns:	9. ComAlert™ 75 PH1	18. SingleFlash 300
1. SignalAlert™ 75 PH1	10. ComAlert™ 75 PH2	19. DoubleFlash 150
2. SignalAlert™ 75 PH2	11. LongBurst™ 75 PH1	20. ComAlert™ 150
3. CometFlash® 75 PH1	12. LongBurst™ 75 PH2	21. ActionFlash™ 50
4. CometFlash® 75 PH2	13. PingPong™ 75 PH1	22. ActionFlash™ 150
5. DoubleFlash 75 PH1	14. PingPong™ 75 PH2	23. ModuFlash™
6. DoubleFlash 75 PH2	15. SingleFlash 60	24. ActionScan™
7. SingleFlash 75 PH1	16. SingleFlash 90	
8. SingleFlash 75 PH2	17. SingleFlash 120	

PH1 = Phase 1
PH2 = Phase 2

Grey - SYNC:

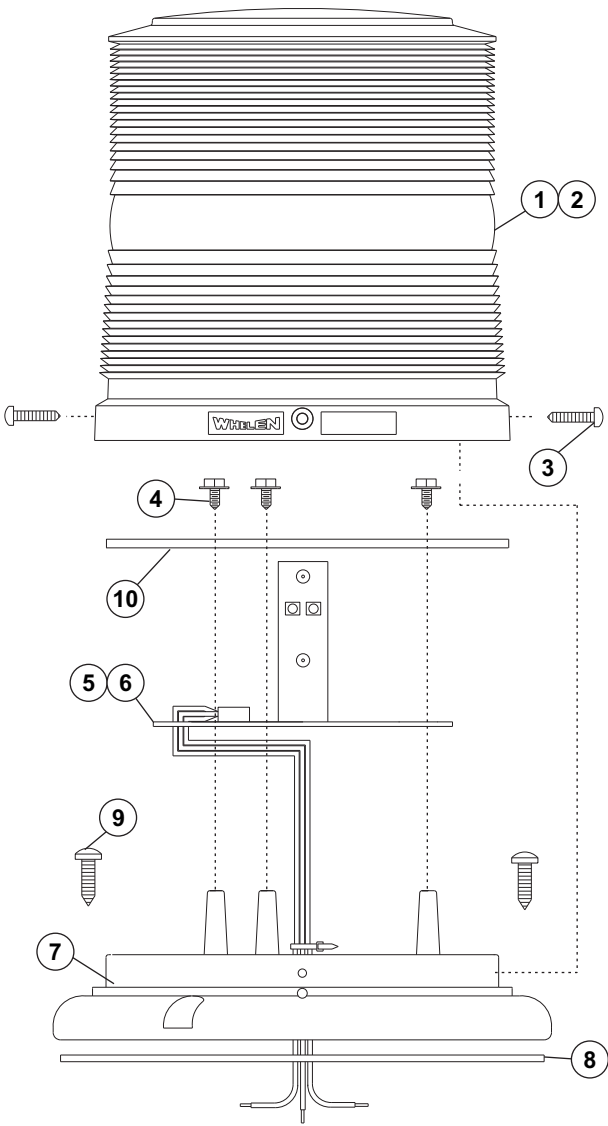
To SYNC two beacons, configure both to display the same Phase 1 pattern. With power off connect the GREY wires from each beacon together. When the beacons are activated their patterns will be synchronized. To configure the beacons to alternate their patterns set the pattern of either beacon to Phase 2 of the current pattern.

Black - Ground: Connect this wire to the vehicle ground.

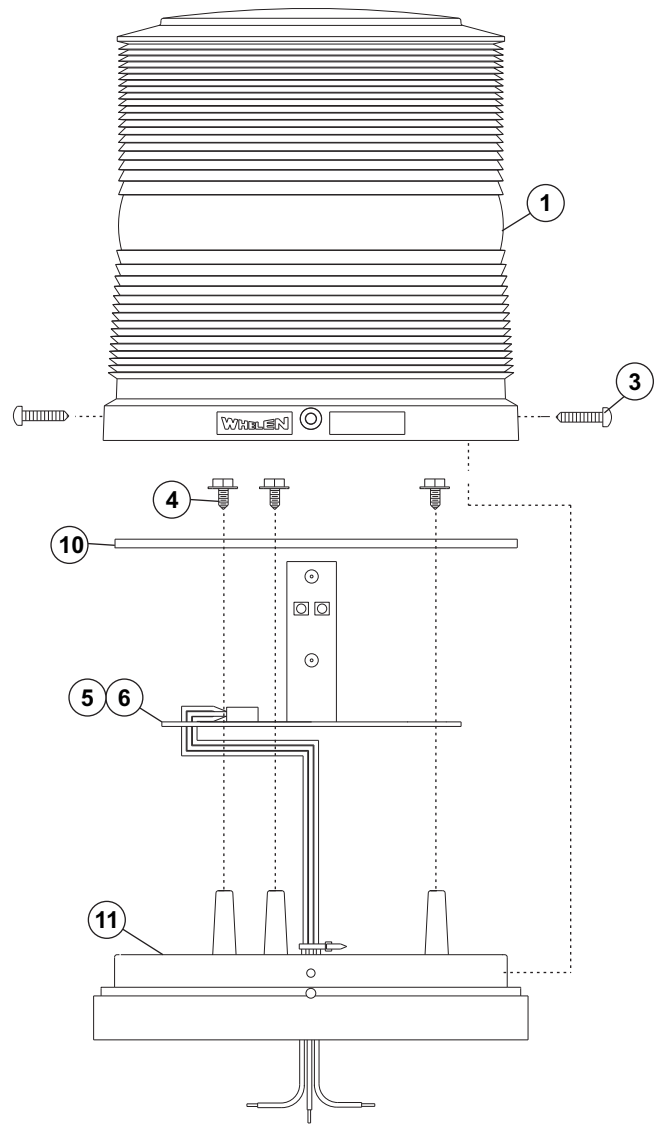
IMPORTANT WARNING!

CAUTION! DO NOT LOOK DIRECTLY AT THESE LED'S WHILE THEY ARE ON. MOMENTARY BLINDNESS AND/OR EYE DAMAGE COULD RESULT!

PERM MOUNT



POLE MOUNT



Specifications:

12V

Input Voltage 12.8 VDC +/- 20%

Input Current / Peak 1 AMP Per Color

Input Current / Avg. 0.4 AMPS Per Color

24V

Input Voltage 25.6 VDC +/- 20%

Input Current / Peak 0.5 AMPS Per Color

Input Current / Avg. 0.2 AMPS Per Color

LED Current 0.5 AMPS Per Color

PART NUMBER KEY (SAMPLE)

01-0687508

MOUNTING **LED COLORS** **VOLTAGE**
 - = PERM F = AMB/WHT 0 = 12V
 1 = POLE M = AMB/BLU 1 = 24V
 K = AMB/RED
 P = AMB/GRN

QTY	QTY	QTY	ITEM	PART NUMBER	DESCRIPTION
	*			01-0687508-__	LED LIGHT ASSY, DUO L10, PERMANENT MOUNT
	*			01-06875081-__	LED LIGHT ASSY, DUO L10, POLE MOUNT
*				01-0687546-__	LED LIGHT ASSY, DUO L10, PERMANENT MOUNT
1	1	1	1	68-2180483-30	DOME, LENS (SAE) WITH WHELEN LOGO
1	-	-	2	68-2187135-30	DOME, CLEAR OPTIC, DMS LED BEACON
2	2	2	3	15-065419-080	SCREW, 6 X 1/2 PPH PLASTI 410 SS
3	3	3	4	15-066939-056	#6 x 5/16" HEX WSHR HD. THD. FORMING SCREW
A/R	A/R	A/R	5	01-026E850-1	ELEC ASSY, L10 12V BALLAST WITH LEDES
A/R	A/R	A/R	6	01-026E850-2	ELEC ASSY, L10 24V BALLAST WITH LEDES
1	-	1	7	06-16E894-000	BASE, DUO L10 MODS WIRE EXIT
1	-	1	8	38-0241596-00	SEAL, BASE MODEL 2000 SERIES B
3	-	3	9	15-101416-100	SCREW, 10 X 5/8 PPHSMS . 410 SS
1	1	1	10	38-0441331-00	O RING, ROTATING BEACON
1	1	-	11	06-16E898-000	BASE, FLANGELESS DUO L10 MODS WIRE EXIT