

WHELEN[®]

ENGINEERING COMPANY INC.

51 Winthrop Road
Chester, Connecticut 06412-0684
Phone: (860) 526-9504
Internet: www.whelen.com
Sales e-mail: autosale@whelen.com
Customer Service e-mail: custserv@whelen.com

Installation Guide: SmartLogic™ Programmable D.O.T. System

Warnings to Installers

Whelen's emergency vehicle warning devices must be properly mounted and wired in order to be effective and safe. Read and follow all of Whelen's written instructions when installing or using this device. Emergency vehicles are often operated under high speed stressful conditions which must be accounted for when installing all emergency warning devices. Controls should be placed within convenient reach of the operator so that they can operate the system without taking their eyes off the roadway. Emergency warning devices can require high electrical voltages and/or currents. Properly protect and use caution around live electrical connections. Grounding or shorting of electrical connections can cause high current arcing, which can cause personal injury and/or vehicle damage, including fire. Many electronic devices used in emergency vehicles can create or be affected by electromagnetic interference. Therefore, after installation of any electronic device it is necessary to test all electronic equipment simultaneously to insure that they operate free of interference from other components within the vehicle. Never power emergency warning equipment from the same circuit or share the same grounding circuit with radio communication equipment. All devices should be mounted in accordance with the manufacturer's instructions and securely fastened to vehicle elements of sufficient strength to withstand the forces applied to the device. Driver and/or passenger air bags (SRS) will affect the way equipment should be mounted. This device should be mounted by permanent installation and within the zones specified by the vehicle manufacturer, if any. Any device mounted in the deployment area of an air bag will damage or reduce the effectiveness of the air bag and may damage or dislodge the device. Installer must be sure that this device, its mounting hardware and electrical supply wiring does not interfere with the air bag or the SRS wiring or sensors. Mounting the unit inside the vehicle by a method other than permanent installation is not recommended as unit may become dislodged during swerving; sudden braking or collision. Failure to follow instructions can result in personal injury. Whelen assumes no liability for any loss resulting from the use of this warning device. **PROPER INSTALLATION COMBINED WITH OPERATOR TRAINING IN THE PROPER USE OF EMERGENCY WARNING DEVICES IS ESSENTIAL TO INSURE THE SAFETY OF EMERGENCY PERSONNEL AND THE PUBLIC.**

Warnings to Users

Whelen's emergency vehicle warning devices are intended to alert other operators and pedestrians to the presence and operation of emergency vehicles and personnel. However, the use of this or any other Whelen emergency warning device does not guarantee that you will have the right-of-way or that other drivers and pedestrians will properly heed an emergency warning signal. Never assume you have the right-of-way. It is your responsibility to proceed safely before entering an intersection, driving against traffic, responding at a high rate of speed, or walking on or around traffic lanes. Emergency vehicle warning devices should be tested on a daily basis to ensure that they operate properly. When in actual use, the operator must ensure that both visual and audible warnings are not blocked by vehicle components (i.e.: open trunks or compartment doors), people, vehicles, or other obstructions. It is the user's responsibility to understand and obey all laws regarding emergency warning devices. The user should be familiar with all applicable laws and regulations prior to the use of any emergency vehicle warning device. Whelen's audible warning devices are designed to project sound in a forward direction away from the vehicle occupants. However, because sustained periodic exposure to loud sounds can cause hearing loss, all audible warning devices should be installed and operated in accordance with the standards established by the National Fire Protection Association.

Safety First

This document provides all the necessary information to allow your Whelen product to be properly and safely installed. Before beginning the installation and/or operation of your new product, the installation technician and operator must read this manual completely. Important information is contained herein that could prevent serious injury or damage.

⚠ WARNING: This product can expose you to chemicals including Lead which is known to the State of California to cause cancer and birth defects or other reproductive harm. For more information go to www.P65Warnings.ca.gov.

- **Proper installation of this product requires the installer to have a good understanding of automotive electronics, systems and procedures.**
- **Whelen Engineering requires the use of waterproof butt splices and/or connectors if that connector could be exposed to moisture.**
- **Any holes, either created or utilized by this product, should be made both air- and watertight using a sealant recommended by your vehicle manufacturer.**
- **Failure to use specified installation parts and/or hardware will void the product warranty.**
- **If mounting this product requires drilling holes, the installer MUST be sure that no vehicle components or other vital parts could be damaged by the drilling process. Check both sides of the mounting surface before drilling begins. Also de-burr the holes and remove any metal shards or remnants. Install grommets into all wire passage holes.**
- **If this manual states that this product may be mounted with suction cups, magnets, tape or Velcro®, clean the mounting surface with a 50/50 mix of isopropyl alcohol and water and dry thoroughly.**
- **Do not install this product or route any wires in the deployment area of your air bag. Equipment mounted or located in the air bag deployment area will damage or reduce the effectiveness of the air bag, or become a projectile that could cause serious personal injury or death. Refer to your vehicle owner's manual for the air bag deployment area. The User/Installer assumes full responsibility to determine proper mounting location, based on providing ultimate safety to all passengers inside the vehicle.**
- **For this product to operate at optimum efficiency, a good electrical connection to chassis ground must be made. The recommended procedure requires the product ground wire to be connected directly to the NEGATIVE (-) battery post (this does not include products that use cigar power cords).**
- **If this product uses a remote device for activation or control, make sure that this device is located in an area that allows both the vehicle and the device to be operated safely in any driving condition.**
- **Do not attempt to activate or control this device in a hazardous driving situation.**
- **This product contains either strobe light(s), halogen light(s), high-intensity LEDs or a combination of these lights. Do not stare directly into these lights. Momentary blindness and/or eye damage could result.**
- **Use only soap and water to clean the outer lens. Use of other chemicals could result in premature lens cracking (crazing) and discoloration. Lenses in this condition have significantly reduced effectiveness and should be replaced immediately. Inspect and operate this product regularly to confirm its proper operation and mounting condition. Do not use a pressure washer to clean this product.**
- **It is recommended that these instructions be stored in a safe place and referred to when performing maintenance and/or reinstallation of this product.**
- **FAILURE TO FOLLOW THESE SAFETY PRECAUTIONS AND INSTRUCTIONS COULD RESULT IN DAMAGE TO THE PRODUCT OR VEHICLE AND/OR SERIOUS INJURY TO YOU AND YOUR PASSENGERS!**

Selecting a mounting location...

One of the most common places chosen is against the rear wall of the cab. This is a good choice for several reasons, such as good air circulation and heat dissipation.

- **The unit should be mounted on a flat, metal surface to aid heat dissipation. Be sure that this surface is not one that either generates or is exposed to excessive heat during normal operation of the vehicle.**
 - **Do not select a location where the unit will be exposed to potential damage from any unsecured or loose equipment in the vehicle.**
 - **The mounting area should be easily accessible for wiring and service purposes. Be sure that the backside of the proposed mounting surface does not hide any wires, cables, fuel lines, etc., that could be damaged by drilling the mounting holes.**
 - **Be sure the area selected will not allow the unit to be exposed to water! Select a location towards the middle of the cab. Be sure that the mounting location is a minimum of 8" from the cab floor.**
 - **When the best mounting location has been determined, securely fasten the unit to its mounting surface using the supplied hardware.**
1. Position the unit in its proposed mounting location to ensure that it fits properly. With the unit in place, insert an awl or other suitable tool into the mounting hole area of the power supply and scribe the areas that are to be drilled.
 2. Remove the unit from its mounting location and, using a drill bit sized for a #10 sheet metal screw, drill a hole in each of the areas scribed in the previous step.
 3. Return the unit to its mounting location. Using the supplied #10 sheet metal screws, secure it onto its mounting surface.

Wiring...

Power

Install the power pigtail assembly into its receptacle. Using appropriately sized wire, extend these wires from the flasher towards the vehicle battery.

Connect the Negative (-) wire to the NEG (-) battery terminal.

Connect the Positive (+) wire to a 40 Amp fuse block and then to the POS (+) battery terminal. **Do not install the fuse until all the wiring is complete!**

Inputs/Outputs

There are a total of 8 inputs and 8 outputs. Each are programmable through the software interface. Each output is fused at 5 Amps. Do not install fuses larger than 5 amps! In their default configuration, the inputs will operate as follows:

Input #	Result
1	Outputs 1 & 2 will flash SignalAlert 75 (Phase 1)
2	Outputs 3 & 4 will flash SignalAlert 75 (Phase 1)
3	Outputs 5 & 6 will flash SignalAlert 75 (Phase 2)
4	Outputs 7 & 8 will flash SignalAlert 75 (Phase 2)
5	Not used in the default configuration
6*	Not used in the default configuration
7*	Not used in the default configuration
8*	Initiates Low Power mode on Outputs 1 thru 8

*These Inputs are not functional until Input(s) 1, 2, 3, 4 or 5 are active.

Grounds

8 terminals are provided for convenient electrical grounding.

Photocell

If required, a Photocell may be connected to the flasher at the designated location shown.

LED Indicators...

Input Indicators

There is a corresponding Green LED indicator for each input. Each input indicator will light when a signal has been detected at a given input.

Output Indicators

There is a corresponding multi-colored diagnostic LED indicator for each output. The indicator's behavior reflects the state of the output itself.

Green - The indicator will display a Green LED to indicate that its output is active. The Green indicator will flash at approximately the same rate as the pattern being displayed.

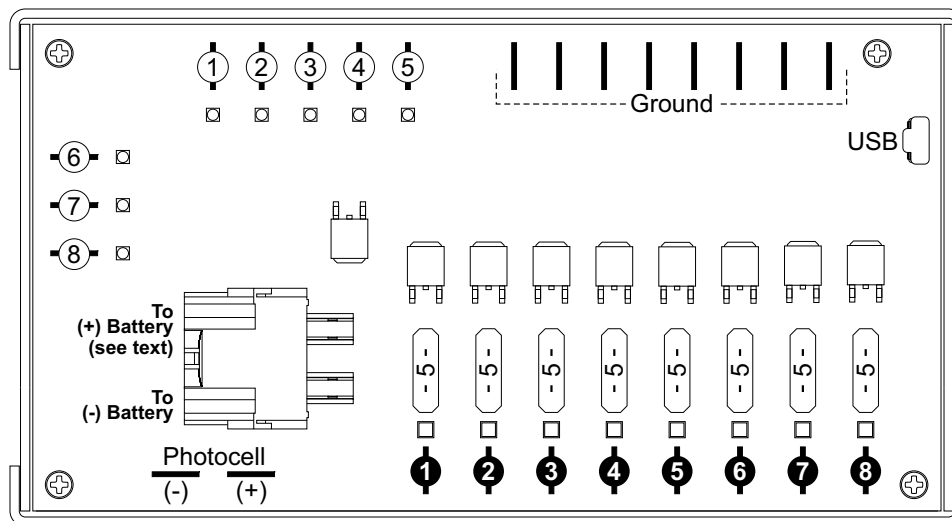
Red (Flashing) - The indicator will display a flashing Red LED when a low current condition (such as an open circuit or failed lighthouse) has been detected.

Red (Steady) - The indicator will display a steady Red LED when a high current condition (such as a short circuit) has been detected.

IMPORTANT! If the diagnostic indicator is displaying a Red LED, either steady or flashing, the cause must be identified and remedied before returning the vehicle to active duty.

USB Port...

The USB port is for use with the programming software.



○ = Input (1 thru 8)

● = Output (1 thru 8)

◻ = Diagnostic Indicator (Input)

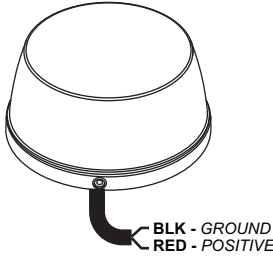
◻ = Diagnostic Indicator (Output)

FRONT OPTIONS:

FRONT LIGHTING OPTIONS FOR THE SYSTEMS COVERED BY THIS MANUAL

ALL WIRES CONNECT DIRECTLY TO FLASHER.

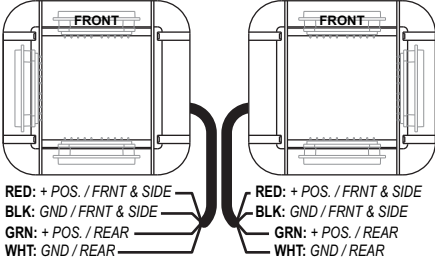
L31 Series Super-LED® Beacon 01-0684467-A6B



Micro Edge® 400 DOT Remote (3 Lt.)

01-06869641A2

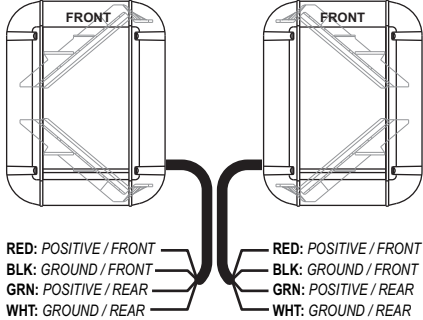
01-06869641A0



Ultra Freedom Micro Edge®

01-0686900-A 2

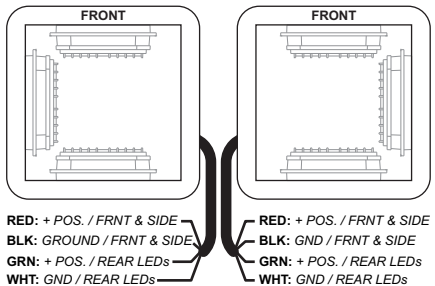
01-0686900-A 3



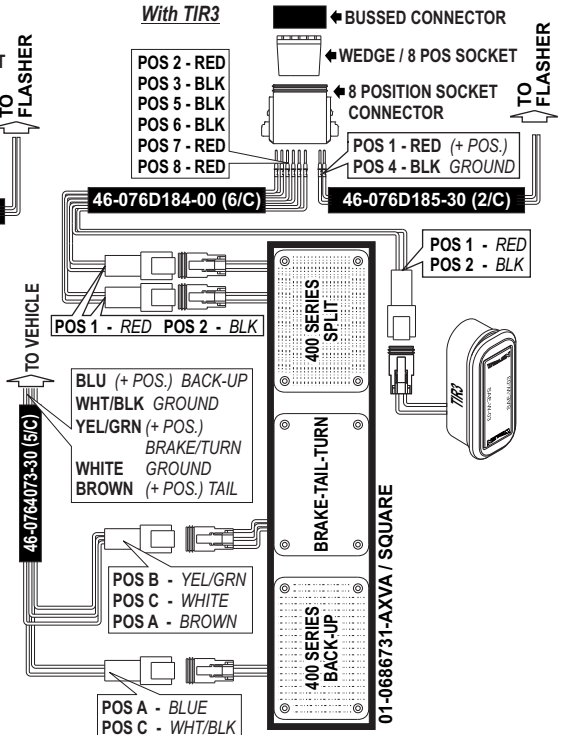
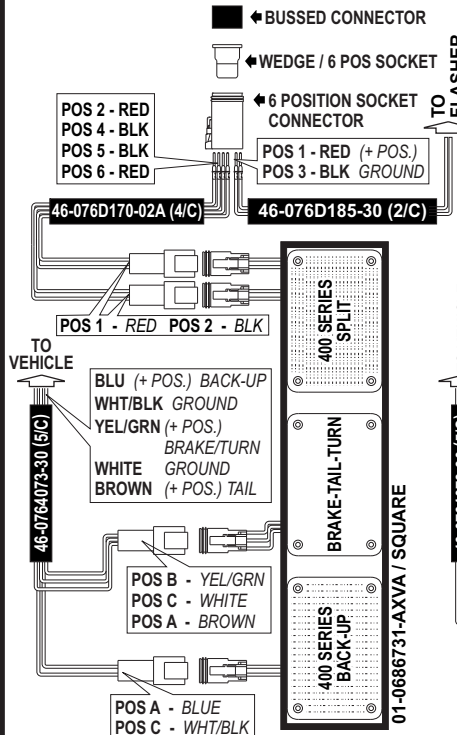
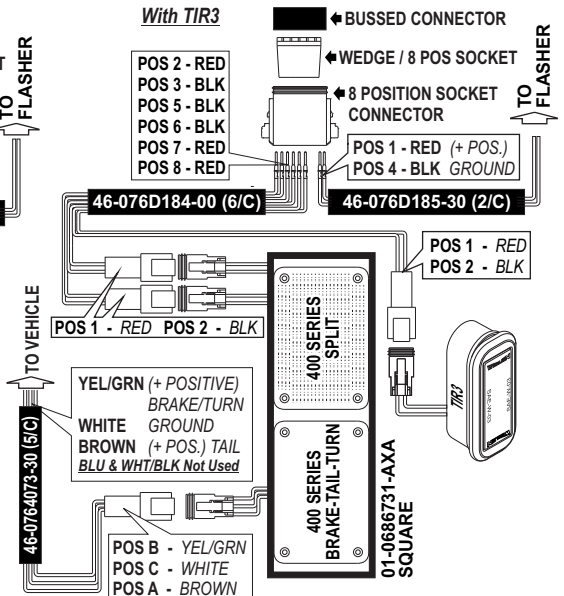
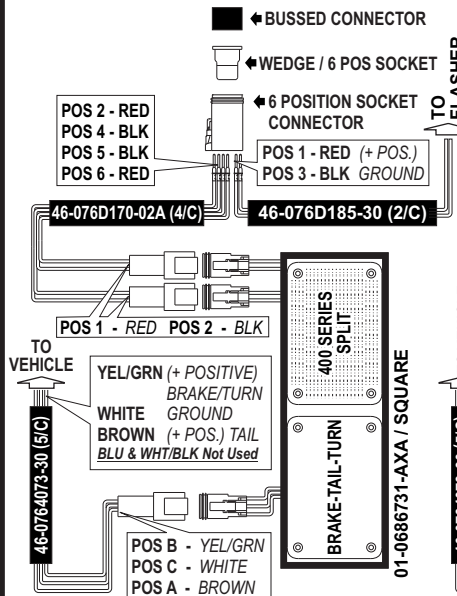
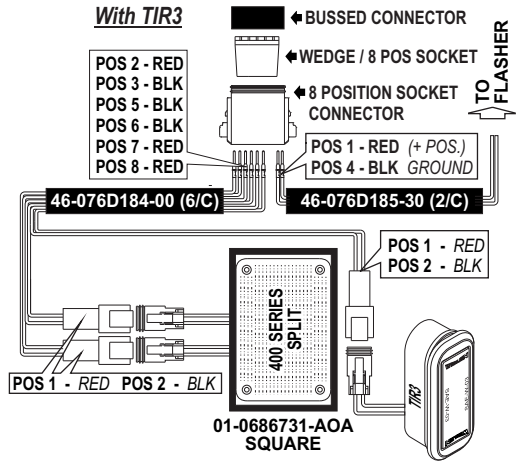
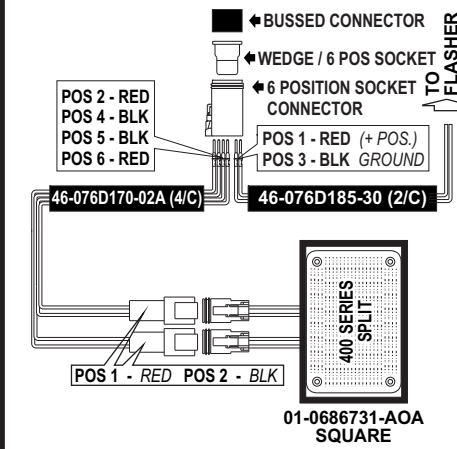
Micro 400 "3" Light DOT 01-06869291

01-0686929-1A1

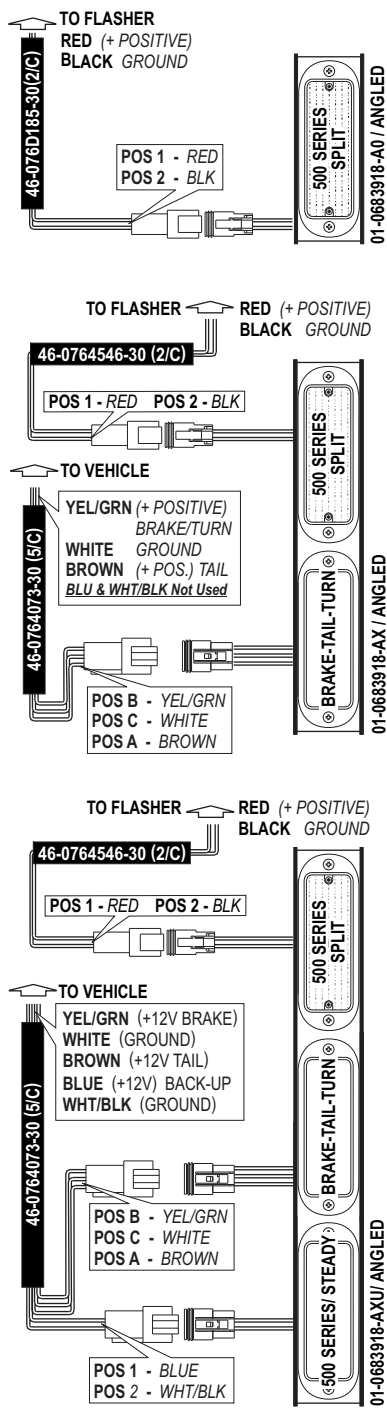
01-0686929-1A2



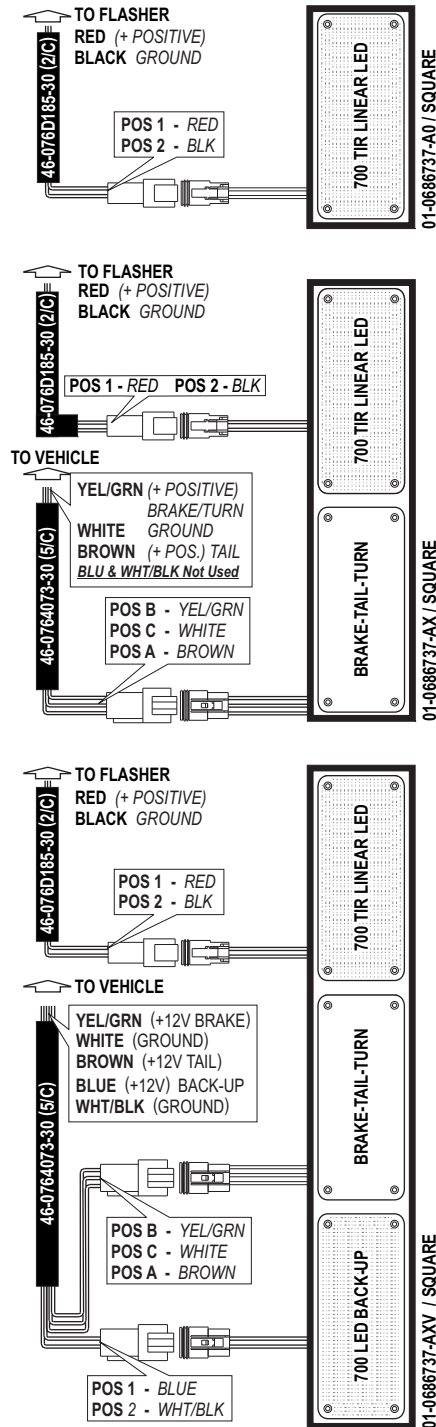
REAR / 400 Series



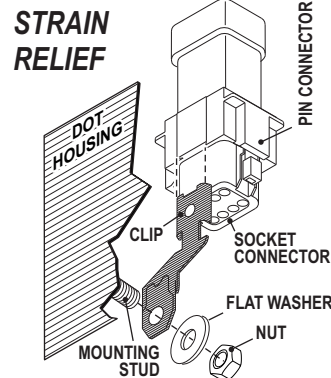
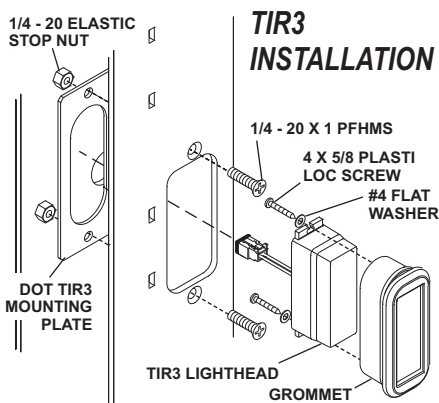
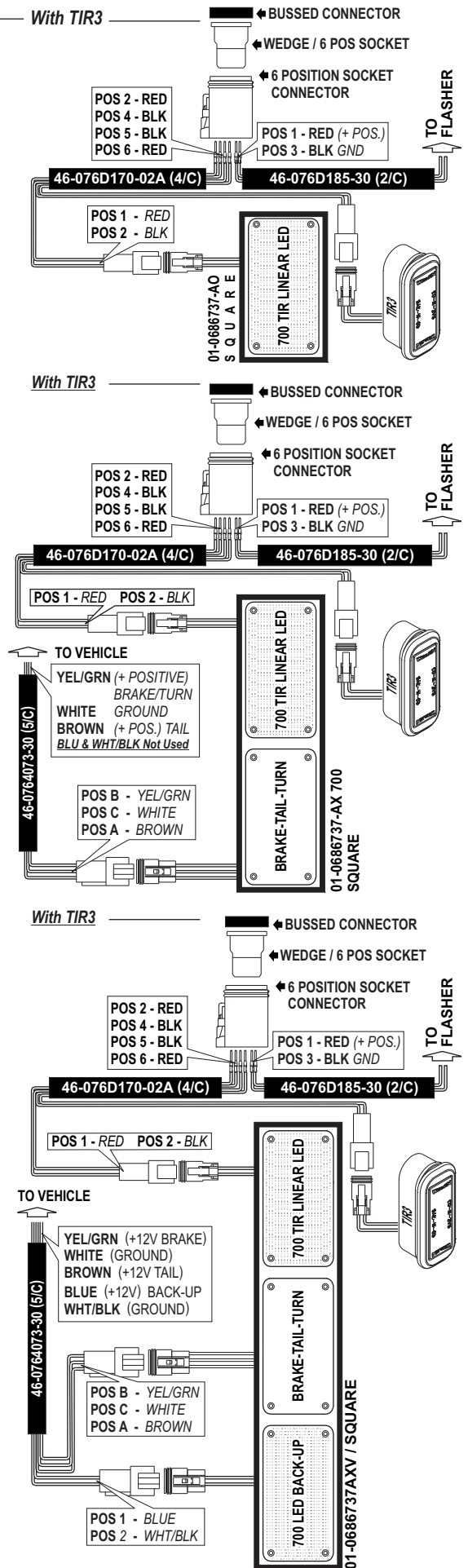
REAR / 500 Series

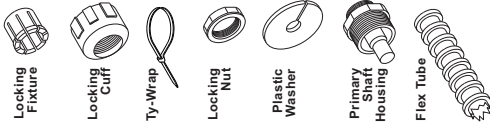


REAR / 700 Series

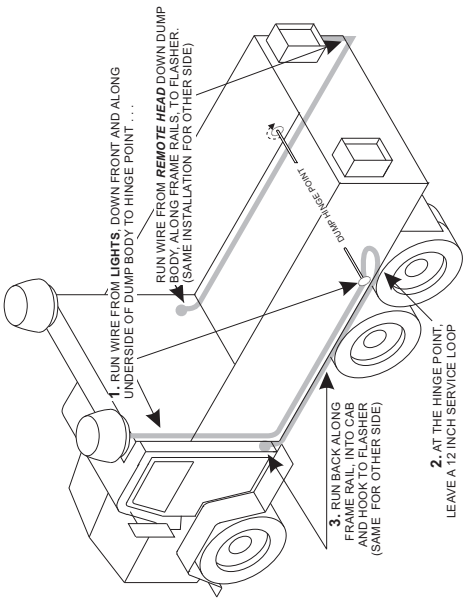
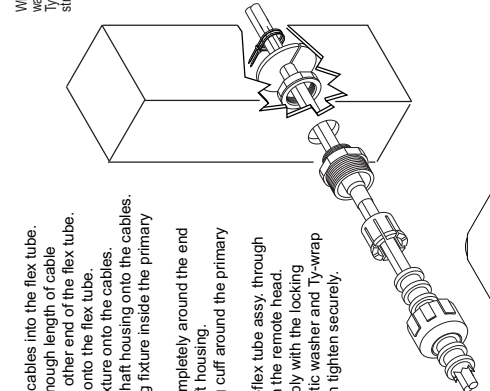
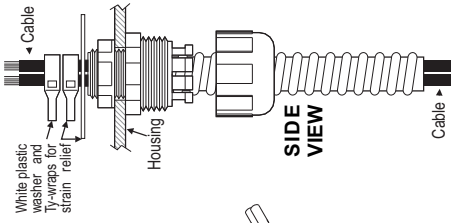


With TIR3





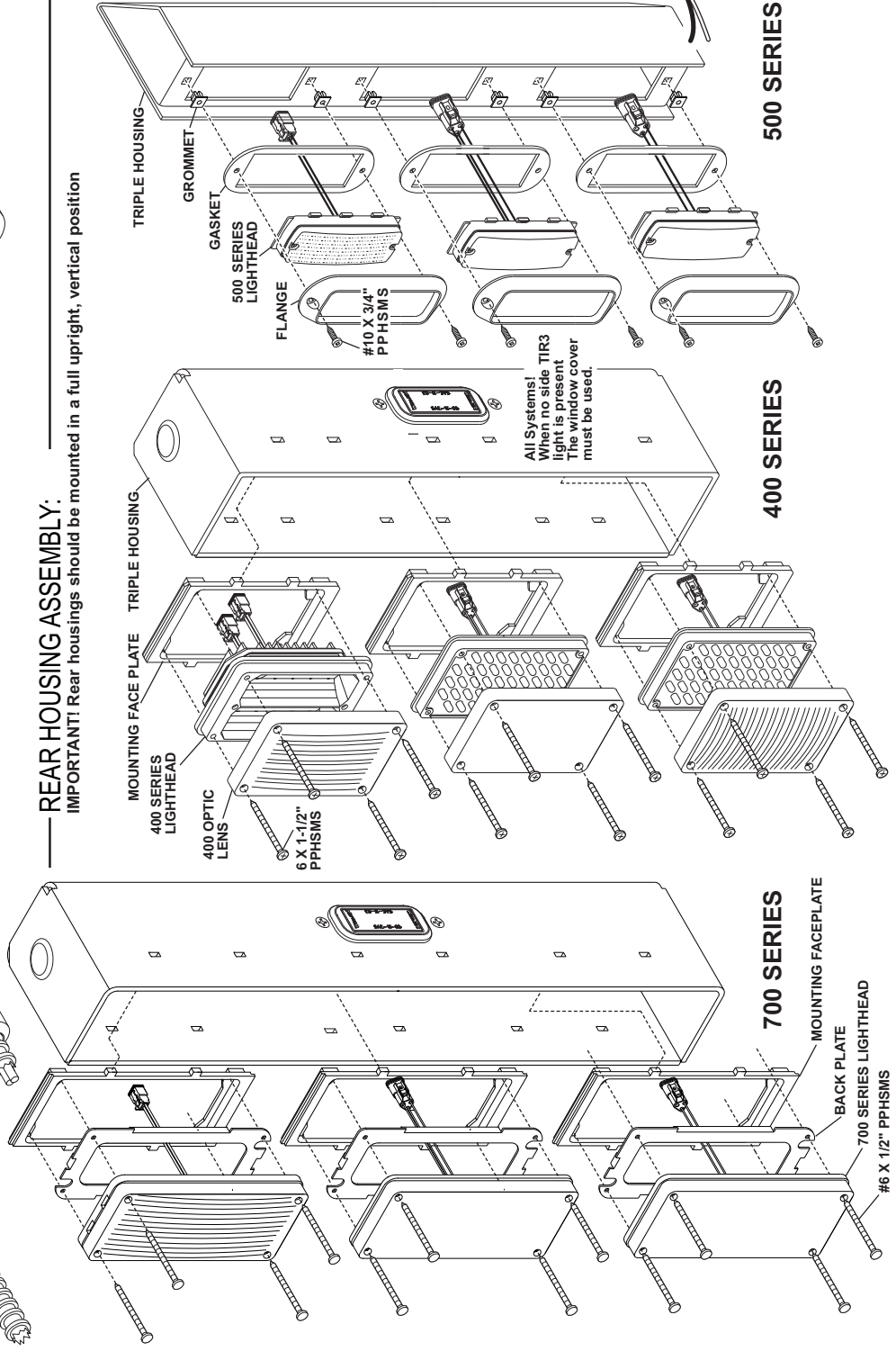
- Flex Tube Assembly:**
1. Insert the harness cables into the flex tube. Be sure there is enough length of cable pulled through the other end of the flex tube.
 2. Fit the locking cuff onto the flex tube.
 3. Slide the locking fixture onto the cables.
 4. Slide the primary shaft housing onto the cables.
 5. Position the locking fixture inside the primary shaft housing.
 6. Fit the flex tube completely around the end of the primary shaft housing.
 7. Tighten the locking cuff around the primary shaft housing.
 8. Insert the harness-flex tube assembly through the wire opening in the remote head.
 9. Secure the assembly with the locking nut and install plastic washer and ty-wrap for strain relief then tighten securely.



IMPORTANT: ALL CAPS MUST BE INSTALLED IN UNUSED HOLES.

REAR HOUSING ASSEMBLY:

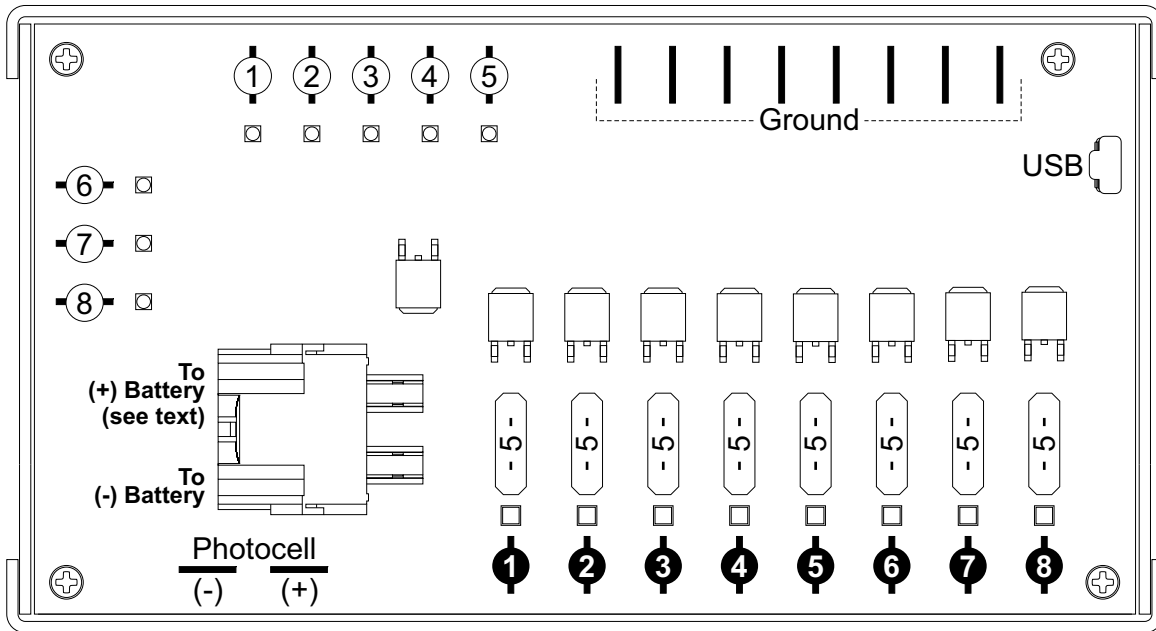
IMPORTANT: Rear housings should be mounted in a full upright, vertical position



All Systems!
When the side TIR3 light is present, the window cover must be used.

Configuration Record:

For future reference, record the destination of each output and input.



○ = Input (1 thru 8)

● = Output (1 thru 8)

Description:	Assigned To:
--------------	--------------

Output #1	_____
Output #2	_____
Output #3	_____
Output #4	_____
Output #5	_____
Output #6	_____
Output #7	_____
Output #8	_____
Input #1	_____
Input #2	_____
Input #3	_____
Input #4	_____
Input #5	_____
Input #6	_____
Input #7	_____
Input #8	_____

Wire Gauge Calculation Chart

Maximum Current Draw Through The Wire

Wire Gauge	5 Amps	10 Amps	15 Amps	20 Amps	25 Amps	30 Amps	35 Amps	40 Amps	45 Amps	50 Amps
22 AWG	6 Feet	3 Feet	Insufficient	Insufficient	Insufficient	Insufficient	Insufficient	Insufficient	Insufficient	Insufficient
20 AWG	9.5 Feet	5 Feet	3 Feet	Insufficient	Insufficient	Insufficient	Insufficient	Insufficient	Insufficient	Insufficient
18 AWG	15 Feet	7.5 Feet	5 Feet	4 Feet	3 Feet	Insufficient	Insufficient	Insufficient	Insufficient	Insufficient
16 AWG	24.5 Feet	12 Feet	8 Feet	6 Feet	5 Feet	4 Feet	3.5 Feet	3 Feet	Insufficient	Insufficient
14 AWG	39 Feet	19.5 Feet	13 Feet	9.5 Feet	8 Feet	6.5 Feet	5.5 Feet	5 Feet	4.5 Feet	4 Feet
12 AWG	62 Feet	31 Feet	20.5 Feet	15.5 Feet	12.5 Feet	10.5 Feet	9 Feet	7.5 Feet	7 Feet	6 Feet
10 AWG	98 Feet	49 Feet	32.5 Feet	24.5 Feet	19.5 Feet	16.5 Feet	14 Feet	12.5 Feet	11 Feet	10 Feet
8 AWG	156 Feet	78 Feet	52 Feet	39 Feet	31 Feet	26 Feet	22.5 Feet	19.5 Feet	17.5 Feet	15.5 Feet
6 AWG	248.5 Feet	124 Feet	82.5 Feet	62 Feet	49.5 Feet	41.5 Feet	35.5 Feet	31 Feet	27.5 Feet	25 Feet
4 AWG	395 Feet	197.5 Feet	131 Feet	98.5 Feet	79 Feet	66 Feet	56.5 Feet	49.5 Feet	44 Feet	39.5 Feet
2 AWG	629 Feet	314 Feet	209 Feet	157 Feet	125.5 Feet	104.5 Feet	89.5 Feet	78.5 Feet	69.5 Feet	63 Feet

Maximum Current Draw Through The Wire

Wire Gauge	55 Amps	60 Amps	65 Amps	70 Amps	75 Amps	80 Amps	85 Amps	90 Amps	95 Amps	100 Amps
22 AWG	Insufficient	Insufficient	Insufficient	Insufficient	Insufficient	Insufficient	Insufficient	Insufficient	Insufficient	Insufficient
20 AWG	Insufficient	Insufficient	Insufficient	Insufficient	Insufficient	Insufficient	Insufficient	Insufficient	Insufficient	Insufficient
18 AWG	Insufficient	Insufficient	Insufficient	Insufficient	Insufficient	Insufficient	Insufficient	Insufficient	Insufficient	Insufficient
16 AWG	Insufficient	Insufficient	Insufficient	Insufficient	Insufficient	Insufficient	Insufficient	Insufficient	Insufficient	Insufficient
14 AWG	3.5 Feet	3 Feet	3 Feet	3 Feet	Insufficient	Insufficient	Insufficient	Insufficient	Insufficient	Insufficient
12 AWG	5.5 Feet	5 Feet	5 Feet	4.5 Feet	4 Feet	4 Feet	3.5 Feet	3.5 Feet	3.5 Feet	3 Feet
10 AWG	9 Feet	8 Feet	7.5 Feet	7 Feet	6.5 Feet	6 Feet	6 Feet	5.5 Feet	5 Feet	5 Feet
8 AWG	14 Feet	13 Feet	12 Feet	11 Feet	10.5 Feet	10 Feet	9 Feet	8.5 Feet	8 Feet	8 Feet
6 AWG	22.5 Feet	20.5 Feet	19 Feet	17.5 Feet	16.5 Feet	15.5 Feet	14.5 Feet	14 Feet	13 Feet	12.5 Feet
4 AWG	36 Feet	33 Feet	30.5 Feet	28 Feet	26.5 Feet	24.5 Feet	23 Feet	22 Feet	21 Feet	19.5 Feet
2 AWG	57 Feet	52.5 Feet	48.5 Feet	45 Feet	42 Feet	39 Feet	37 Feet	35 Feet	33 Feet	31.5 Feet