

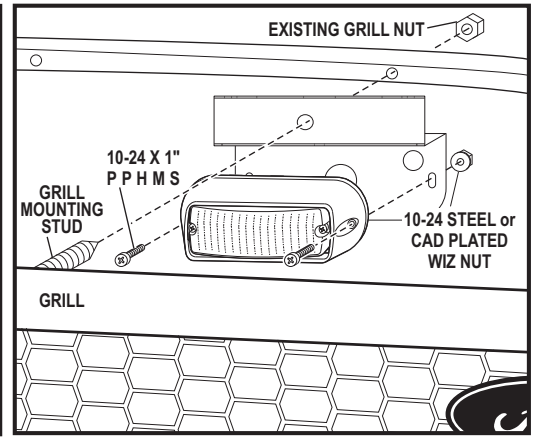
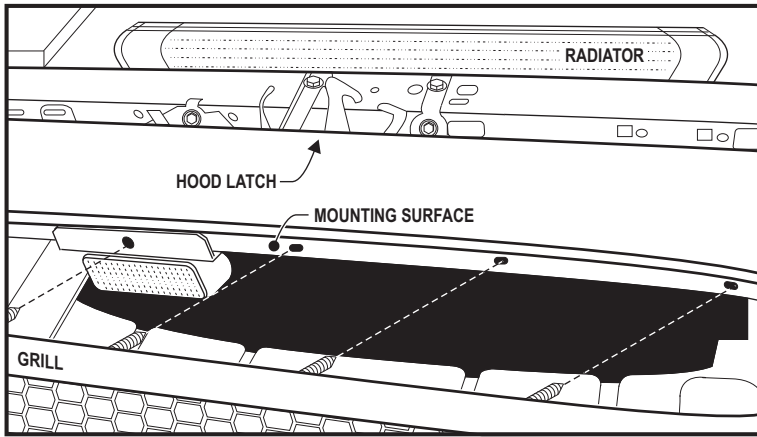
WHELEN[®]

ENGINEERING COMPANY INC.

51 Winthrop Road,
Chester, Connecticut 06412-0684
Phone: (860) 526-9504

Installation Guide:
500 Series TIR6™ Super-LED® Lighthead
Mounting Bracket (92-present Crown Victoria)

Internet: www.whelen.com
Sales e-mail: autosale@whelen.com
Customer Service e-mail: custserv@whelen.com



1. Following the manufacturers instructions, remove the vehicle grill. The lighthead bracket will mount to the flat surface area that the grill mounts to. You will secure the bracket with one of the grill's mounting studs and its nut.
2. Mount the lighthead to the mounting bracket. Line the bracket (with lighthead) up with one of the holes that the grill mounts to. As you remount the grill, insert the selected stud through the brackets mounting hole as shown.
NOTE: The holes on the bracket that you mount the lighthead to are made so that you may level the lighthead after mounting.
3. After making sure that the lighthead is level, replace the nuts that secure the grill (and lighthead). Extend the lighthead wires to your power source. **NOTE: Refer to your lighthead manual for all wiring, lighthead specifications, and safety information.**

©2004 Whelen Engineering Company Inc.
Form No.13884A (062807)

For warranty information regarding this product, visit www.whelen.com/warranty

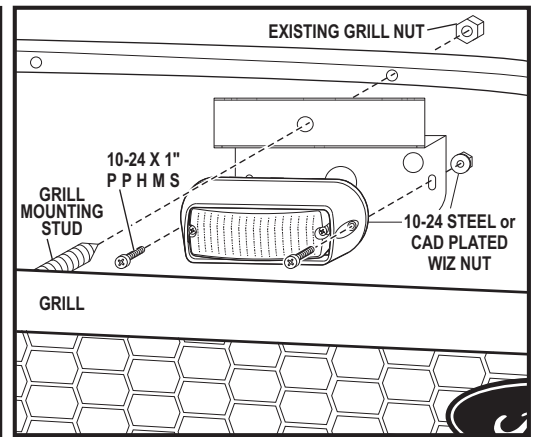
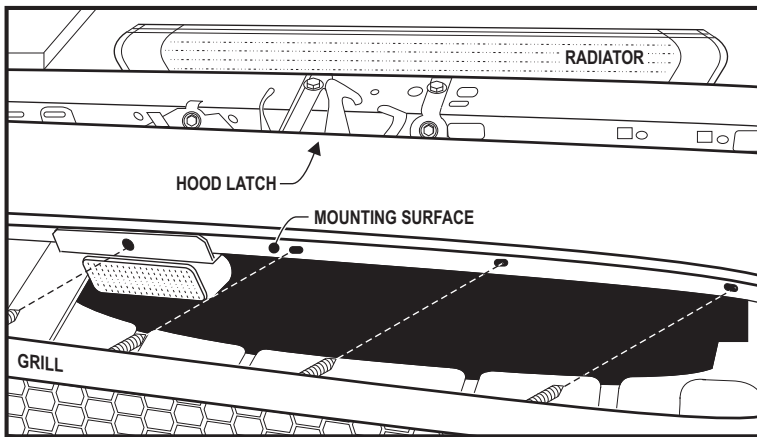
WHELEN[®]

ENGINEERING COMPANY INC.

51 Winthrop Road,
Chester, Connecticut 06412-0684
Phone: (860) 526-9504

Installation Guide:
500 Series TIR6™ Super-LED® Lighthead
Mounting Bracket (92-present Crown Victoria)

Internet: www.whelen.com
Sales e-mail: autosale@whelen.com
Customer Service e-mail: custserv@whelen.com



1. Following the manufacturers instructions, remove the vehicle grill. The lighthead bracket will mount to the flat surface area that the grill mounts to. You will secure the bracket with one of the grill's mounting studs and its nut.
2. Mount the lighthead to the mounting bracket. Line the bracket (with lighthead) up with one of the holes that the grill mounts to. As you remount the grill, insert the selected stud through the brackets mounting hole as shown.
NOTE: The holes on the bracket that you mount the lighthead to are made so that you may level the lighthead after mounting.
3. After making sure that the lighthead is level, replace the nuts that secure the grill (and lighthead). Extend the lighthead wires to your power source. **NOTE: Refer to your lighthead manual for all wiring, lighthead specifications, and safety information.**

©2004 Whelen Engineering Company Inc.
Form No.13884A (062807)

For warranty information regarding this product, visit www.whelen.com/warranty