

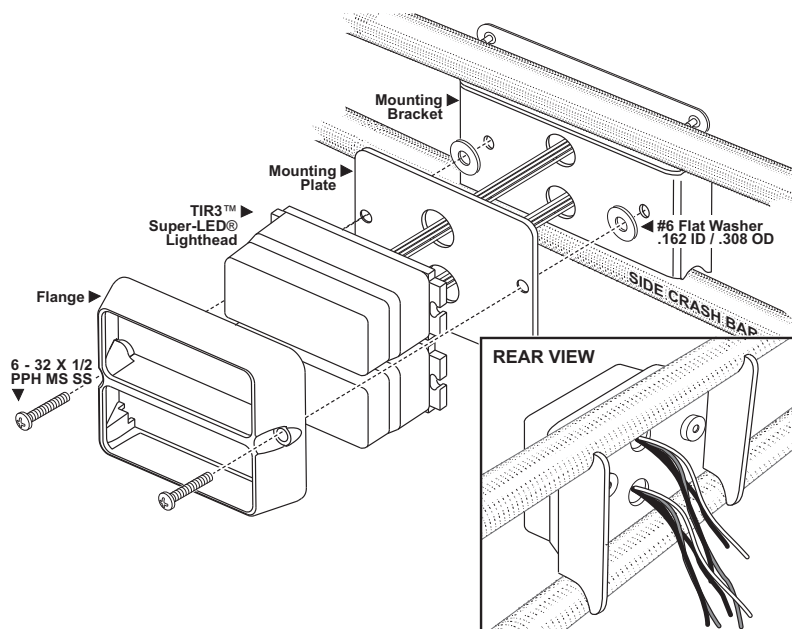
WHELEN[®]

ENGINEERING COMPANY INC.

51 Winthrop Road,
Chester, Connecticut 06412-0684
Phone: (860) 526-9504

Installation Guide: TIR3™ Super-LED® Lighthood Bracket Model RBKTHD2 Side Crash Bar, Harley-Davidson® w/State Police Package

Internet: www.whelen.com
Sales e-mail: autosale@whelen.com
Customer Service e-mail: custserv@whelen.com



©2004 Whelen Engineering Company Inc.
Form No.13935B (060707)

For warranty information regarding this product, visit www.whelen.com/warranty

Installation:

This bracket mounts to the side crash bar of a Harley-Davidson motorcycle with the State Police Package.

1. Loosely assemble the flange, lighthoods, mounting gasket and mounting plate and insert the two mounting screws where shown.
2. Place the mounting bracket onto the crash bar and secure it by threading the screws through the two washers and into the threaded holes in the bracket.

WARNING! All customer supplied wires that connect to the positive terminal of the battery must be sized to supply at least 125% of the maximum operating current and FUSED at the battery to carry that load. **DO NOT USE CIRCUIT BREAKERS WITH THIS PRODUCT!**

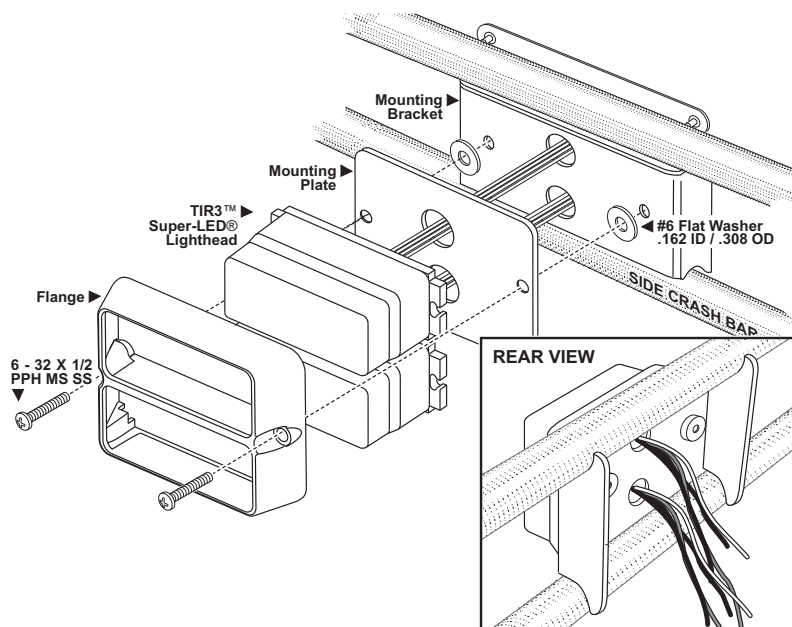
WHELEN[®]

ENGINEERING COMPANY INC.

51 Winthrop Road,
Chester, Connecticut 06412-0684
Phone: (860) 526-9504

Installation Guide: TIR3™ Super-LED® Lighthood Bracket Model RBKTHD2 Side Crash Bar, Harley-Davidson® w/State Police Package

Internet: www.whelen.com
Sales e-mail: autosale@whelen.com
Customer Service e-mail: custserv@whelen.com



©2004 Whelen Engineering Company Inc.
Form No.13935B (060707)

For warranty information regarding this product, visit www.whelen.com/warranty

Installation:

This bracket mounts to the side crash bar of a Harley-Davidson motorcycle with the State Police Package.

1. Loosely assemble the flange, lighthoods, mounting gasket and mounting plate and insert the two mounting screws where shown.
2. Place the mounting bracket onto the crash bar and secure it by threading the screws through the two washers and into the threaded holes in the bracket.

WARNING! All customer supplied wires that connect to the positive terminal of the battery must be sized to supply at least 125% of the maximum operating current and FUSED at the battery to carry that load. **DO NOT USE CIRCUIT BREAKERS WITH THIS PRODUCT!**