

# WHELEN<sup>®</sup>

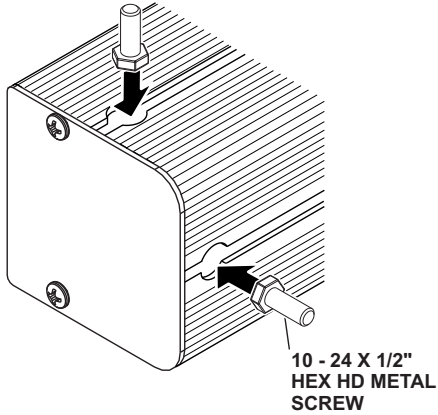
ENGINEERING COMPANY INC.

51 Winthrop Road,  
Chester, Connecticut 06412-0684  
Phone: (860) 526-9504

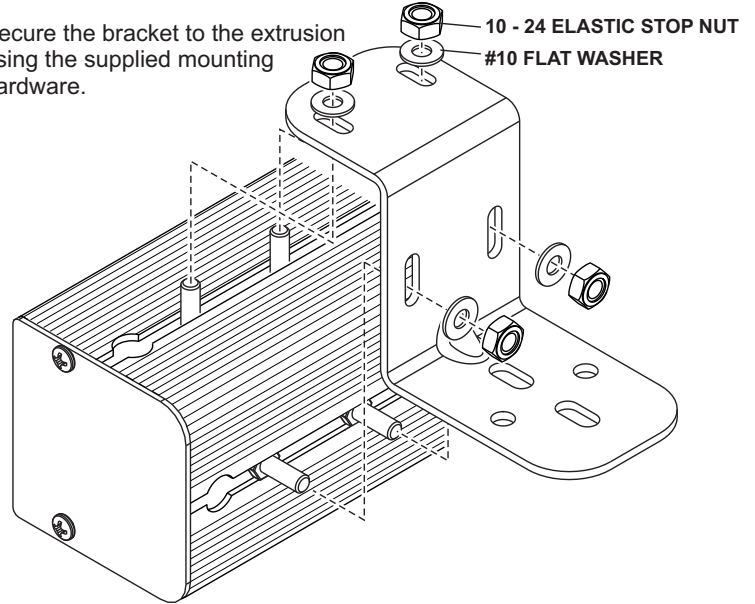
Installation Guide:  
Traffic Advisor™ Mounting Bracket  
Model: TANBKT1

Internet: [www.whelen.com](http://www.whelen.com)  
Sales e-mail: [autosale@whelen.com](mailto:autosale@whelen.com)  
Customer Service e-mail: [custserv@whelen.com](mailto:custserv@whelen.com)

1. Insert the mounting bolts into the opening in the extrusion and slide them into position.



2. Secure the bracket to the extrusion using the supplied mounting hardware.



©2012 Whelen Engineering Company Inc.  
Form No.14611 (080112)

For warranty information regarding this product, visit [www.whelen.com/warranty](http://www.whelen.com/warranty)

# WHELEN<sup>®</sup>

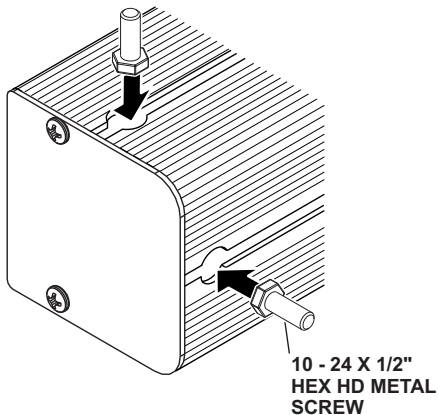
ENGINEERING COMPANY INC.

51 Winthrop Road,  
Chester, Connecticut 06412-0684  
Phone: (860) 526-9504

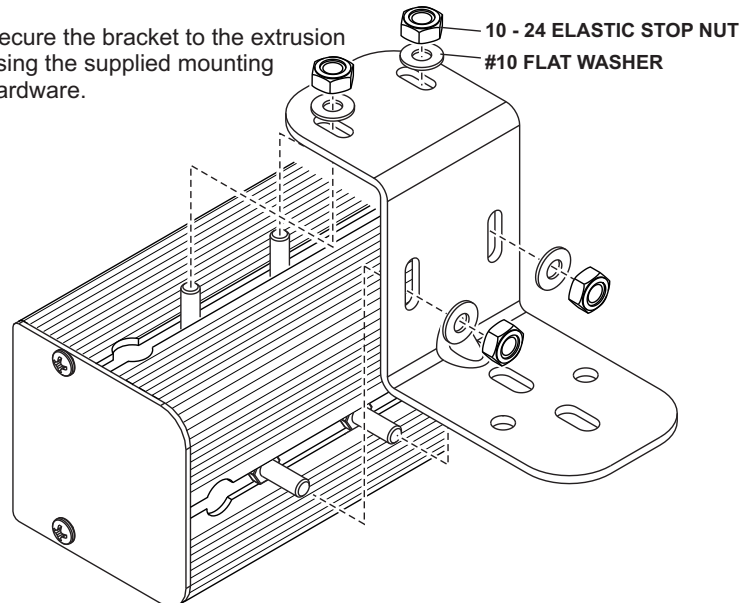
Installation Guide:  
Traffic Advisor™ Mounting Bracket  
Model: TANBKT1

Internet: [www.whelen.com](http://www.whelen.com)  
Sales e-mail: [autosale@whelen.com](mailto:autosale@whelen.com)  
Customer Service e-mail: [custserv@whelen.com](mailto:custserv@whelen.com)

1. Insert the mounting bolts into the opening in the extrusion and slide them into position.

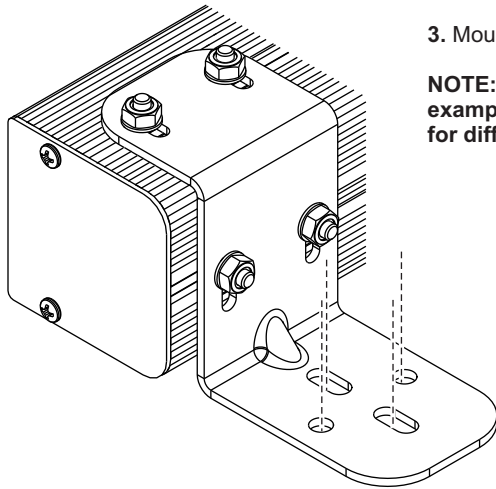


2. Secure the bracket to the extrusion using the supplied mounting hardware.



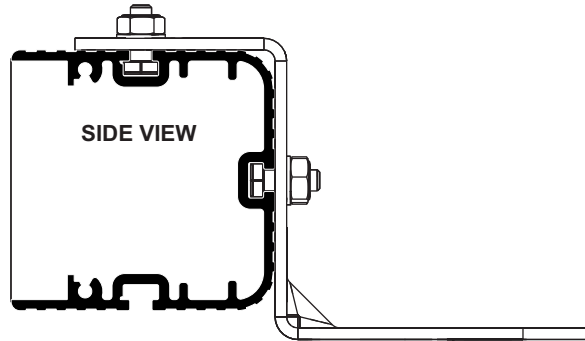
©2012 Whelen Engineering Company Inc.  
Form No.14611 (080112)

For warranty information regarding this product, visit [www.whelen.com/warranty](http://www.whelen.com/warranty)



3. Mount the bracket(s) to the vehicle using customer supplied hardware.

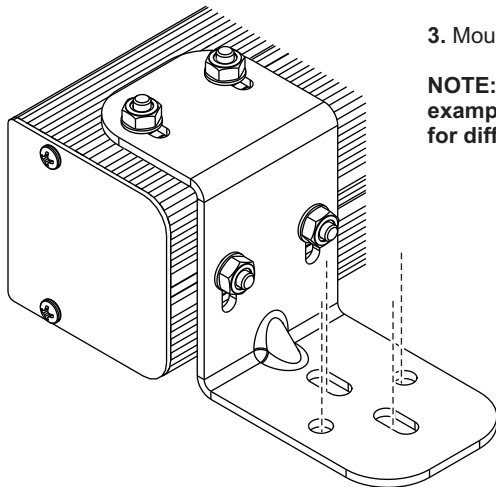
**NOTE:** The bracket is shown here mounted toward the outside of the extrusion as one example. Brackets can be positioned at any location along the length of the extrusion for different applications.



**IMPORTANT!** It is the responsibility of the installation technician to make sure that the installation and operation of this product will not interfere with or compromise the operation or efficiency of any vehicle equipment!

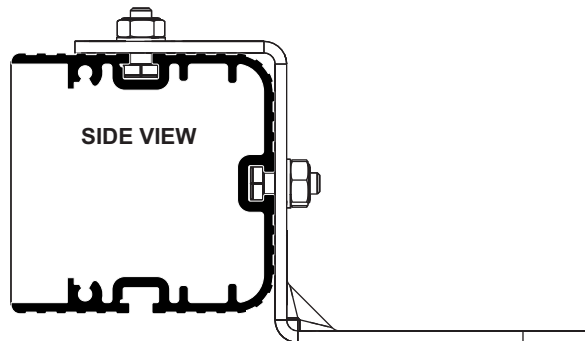
**IMPORTANT!** Permanent mounting of this product will require drilling. It is absolutely necessary to make sure that no other vehicle components could be damaged by this process. Check both sides of the mounting surface before starting. If damage is likely, select a different mounting location.

**IMPORTANT!** Before returning this vehicle to active service, visually confirm the proper operation of this product, as well as all vehicle components/equipment.



3. Mount the bracket(s) to the vehicle using customer supplied hardware.

**NOTE:** The bracket is shown here mounted toward the outside of the extrusion as one example. Brackets can be positioned at any location along the length of the extrusion for different applications.



**IMPORTANT!** It is the responsibility of the installation technician to make sure that the installation and operation of this product will not interfere with or compromise the operation or efficiency of any vehicle equipment!

**IMPORTANT!** Permanent mounting of this product will require drilling. It is absolutely necessary to make sure that no other vehicle components could be damaged by this process. Check both sides of the mounting surface before starting. If damage is likely, select a different mounting location.

**IMPORTANT!** Before returning this vehicle to active service, visually confirm the proper operation of this product, as well as all vehicle components/equipment.