

WHELEN[®]

ENGINEERING COMPANY INC.

51 Winthrop Road
Chester, Connecticut 06412-0684
Phone: (860) 526-9504
Internet: www.whelen.com
Sales e-mail: autosale@whelen.com
Customer Service e-mail: custserv@whelen.com

Installation Guide:
Justice[®] Competitor[™] NFA Lightbar
Models JE2NFA, JE0NFA, JE2QNFA & JE0QNFA

Warnings to Installers

Whelen's emergency vehicle warning devices must be properly mounted and wired in order to be effective and safe. Read and follow all of Whelen's written instructions when installing or using this device. Emergency vehicles are often operated under high speed stressful conditions which must be accounted for when installing all emergency warning devices. Controls should be placed within convenient reach of the operator so that they can operate the system without taking their eyes off the roadway. Emergency warning devices can require high electrical voltages and/or currents. Properly protect and use caution around live electrical connections. Grounding or shorting of electrical connections can cause high current arcing, which can cause personal injury and/or vehicle damage, including fire. Many electronic devices used in emergency vehicles can create or be affected by electromagnetic interference. Therefore, after installation of any electronic device it is necessary to test all electronic equipment simultaneously to insure that they operate free of interference from other components within the vehicle. Never power emergency warning equipment from the same circuit or share the same grounding circuit with radio communication equipment. All devices should be mounted in accordance with the manufacturer's instructions and securely fastened to vehicle elements of sufficient strength to withstand the forces applied to the device. Driver and/or passenger air bags (SRS) will affect the way equipment should be mounted. This device should be mounted by permanent installation and within the zones specified by the vehicle manufacturer, if any. Any device mounted in the deployment area of an air bag will damage or reduce the effectiveness of the air bag and may damage or dislodge the device. Installer must be sure that this device, its mounting hardware and electrical supply wiring does not interfere with the air bag or the SRS wiring or sensors. Mounting the unit inside the vehicle by a method other than permanent installation is not recommended as unit may become dislodged during swerving; sudden braking or collision. Failure to follow instructions can result in personal injury. Whelen assumes no liability for any loss resulting from the use of this warning device. **PROPER INSTALLATION COMBINED WITH OPERATOR TRAINING IN THE PROPER USE OF EMERGENCY WARNING DEVICES IS ESSENTIAL TO INSURE THE SAFETY OF EMERGENCY PERSONNEL AND THE PUBLIC.**

Warnings to Users

Whelen's emergency vehicle warning devices are intended to alert other operators and pedestrians to the presence and operation of emergency vehicles and personnel. However, the use of this or any other Whelen emergency warning device does not guarantee that you will have the right-of-way or that other drivers and pedestrians will properly heed an emergency warning signal. Never assume you have the right-of-way. It is your responsibility to proceed safely before entering an intersection, driving against traffic, responding at a high rate of speed, or walking on or around traffic lanes. Emergency vehicle warning devices should be tested on a daily basis to ensure that they operate properly. When in actual use, the operator must ensure that both visual and audible warnings are not blocked by vehicle components (i.e.: open trunks or compartment doors), people, vehicles, or other obstructions. It is the user's responsibility to understand and obey all laws regarding emergency warning devices. The user should be familiar with all applicable laws and regulations prior to the use of any emergency vehicle warning device. Whelen's audible warning devices are designed to project sound in a forward direction away from the vehicle occupants. However, because sustained periodic exposure to loud sounds can cause hearing loss, all audible warning devices should be installed and operated in accordance with the standards established by the National Fire Protection Association.

Safety First

This document provides all the necessary information to allow your Whelen product to be properly and safely installed. Before beginning the installation and/or operation of your new product, the installation technician and operator must read this manual completely. Important information is contained herein that could prevent serious injury or damage.

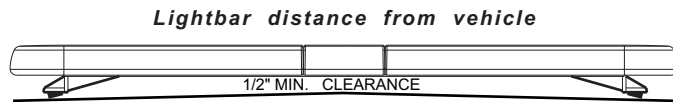
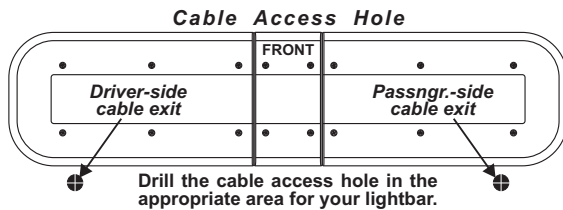
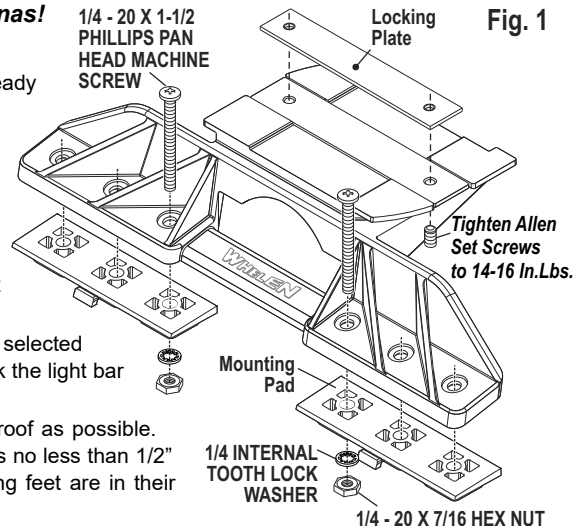
⚠ WARNING: This product can expose you to chemicals including Methylene Chloride which is known to the State of California to cause cancer, and Bisphenol A, which is known to the State of California to cause birth defects or other reproductive harm. For more information go to www.P65Warnings.ca.gov.

- Proper installation of this product requires the installer to have a good understanding of automotive electronics, systems and procedures.
- Whelen Engineering requires the use of waterproof butt splices and/or connectors if that connector could be exposed to moisture.
- Any holes, either created or utilized by this product, should be made both air- and watertight using a sealant recommended by your vehicle manufacturer.
- Failure to use specified installation parts and/or hardware will void the product warranty.
- If mounting this product requires drilling holes, the installer **MUST** be sure that no vehicle components or other vital parts could be damaged by the drilling process. Check both sides of the mounting surface before drilling begins. Also de-burr the holes and remove any metal shards or remnants. Install grommets into all wire passage holes.
- If this manual states that this product may be mounted with suction cups, magnets, tape or Velcro[®], clean the mounting surface with a 50/50 mix of isopropyl alcohol and water and dry thoroughly.
- Do not install this product or route any wires in the deployment area of your air bag. Equipment mounted or located in the air bag deployment area will damage or reduce the effectiveness of the air bag, or become a projectile that could cause serious personal injury or death. Refer to your vehicle owner's manual for the air bag deployment area. The User/Installer assumes full responsibility to determine proper mounting location, based on providing ultimate safety to all passengers inside the vehicle.
- For this product to operate at optimum efficiency, a good electrical connection to chassis ground must be made. The recommended procedure requires the product ground wire to be connected directly to the **NEGATIVE (-)** battery post (this does not include products that use cigar power cords).
- If this product uses a remote device for activation or control, make sure that this device is located in an area that allows both the vehicle and the device to be operated safely in any driving condition.
- Do not attempt to activate or control this device in a hazardous driving situation.
- This product contains either strobe light(s), halogen light(s), high-intensity LEDs or a combination of these lights. Do not stare directly into these lights. Momentary blindness and/or eye damage could result.
- Use only soap and water to clean the outer lens. Use of other chemicals could result in premature lens cracking (crazing) and discoloration. Lenses in this condition have significantly reduced effectiveness and should be replaced immediately. Inspect and operate this product regularly to confirm its proper operation and mounting condition. Do not use a pressure washer to clean this product.
- It is recommended that these instructions be stored in a safe place and referred to when performing maintenance and/or reinstallation of this product.
- **FAILURE TO FOLLOW THESE SAFETY PRECAUTIONS AND INSTRUCTIONS COULD RESULT IN DAMAGE TO THE PRODUCT OR VEHICLE AND/OR SERIOUS INJURY TO YOU AND YOUR PASSENGERS!**

IMPORTANT! The lightbar should be a minimum of 16" from any radio antennas!

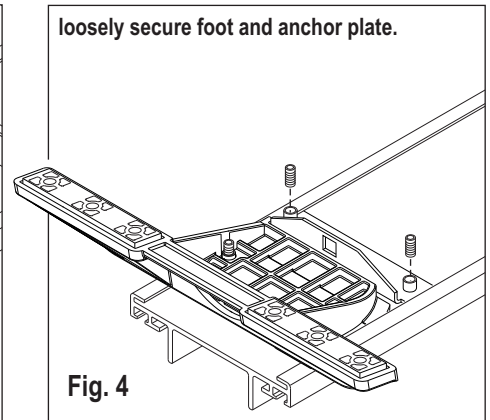
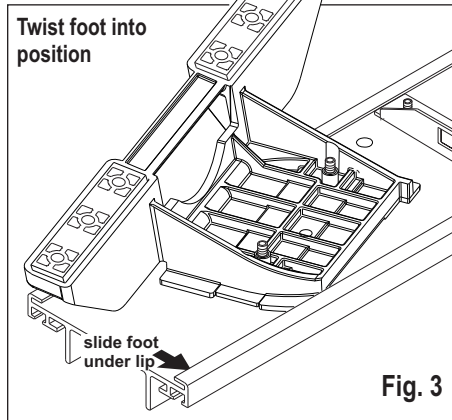
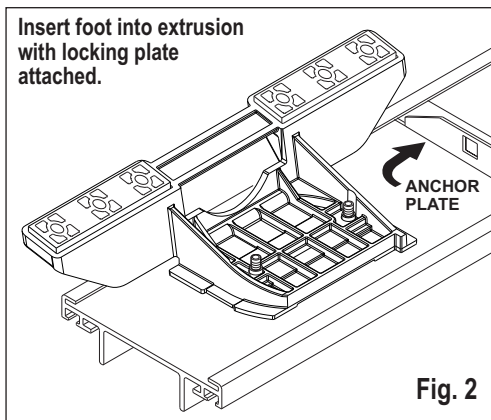
Permanent Mounting:

1. Locate the mounting foot and locking plate included with your lightbar. If not already present, install the locking plate onto the mounting foot using the supplied allen set screws (Fig. 1).
2. Flip the lightbar upside-down to expose the bottom of the extrusion and slide the anchor plate onto the extrusion (Fig. 2).
3. Place the mounting foot into the extrusion and rotate the foot so that the top of the foot swings into position under the lips in the extrusion (Fig. 3).
4. Repeat this procedure for the remaining mounting foot and return the lightbar to its right side-up position.
5. Position the lightbar onto the vehicle roof in the desired mounting location. One often selected location is directly above the B-pillars. This area is the strongest part of the roof. Check the light bar cable exit location to be sure that the lightbar is facing the proper direction.
6. Adjust the two mounting feet outwards so that they are as close to the edge of the roof as possible. Make sure that both mounting feet are in full contact with the roof. Be sure that there is no less than 1/2" clearance between the roof and the lightbar at their closest point. When the mounting feet are in their proper position, lightly tighten the mounting foot allen head set screws.
7. Turn the lightbar upside down and firmly tighten all of the set screws then slide the anchor plate up to the mounting foot and tighten the anchor plate set screws (Fig.4) to 14-16 In. Lbs.
8. Place the lightbar in its final mounting position on the vehicle, mark the mounting hole locations off onto the mounting surface, remove the lightbar and drill the mounting holes.



IMPORTANT: For strap mounting, be sure you have the right sized lightbar for your vehicle. The bar should be approximately the same width as the vehicle roof. If too large or small it will not mount properly and may come loose during driving.

NOTE: Unless otherwise specified, the lightbar mounting feet must be sitting as close to the edge of the roof as possible and in full contact with the roof and not be hanging off the edge.



9. Place the lightbar back onto the vehicle lined up with the mounting holes and secure the mounting feet to the vehicle using the supplied hardware.

Caution: Permanent mounting of this product will require drilling. It is absolutely necessary to make sure that no other vehicle components could be damaged by this process. Check both sides of the mounting surface before starting. If damage is likely, select a different mounting location.

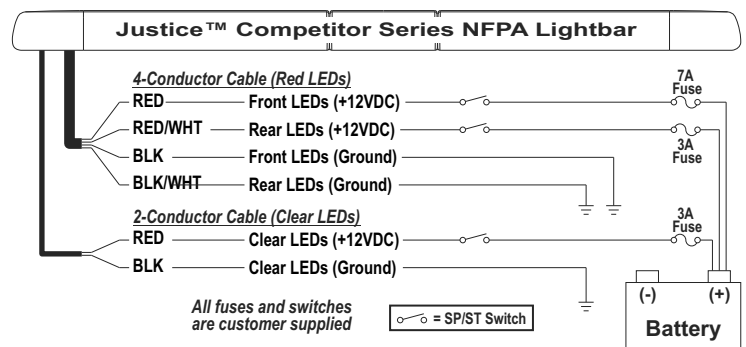
Lightbar Operation:

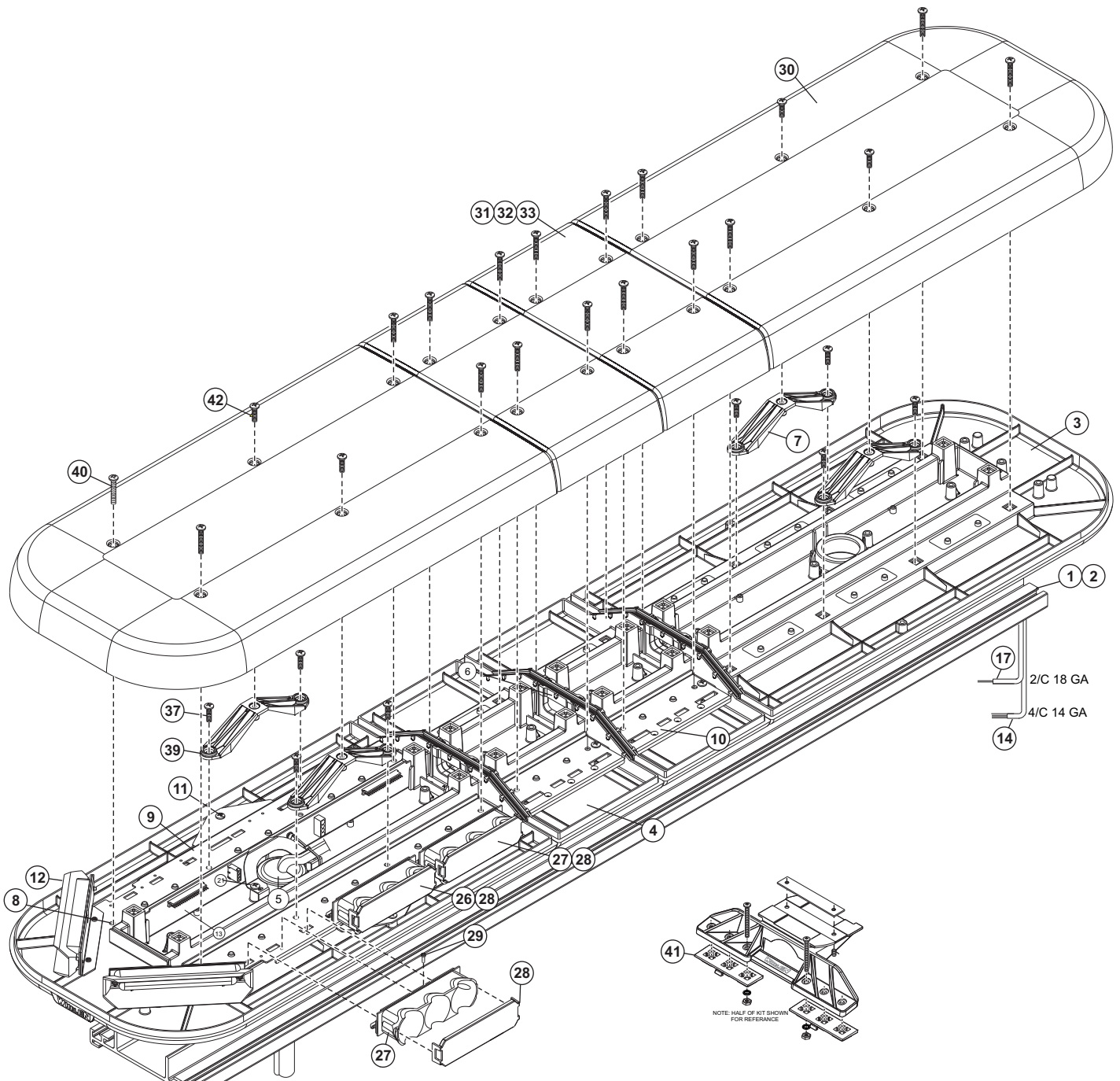
The standard lightbar uses a 2- and 4-conductor cable.

WARNING! All Customer supplied wires that connect to the positive terminal of the battery must be sized to supply at least 125% of the maximum operating current and **FUSED** at the battery to carry that load. **DO NOT USE CIRCUIT BREAKERS WITH THIS PRODUCT!**

IMPORTANT WARNING!

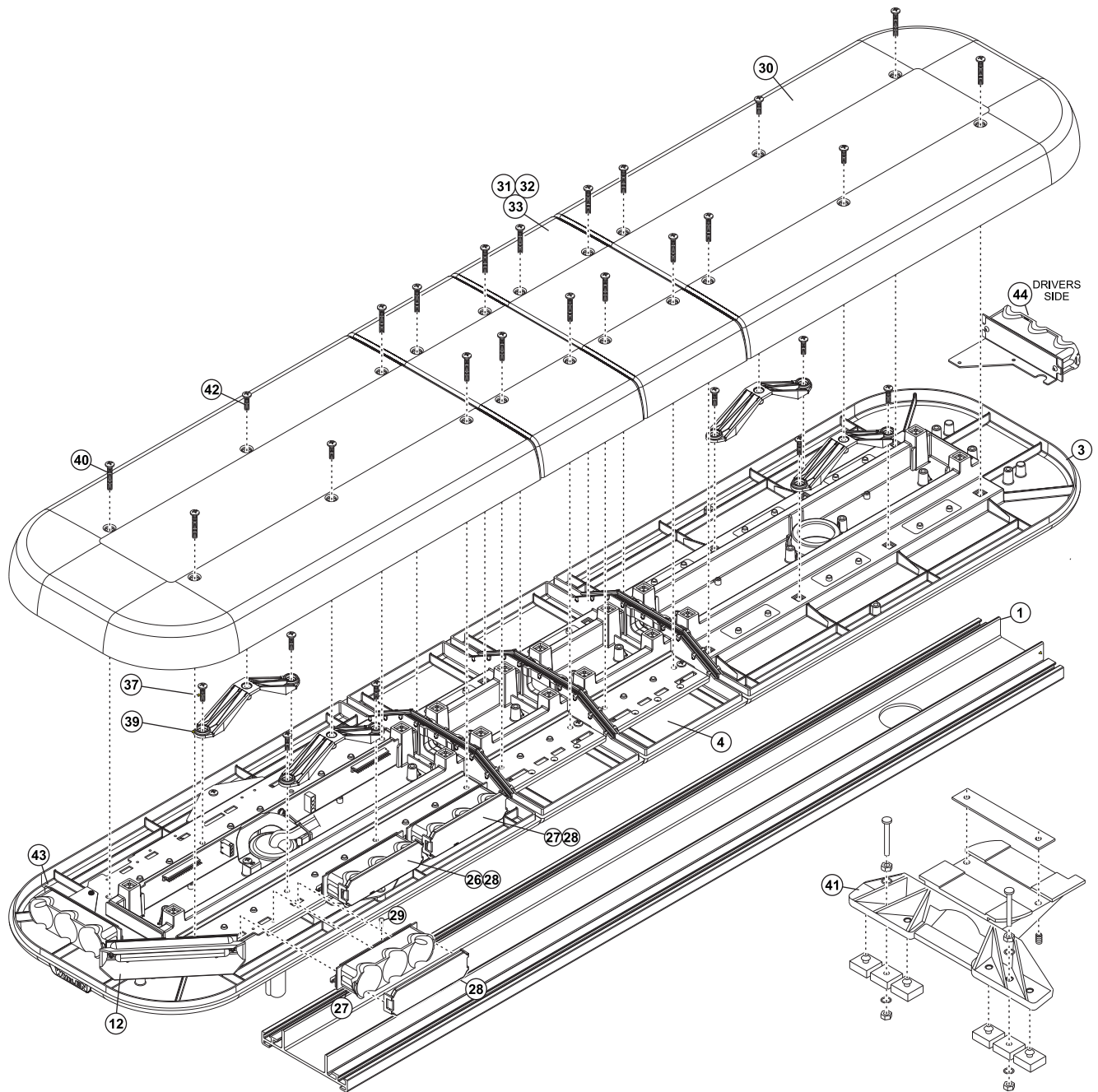
CAUTION! DO NOT LOOK DIRECTLY AT THESE LED'S WHILE THEY ARE ON. MOMENTARY BLINDNESS AND/OR EYE DAMAGE COULD RESULT!





QTY	QTY	ITEM	PART NUMBER	DESCRIPTION
	*		01-0686119-56	JUSTICE, NFPA 56.25" LIGHTBAR
	*		01-0686119-62	JUSTICE, NFPA 62.375" LIGHTBAR
-	1	1	11-36A016-048	EXTRUSION, 48.125" W/HOLES
1	-	2	11-36A016-054	EXTRUSION, 54.250" W/HOLES
2	2	3	02-0384840-90	BASE / LENS END, W/SEAL, BLACK
3	2	4	02-0384841-90	BASE / LENS CENTER MODULE, W/SEAL, BLACK
2	2	5	21-11245004-1	GROMMET, 1.562"
4	3	6	38-0443429-30	DIVIDER BRIDGE, (CLEAR) JUSTICE LIGHTBAR
4	3	7	38-0464988-00	SEAL DIVIDER, JUSTICE LIGHTBAR
40	32	8	21-17060704-3	GROMMET, ITW FASTEX PLASTI
2	2	9	07-284976-000	BRACKET, MTG., LIGHTHEAD ASSEMBLIES
6	4	10	07-243540-000	BRACKET, BASE CENTER MODULE, JUSTICE
20	16	11	15-101416-080	SCREW, 10 x 1/2" PPHSMS 410 SS
4	4	12	01-026B704-56	SUB ASSY, CORNER LED 6, RED
1	1	13	02-016A221-00	I/O BOARD, JUSTICE "COMPETITOR" LIGHTBAR
1	1	14	46-0743513-18	CABLE, 4/C 14 GA. 18'
1	1	15	39-1V04017-00	HOUSING, PLUG UMNL 1x4 POS.
1	1	16	39-1V17269-00	INTERFACE SEAL, 4 POS.
1	1	17	46-0743168-09	CABLE 2/C 18 GA 20' UMNL SKT 1 END
1	1	18	01-0269936-01	ELEC 2 CH FLASHER ECONOMY LIBERTY
1	1	19	66-0420982-00	TAPE, DOUBLE SIDED
1	1	20	46-0764239-00	HARNESS LED 4 OUTPUT CA

1	1	21	07-26A018-000	BRACKET, SUPPORT, WE-CAN PCB, JUSTICE
1	1	22	26-0215001-06	TY WRAP, 6" BLACK
1	1	23	46-0784811-01	HARNESS, PASSENGER, 48"-54" JUSTICE WC
-	1	24	46-0784812-02	HARNESS, DRIVER, 54", JUSTICE WC
1	-	25	46-0784812-03	HARNESS, DRIVER, 60", JUSTICE WC
2	2	26	01-026B568-30	SUB ASSY, CON-3, HINGED REFLECTOR, WHITE
4	4	27	01-026B568-50	SUB ASSY, CON-3, HINGED REFLECTOR, RED
6	6	28	68-1984766-30	LENS-OPTIC, CLEAR, CON-3 REFLECTOR
14	14	29	14-040285-063	SCREW, 4-40x3/8 TORX PH. TRILOBULAR BLACK
2	2	30	68-1984693-30	DOME, END, OPTIC LENS, CLEAR
3	2	31	68-1984695-30	DOME, CENTER MODULE, OPTIC LENS, CLEAR
A/R	A/R	32	68-1984695-50	DOME, CENTER MODULE, OPTIC LENS, RED
A/R	A/R	33	68-1984695-90	DOME, CENTER MODULE, OPTIC LENS, BLACK
1	1	34	10-0523364-00	LABEL, JUSTICE INSIDE ID, M/N, S/N
1	1	35	10-0322935-00	LABEL, "FRONT"
A/R	A/R	36	26-0215001-03	TY WRAP, 3" BLACK
8	8	37	15-101416-100	SCREW, 10 x 5/8 PPHSMS 410 SS
2	2	38	46-0722108-00	ASS'Y, Y HARNESS VALUE BAR
4	4	39	07-26A993-000	BRACKET, DOME MOUNT JUSTICE
20	16	40	15-101416-288	SCREW, 10 X 1 3/4 PPHSMS 410 SS, W/NYSEAL
1	1	41	01-0483969007	KIT, 7 MOUNTING, RTTNL.INSTALL
4	4	42	15-101416-108	SCREW, 10 X 5/8 PPHSMS 410 SS, W/NYSEAL



QTY	QTY	ITEM	PART NUMBER	DESCRIPTION
	*		01-0687814-56	JUSTICE, NFPA (SQUARE) 56.25" LIGHTBAR
*			01-0687814-62	JUSTICE, NFPA (SQUARE) 62.375" LIGHTBAR
-	1	1	11-36A016-048	EXTRUSION, 48.125" W/HOLES
1	-	2	11-36A016-054	EXTRUSION, 54.250" W/HOLES
2	2	3	02-0384840-90	BASE / LENS END, W/SEAL, BLACK
3	2	4	02-0384841-90	BASE / LENS CENTER MODULE, W/SEAL, BLACK
2	2	5	21-11245004-1	GROMMET, 1.562"
4	3	6	38-0443429-30	DIVIDER BRIDGE, (CLEAR) JUSTICE LIGHTBAR
4	3	7	38-0464988-00	SEAL DIVIDER, JUSTICE LIGHTBAR
40	32	8	21-17060704-3	GROMMET, ITW FASTEX PLASTI
2	2	9	07-284976-000	BRACKET, MTG., LIGHTHEAD ASSEMBLIES
6	4	10	07-243540-000	BRACKET, BASE CENTER MODULE, JUSTICE
20	16	11	15-101416-080	SCREW, 10 x 1/2" PPHSMS 410 SS
2	2	12	01-026B704-56	SUB ASSY, CORNER LED 6, RED
1	1	13	02-016A221-00	I/O BOARD, JUSTICE "COMPETITOR" LIGHTBAR
1	1	14	46-0743513-18	CABLE, 4/C 14 GA. 18'
1	1	15	39-1V04017-00	HOUSING, PLUG UMNL 1x4 POS.
1	1	16	39-1V17269-00	INTERFACE SEAL, 4 POS.
1	1	17	46-0743168-09	ASS'Y, CABLE 2/C 18 GA 20' UMNL SKT 1 END
1	1	18	01-0269936-01	ASS'Y, ELEC 2 CH FLASHER ECONOMY LIBERTY
1	1	19	66-0420982-00	TAPE, DOUBLE SIDED
1	1	20	46-0764239-00	ASS'Y, HARNESS LED 4 OUTPUT CA
1	1	21	07-26A018-000	BRACKET, SUPPORT, WE-CAN PCB, JUSTICE

1	1	22	26-0215001-06	TY WRAP, 6" BLACK
1	1	23	46-0784811-01	HARNESS, PASSENGER, 48"-54" JUSTICE WC
-	1	24	46-0784812-02	HARNESS, DRIVER, 54", JUSTICE WC
1	-	25	46-0784812-03	HARNESS, DRIVER, 60", JUSTICE WC
2	2	26	01-026B568-30	SUB ASSY, CON-3, HINGED REFLECTOR, WHITE
4	4	27	01-026B568-50	SUB ASSY, CON-3, HINGED REFLECTOR, RED
6	6	28	68-1984766-30	LENS-OPTIC, CLEAR, CON-3 REFLECTOR
14	14	29	14-040285-063	SCREW, 4-40x3/8 TORX PH. TRILOBULAR BLACK
2	2	30	68-1984693-30	DOME, END, OPTIC LENS, CLEAR
3	2	31	68-1984695-30	DOME, CENTER MODULE, OPTIC LENS, CLEAR
A/R	A/R	32	68-1984695-50	DOME, CENTER MODULE, OPTIC LENS, RED
A/R	A/R	33	68-1984695-90	DOME, CENTER MODULE, OPTIC LENS, BLACK
1	1	34	10-0523364-00	LABEL, JUSTICE INSIDE ID, M/N, S/N
1	1	35	10-0322935-00	LABEL, "FRONT"
A/R	A/R	36	26-0215001-03	TY WRAP, 3" BLACK
8	8	37	15-101416-100	SCREW, 10 x 5/8 PPHSMS 410 SS
2	2	38	46-0722108-00	ASS'Y, Y HARNESS VALUE BAR
4	4	39	07-26A993-000	BRACKET, DOME MOUNT JUSTICE
20	16	40	15-101416-288	SCREW, 10 X 1 3/4 PPHSMS 410 SS, W/NYSEAL
1	1	41	01-0483969007	KIT, 7 MOUNTING, RTTNL.INSTALL
4	4	42	15-101416-108	SCREW, 10 X 5/8 PPHSMS 410 SS, W/NYSEAL
1	1	43	01-026F822-51	SUB ASS'Y, PASSNGR CON3 LED RED, JUSTICE NFPA
1	1	44	01-026F822-50	SUB ASS'Y., DRVR CON3 LED RED, JUSTICE NFPA