

WHELEN[®]

ENGINEERING COMPANY INC.

51 Winthrop Road
Chester, Connecticut 06412-0684
Phone: (860) 526-9504
Internet: www.whelen.com
Sales e-mail: autosale@whelen.com
Customer Service e-mail: custserv@whelen.com

Installation Guide:
Inner Edge[®] XLP LC Interior Lightbar
5-Light (w/Take-Down) 6-Light (w/o Take-Down)

Warnings to Installers

Whelen's emergency vehicle warning devices must be properly mounted and wired in order to be effective and safe. Read and follow all of Whelen's written instructions when installing or using this device. Emergency vehicles are often operated under high speed stressful conditions which must be accounted for when installing all emergency warning devices. Controls should be placed within convenient reach of the operator so that they can operate the system without taking their eyes off the roadway. Emergency warning devices can require high electrical voltages and/or currents. Properly protect and use caution around live electrical connections. Grounding or shorting of electrical connections can cause high current arcing, which can cause personal injury and/or vehicle damage, including fire. Many electronic devices used in emergency vehicles can create or be affected by electromagnetic interference. Therefore, after installation of any electronic device it is necessary to test all electronic equipment simultaneously to insure that they operate free of interference from other components within the vehicle. Never power emergency warning equipment from the same circuit or share the same grounding circuit with radio communication equipment. All devices should be mounted in accordance with the manufacturer's instructions and securely fastened to vehicle elements of sufficient strength to withstand the forces applied to the device. Driver and/or passenger air bags (SRS) will affect the way equipment should be mounted. This device should be mounted by permanent installation and within the zones specified by the vehicle manufacturer, if any. Any device mounted in the deployment area of an air bag will damage or reduce the effectiveness of the air bag and may damage or dislodge the device. Installer must be sure that this device, its mounting hardware and electrical supply wiring does not interfere with the air bag or the SRS wiring or sensors. Mounting the unit inside the vehicle by a method other than permanent installation is not recommended as unit may become dislodged during swerving; sudden braking or collision. Failure to follow instructions can result in personal injury. Whelen assumes no liability for any loss resulting from the use of this warning device. **PROPER INSTALLATION COMBINED WITH OPERATOR TRAINING IN THE PROPER USE OF EMERGENCY WARNING DEVICES IS ESSENTIAL TO INSURE THE SAFETY OF EMERGENCY PERSONNEL AND THE PUBLIC.**

Warnings to Users

Whelen's emergency vehicle warning devices are intended to alert other operators and pedestrians to the presence and operation of emergency vehicles and personnel. However, the use of this or any other Whelen emergency warning device does not guarantee that you will have the right-of-way or that other drivers and pedestrians will properly heed an emergency warning signal. Never assume you have the right-of-way. It is your responsibility to proceed safely before entering an intersection, driving against traffic, responding at a high rate of speed, or walking on or around traffic lanes. Emergency vehicle warning devices should be tested on a daily basis to ensure that they operate properly. When in actual use, the operator must ensure that both visual and audible warnings are not blocked by vehicle components (i.e.: open trunks or compartment doors), people, vehicles, or other obstructions. It is the user's responsibility to understand and obey all laws regarding emergency warning devices. The user should be familiar with all applicable laws and regulations prior to the use of any emergency vehicle warning device. Whelen's audible warning devices are designed to project sound in a forward direction away from the vehicle occupants. However, because sustained periodic exposure to loud sounds can cause hearing loss, all audible warning devices should be installed and operated in accordance with the standards established by the National Fire Protection Association.

Safety First

This document provides all the necessary information to allow your Whelen product to be properly and safely installed. Before beginning the installation and/or operation of your new product, the installation technician and operator must read this manual completely. Important information is contained herein that could prevent serious injury or damage.

⚠ WARNING: This product may contain chemicals known to the State of California to cause cancer and birth defects or other reproductive harm. For more information, visit www.whelen.com/regulatory.

- **Proper installation of this product requires the installer to have a good understanding of automotive electronics, systems and procedures.**
- **Whelen Engineering requires the use of waterproof butt splices and/or connectors if that connector could be exposed to moisture.**
- **Any holes, either created or utilized by this product, should be made both air- and watertight using a sealant recommended by your vehicle manufacturer.**
- **Failure to use specified installation parts and/or hardware will void the product warranty.**
- **If mounting this product requires drilling holes, the installer MUST be sure that no vehicle components or other vital parts could be damaged by the drilling process. Check both sides of the mounting surface before drilling begins. Also de-burr the holes and remove any metal shards or remnants. Install grommets into all wire passage holes.**
- **If this manual states that this product may be mounted with suction cups, magnets, tape or Velcro[®], clean the mounting surface with a 50/50 mix of isopropyl alcohol and water and dry thoroughly.**
- **Do not install this product or route any wires in the deployment area of your air bag. Equipment mounted or located in the air bag deployment area will damage or reduce the effectiveness of the air bag, or become a projectile that could cause serious personal injury or death. Refer to your vehicle owner's manual for the air bag deployment area. The User/Installer assumes full responsibility to determine proper mounting location, based on providing ultimate safety to all passengers inside the vehicle.**
- **For this product to operate at optimum efficiency, a good electrical connection to chassis ground must be made. The recommended procedure requires the product ground wire to be connected directly to the NEGATIVE (-) battery post (this does not include products that use cigar power cords).**
- **If this product uses a remote device for activation or control, make sure that this device is located in an area that allows both the vehicle and the device to be operated safely in any driving condition.**
- **Do not attempt to activate or control this device in a hazardous driving situation.**
- **This product contains either strobe light(s), halogen light(s), high-intensity LEDs or a combination of these lights. Do not stare directly into these lights. Momentary blindness and/or eye damage could result.**
- **Use only soap and water to clean the outer lens. Use of other chemicals could result in premature lens cracking (crazing) and discoloration. Lenses in this condition have significantly reduced effectiveness and should be replaced immediately. Inspect and operate this product regularly to confirm its proper operation and mounting condition. Do not use a pressure washer to clean this product.**
- **It is recommended that these instructions be stored in a safe place and referred to when performing maintenance and/or reinstallation of this product.**
- **FAILURE TO FOLLOW THESE SAFETY PRECAUTIONS AND INSTRUCTIONS COULD RESULT IN DAMAGE TO THE PRODUCT OR VEHICLE AND/OR SERIOUS INJURY TO YOU AND YOUR PASSENGERS!**

IMPORTANT! The lightbar should be a minimum of 16" from radio antennas!

Installation / Standard:

The Tahoe and Silverado have a retainer which holds the headliner to the visor clip that must be replaced with the supplied spacer.

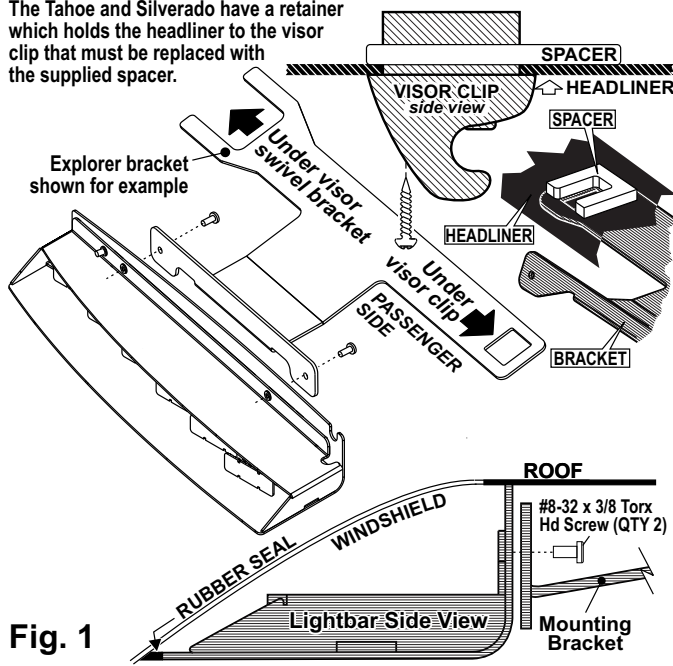


Fig. 1

1. Loosen (*do not remove*) the three screws securing the passenger-side *visor swivel* bracket to the vehicle.
2. Remove screws securing vehicles *visor clip* and remove clip and hardware.
3. Secure the bracket to the Inner Edge housing using hardware provided (Fig. 1).
4. Position the keyed opening of the mounting bracket directly under the location of the *visor clip* removed in step 2 and remount the *visor clip* in its original location using the original hardware (Fig. 1). Silverado & Tahoe require a spacer (Fig. 1).
5. Firmly tighten any hardware loosened in this procedure.
6. Repeat this procedure for the driver-side assembly.
7. When properly mounted, the rubber seal will be in full contact with the vehicle windshield and roof. This is to prevent light output from entering the passenger compartment. When this has been achieved, tighten mounting hardware firmly.
8. Route the lightbar cable down the A-pillar to your control head. Make all wiring connections using the information in the wiring diagram.

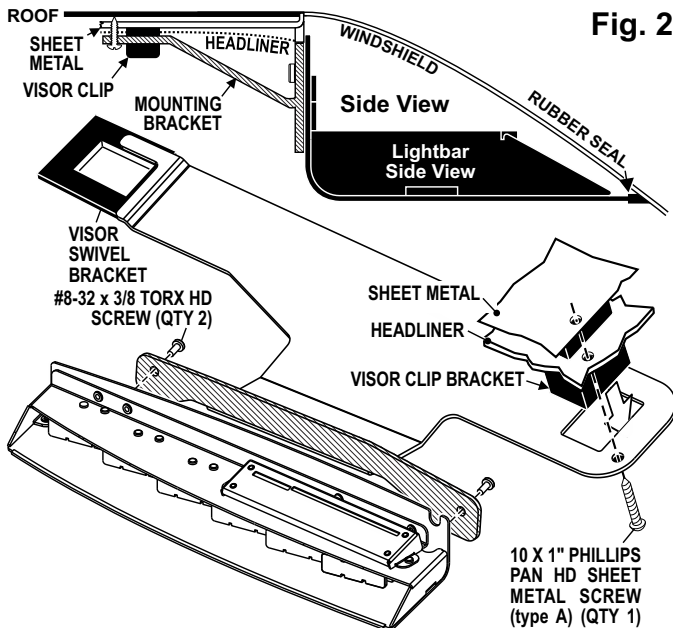


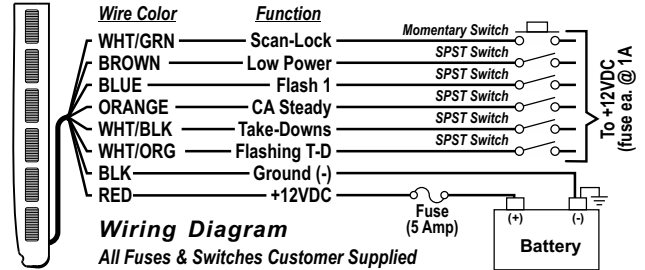
Fig. 2

Installation / Caprice:

1. Secure the mounting bracket to the Inner Edge housing using the two #8 - 32 X 3/8 TORX HEAD SCREWS provided (Fig. 2).

2. Loosen (*do not remove*) the screws securing the passenger-side *visor swivel bracket* to the vehicle.
3. Slide the outside end of the mounting bracket under the *visor swivel bracket* (Fig. 2). At the same time slip the rectangular hole in the other end of the mounting bracket over the *visor clip bracket*. With the mounting bracket in position re-tighten the *visor swivel bracket* hardware.
4. Using the screw hole in the mounting bracket as a guide, drill a pilot hole into the sheet metal behind the headliner and secure other side of mounting bracket using the supplied #10 X 1" PPHSMS.
5. Repeat this procedure for the driver-side assembly.
6. When properly mounted, the rubber seal will be in full contact with the vehicle windshield and roof. This prevents light from entering the passenger compartment. When this has been achieved, tighten all mounting hardware firmly to maintain contact.
7. Route the lightbar cable down the A-pillar to your control head and make all wiring connections using the information in the wiring diagram.

Wiring:



WARNING! All customer supplied wires that connect to the positive terminal of the battery must be sized to supply at least 125% of the maximum operating current and FUSED at the battery to carry that load. DO NOT USE CIRCUIT BREAKERS WITH THIS PRODUCT!

Operation:

8-conductor cable. All functions listed here may not be present in all lightbars.

WHT/GRN (Scan-Lock™) - The WHT/GRN wire allows you to choose from a variety of flash patterns. A light must be activated to change the pattern.

TO CYCLE THROUGH ALL PATTERNS: *To cycle forward* apply +12 VDC to the WHT/GRN wire for less than 1 second and release. *To cycle backward* apply +12 VDC to the WHT/GRN wire for more than 1 second and release.

TO SET A PATTERN AS DEFAULT: When the pattern is displayed, allow it to run for 6 seconds. The lighthouse will now display this pattern when active.

TO RESET TO THE FACTORY DEFAULT PATTERN: Turn off power and apply +12 VDC to the WHT/GRN wire while turning power on.

A normally open momentary switch is best suited for Scan-Lock operation.

BLU (Flash 1) - Apply +12 VDC to the BLUE wire to activate the warning lights. Fuse wire @ 1 Amp.

BRN (Hi/Low Power) - This feature places the lightbar in low power for night time use. Fuse wire @ 1 Amp. A single pole / single throw switch can be used to control Hi/Low power.

To activate Low power: Apply +12 VDC to the BRN wire. **To restore regular power:** Remove the BRN wire from +12 VDC.

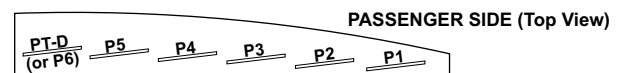
WHT/BLK (Take-Down) - Apply +12 VDC to the WHT/BLK wire to activate the take-downs (5-light models only). Fuse this wire @ 1 Amp.

WHT/ORG (Flashing Take-Down) - Apply +12VDC to the WHT/ORG wire to activate flashing take-down mode (5-light models only). Fuse this wire @ 1 Amp. Note: The WHT/BLK wire overrides this display.

ORG (California Steady) - Apply +12 VDC to the ORG wire to activate lights using the California Steady pattern table (next page). Refer to the following page for lighthouse identification. Fuse wire @ 1 Amp. **NOTE: Due to firmware requirements, there are several 'null' patterns (no lighthouse active) that precede Pattern 1. Repeated Scan-Lock activations may be required before Pattern 1 selection is achieved.**

California Steady Pattern Table:

Active Lighthoods	
1. P1	3. P3
2. P2	4. P4
	5. P5
	6. P6 (6 Light models only)



Available Flash Patterns:

- | | | | | |
|--------------------------------|---------------------------------|---------------------------------|----------------------------|----------------------|
| 1. ActionScan™ | 9. SingleFlash 75 Multi. | 18. SingleFlash 240 Alternating | 27. MicroBurst™ Multi. | 36. Cylon Chaser |
| 2. SignalAlert™ 75 Alternating | 10. LongBurst™ 75 Alternating | 19. SingleFlash 240 Multi. | 28. PingPong™ Alternating | 37. Eyeballs Sync |
| 3. SignalAlert™ 75 Multi. | 11. LongBurst™ 75 Multi. | 20. DoubleFlash 120 Alternating | 29. PingPong™ Multi. | 38. Eyeballs In/Out |
| 4. CometFlash® 75 Alternating | 12. SingleFlash 60 Alternating | 21. DoubleFlash 120 Multi. | 30. FlimFlam Alternating | 39.2 Eyeballs In/Out |
| 5. CometFlash® 75 Multi. | 13. SingleFlash 60 Multi. | 22. ActionFlash™ 75 Alt. | 31. FlimFlam Multi. | 40. Eyeballs Crazy |
| 6. DoubleFlash 75 Alternating | 14. SingleFlash 90 Alternating | 23. ActionFlash™ 75 Multi. | 32. ModuFlash™ Alternating | |
| 7. DoubleFlash 75 Multi. | 15. SingleFlash 90 Multi. | 24. ActionFlash™ 150 Alt. | 33. ModuFlash™ Multi | |
| 8. SingleFlash 75 Alternating | 16. SingleFlash 120 Alternating | 25. ActionFlash™ 150 Multi. | 34. Cylon 1 | |
| | 17. SingleFlash 120 Multi. | 26. MicroBurst™ Alternating | 35. Cylon 2 | |

Installation 2013 Ford Fusion:

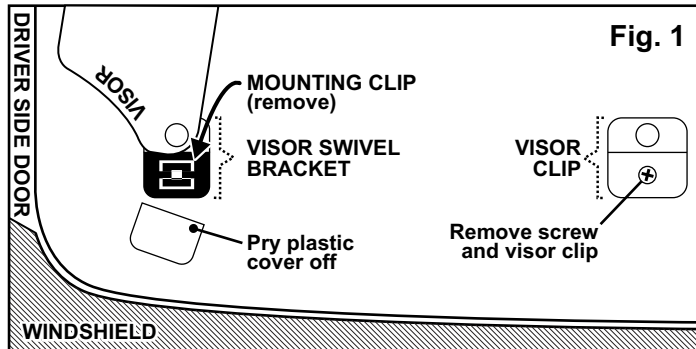
IMPORTANT AIR BAG WARNING! Do not install this product or route any wires in the deployment area of your air bag. Equipment mounted or located in the air bag deployment area will damage or reduce the effectiveness of the air bag, or become a projectile that could cause serious personal injury or death. Refer to your vehicle owners manual for the air bag deployment area. The User/ Installer assumes full responsibility to determine proper mounting location, based on providing ultimate safety to all passengers.

IMPORTANT! The lightbar should be located a minimum of 16" from any radio antennas!

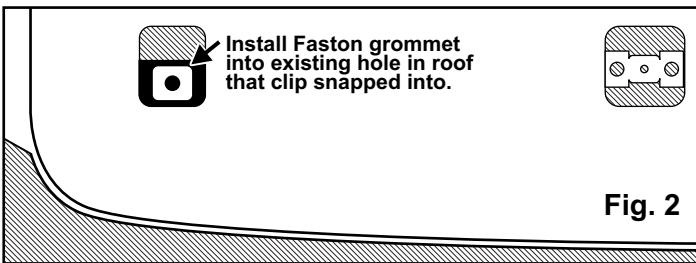
Note: When routing the wires, it is important to choose a path that will keep the wires away from excessive heat or any vehicle equipment that could compromise the integrity of the wires (ex. trunk lids, door jams, etc.)

Figures 1 thru 3 show the driver side of the interior of the vehicle, shown looking up at the roof.

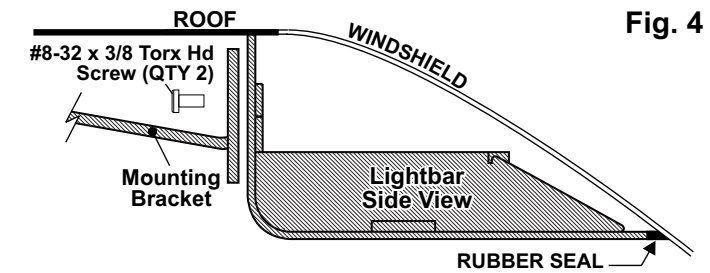
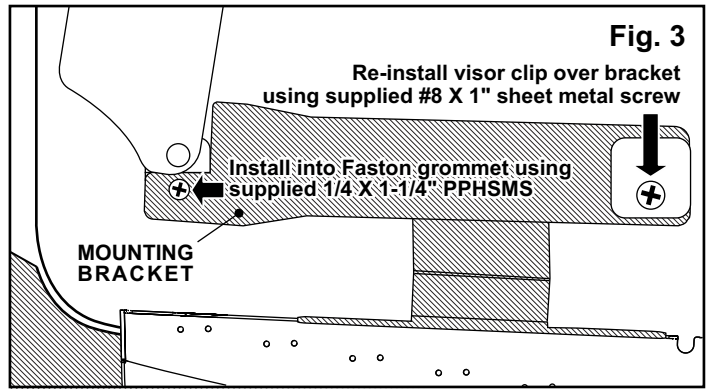
1. On the driver side **visor swivel bracket**, carefully pry the plastic cover off the front of the bracket (Fig. 1). The lightbar mounting bracket will sit in the space that the cover occupied. **NOTE: Pry the cover off using two flat blade screwdrivers on each side to avoid braking the cover. The cover will not be used but should be saved in case you wish to remove the lightbar in the future.**



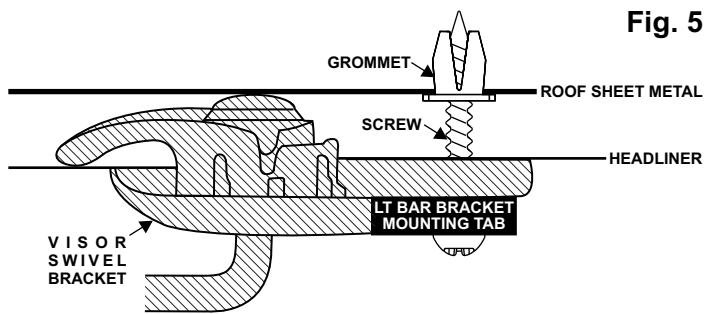
2. Remove the **swivel bracket** mounting clip (located under the cover you removed in step 1) and lift the **swivel bracket** assembly out. Install the supplied fastax grommet into the hole in the roof sheet metal which the clip snapped into. Reinsert the **swivel bracket** assembly (Figs. 1 & 2).



3. On the vehicle **visor clip**, remove the screw holding on the clip and remove the clip. The supplied #8 X 1" sheet metal screw will replace the screw you removed (Fig. 2).



When properly mounted, the rubber seal should be in full contact with the vehicle windshield. The rear of the lightbar should be in contact with the roof. This is to prevent light from entering the passenger compartment. When this has been achieved, tighten mounting hardware firmly to maintain contact.

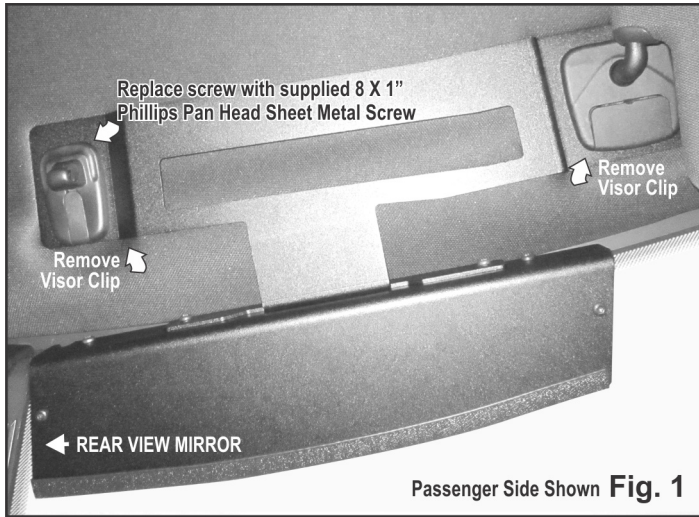


4. Secure the mounting bracket to the lightbar and position the bracket where it will mount on the vehicle (Figs. 3 & 4).
5. Secure the lightbar bracket to the **swivel mount** using the supplied 1/4 X 1-1/4" Phillips Pan Head Sheet Metal Screw. This screw will thread into the fastax grommet you installed in step 2 and the bracket will sit where the cover was (Fig. 5).
6. Line the rectangular hole in the other end of the lightbar bracket, up with the **visor clip** and install the visor clip over the lightbar bracket using the supplied #8 X 1" Sheet Metal Screw (Fig. 3).
7. Make sure all mounting hardware is tightened firmly and repeat procedure for the passenger side of the vehicle.

Extend the cables and connect to power. Refer to the lightbar manual for wiring and fusing information.

**Installation 2019 - 2020 Dodge Ram 1500:
Inner Edge XLP**

Screw (Fig. 1). Loosely mount the bracket to the vehicle then pull the bracket as far back from the windshield as it goes (Fig. 3). With the bracket in place tighten the mounting hardware.



1. Remove the vehicle Visor Clips. The bracket will sit under these clips after mounting (Fig. 1).
2. Mount the bracket to the light array as shown so the mounting hardware sits at the top of the mounting slot on the bracket (Fig. 2). Tighten hardware firmly.
3. Replace the vehicle clip mounting screw near the rear view mirror with the supplied 8 X 1" Phillips Pan Head Sheet Metal

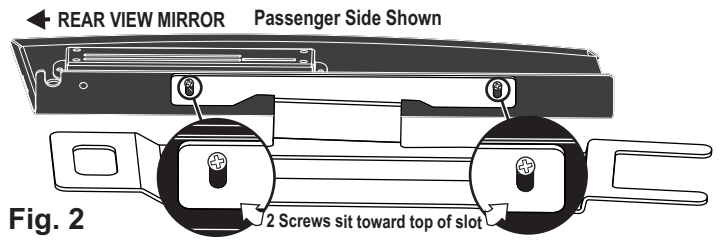
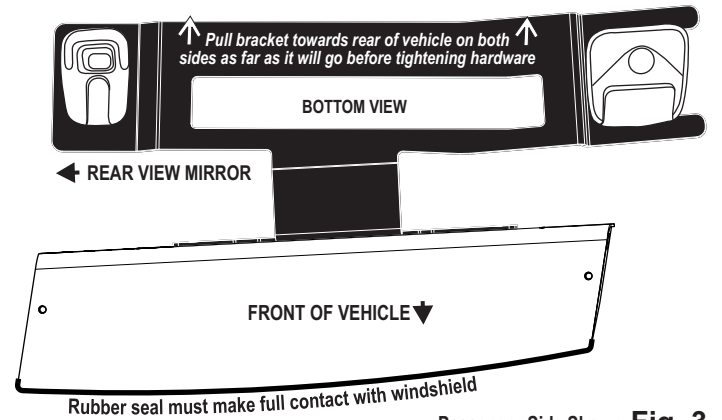
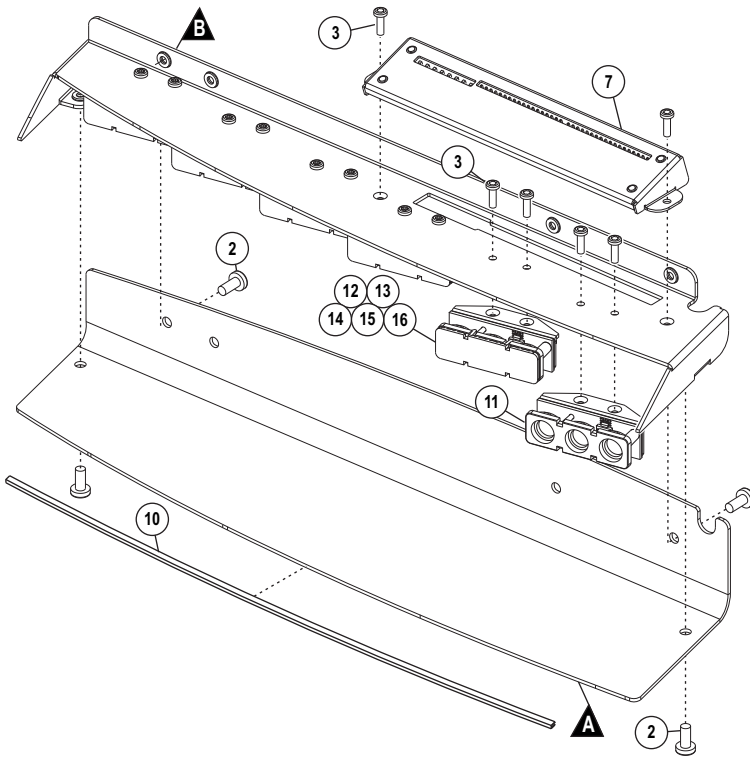


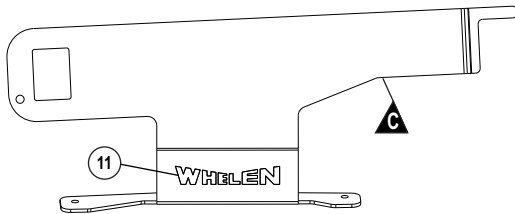
Fig. 2



Passenger Side Shown Fig. 3



LABEL DETAIL, PASSENGER SIDE BRACKET ONLY



QTY	ITEM	PART NUMBER	DESCRIPTION	
*		01-0687417-1	FINAL ASSY, INNER EDGE XLP, LOW CURRENT 5 LT W/TD	
*		01-0687417-2	FINAL ASSY, INNER EDGE XLP, LOW CURRENT 6 LT W/O TD	
4	4	14-08228C-06D	SCREW, 8-32 X 3/8" PAN TORX HD ROLOK SS BLACK OXIDE	
14	14	3	14-040216-04H	SCREW, 4-40 X 1/4 PPHMS 410SS BLACK PASSIVATE
1	1	4	39-1M17672-08	HOUSING, PLUG 8 POS 18AWG SL-156 W/ LOCKING RAMP
1	1	5	46-0743403-00	ASSY, CABLE 9/C 18 GA TPR 20' SL-156 SCKTS ONE END
1	1	6	26-0215001-06	TY WRAP, 6" BLACK - Not Shown
1	1	7	01-026E492-00	SUB ASSY, LC I/O INNER-EDGE XLP
1	1	8	46-076E495-00	ASSY, HARNESS PASSENGER INNER EDGE XLP
1	1	9	46-076E495-01	ASSY, HARNESS DRIVER INNER EDGE XLP
1	1	10	38-0546827-14	TRIM, SEAL HOUSING/WINDSHIELD 13.600" LENGTH INNER EDGE XLP
A/R	A/R	19	01-026E488-33	SUB ASSY, TAKE DOWN WHITE INNER-EDGE XLP (PASS)
A/R	A/R	20	01-026E488-12	SUB ASSY, WARNING AMB INNER-EDGE XLP (PASS)
A/R	A/R	21	01-026E488-22	SUB ASSY, WARNING BLU INNER-EDGE XLP (PASS)
A/R	A/R	22	01-026E488-32	SUB ASSY, WARNING WHT INNER-EDGE XLP (PASS)
A/R	A/R	23	01-026E488-42	SUB ASSY, WARNING GRN INNER-EDGE XLP (PASS)
A/R	A/R	24	01-026E488-52	SUB ASSY, WARNING RED INNER-EDGE XLP (PASS)

PART NUMBER KEY

01-0687417-

YEAR/MAKE ←

→ **VERSION: 1 = 5-Light (w/TD)**

2 = 6-Light (w/oTD)

- 1 = 2013 TAURUS/INTERCEPTOR
- 2 = 2013 EXPLORER/SUV INTERCEPTOR
- 3 = 2013 F150
- 4 = 2013 F250-550
- 5 = 2013 EXPEDITION
- 6 = 2013 CHARGER
- 7 = 2013 RAM 1500
- 8 = 2013 DURANGO
- 9 = 2013 CAPRICE PPV
- A = 2014 IMPALA
- B = 2013 TAHOE/SUBURBAN/ALL PICKUPS
- C = 2013 FUSION
- D = 2014 TAHOE/SUBURBAN/ALL PICKUPS
- E = 2015 F150
- F = 2018 EXPEDITION
- G = 2019 SILVERADO 1500
- H = 2020 EXPLORER/SUV INTERCEPTOR
- I = 2019 RAM 1500

2013 - TAHOE/SUBURBAN/ALL PICKUPS

QTY	ITEM	PART NUMBER	DESCRIPTION
		01-0687417-B_	FINAL, INNER EDGE XLP, 5/6 LIGHT
1	A	11-36E644-007	BASE, HOUSING, PASS 12 TAHOE INNER EDGE XLP BLACK
1	B	11-26E645-007	COVER, TOP PASS 12 CHEVY TAHOE INNER EDGE XLP BLACK
1	C	07-287449-023	BRACKET, VISOR MT PASS THOE INNER EDGE XLP BLACK
4	D	14-08228C-060	SCREW, 8-32 X 3/8" PAN TORX HD ROLOK SS BLK OXIDE (not shown)

2014 - TAHOE/SUBURBAN/ALL PICKUPS

QTY	ITEM	PART NUMBER	DESCRIPTION
		01-0687417-D_	FINAL, INNER EDGE XLP, 5/6 LIGHT
1	A	11-36F641-007	BASE, HOUSING, PASS 14 TAHOE INNER EDGE XLP BLACK
1	B	11-26F642-007	COVER, TOP PASS 14 CHEVY TAHOE INNER EDGE XLP BLACK
1	C	07-287726-023	BRACKET, VISOR MT PASS THOE INNER EDGE XLP BLACK
4	D	14-08228C-060	SCREW, 8-32 X 3/8" PAN TORX HD ROLOK SS BLK OXIDE (not shown)

2013 - CAPRICE PPV

QTY	ITEM	PART NUMBER	DESCRIPTION
		01-0687417-9_	FINAL, INNER EDGE XLP, 5/6 LIGHT
1	A	11-36E494-007	BASE, HOUSING PASS 12 CAPRICE INNER EDGE XLP BLACK
1	B	11-26E493-007	COVER, TOP PASS 12 CAPRICE INNER EDGE XLP BLACK
1	C	07-287419-023	BRACKET, VISOR MT PASS CAPRICE INNER EDGE XLP BLACK
2	D	14-08228C-06D	SCREW, 8-32 X 3/8" PAN TORX HD ROLOK SS BLK OXIDE (not shown)

2014 - IMPALA

QTY	ITEM	PART NUMBER	DESCRIPTION
*		01-0687417-A_	FINAL, INNER EDGE XLP, 5/6 LIGHT
1	A	11-36G260-007	BASE, HOUSING, PASS 2014 IMPALA INNER EDGE XLP BLK
1	B	11-26G261-007	COVER, TOP PASS 2014 CHEVY IMPALA INNER EDGE XLP BLK
1	C	07-287946-023	BRACKET, VISOR MT PASS IMPALA INNER EDGE XLP BLACK
2	D	14-08228C-060	SCREW, 8-32 X 3/8" PAN TORX HD ROLOK SS BLK OXIDE (not shown)

2019 - SILVERADO 1500

QTY	ITEM	PART NUMBER	DESCRIPTION
*		01-0687417-G_	FINAL, INNER EDGE XLP, 5/6 LIGHT
1	A	11-36J270-007	BASE, HOUSING, PASS SILVERADO 2019 INNER EDGE XLP BLK
1	B	11-26J271-007	COVER, TOP PASS 19 SILVERADO LC INNER EDGE XLP BLACK
1	C	07-288558-023	BRACKET, VISOR MT PAS SILVERADO 2019 INNER EDGE XLP BLK
2	D	14-08228C-060	SCREW, 8-32 X 3/8" PAN TORX HD ROLOK SS BLK OXIDE (not shown)

continued on next page

2013 - TAURUS/INTERCEPTOR

QTY	ITEM	PART NUMBER	DESCRIPTION
		01-0687417-1_	FINAL, INNER EDGE XLP, 5/6 LIGHT
1	A	11-36E485-007	BASE, HOUSING PASS 12 TAURUS INNER EDGE XLP BLACK
1	B	11-26E484-007	COVER, TOP PASS 12 TAURUS INNER EDGE XLP BLACK
1	C	07-287414-023	BRACKET, VISOR MT PASS TAURUS INNER EDGE XLP BLACK
4	D	14-08228C-06D	SCREW, 8-32 X 3/8" PAN TORX HD ROLOK SS BLK OXIDE (not shown)

2013 - EXPLORER/SUV INTERCEPTOR

QTY	ITEM	PART NUMBER	DESCRIPTION
		01-0687417-2_	FINAL, INNER EDGE XLP, 5/6 LIGHT
1	A	11-36E300-007	BASE, HOUSING PASS BLACK 13 FORD SUV INNER EDGE XLP
1	B	11-26E299-007	COVER, TOP PASS BLACK 13 FORD SUV INNER EDGE XLP
1	C	07-287371-023	BRACKET, VISOR MT PASS BLK 13 FORD SUV INNER EDGE XLP
4	D	14-08228C-06D	SCREW, 8-32 X 3/8" PAN TORX HD ROLOK SS BLK OXIDE (not shown)

2013 - F150

QTY	ITEM	PART NUMBER	DESCRIPTION
		01-0687417-3_	FINAL, INNER EDGE XLP, 5/6 LIGHT
1	A	11-36E829-007	BASE, HOUSING PASS BLACK 13 FORD F-150 INNER EDGE XLP
1	B	11-26E830-007	COVER, TOP PASS BLACK 13 FORD F-150 INNER EDGE XLP
1	C	07-287501-023	BRACKET, VISOR MT PASS BLK 13 FORD F-150 INNER EDGE XLP
4	D	14-08228C-06D	SCREW, 8-32 X 3/8" PAN TORX HD ROLOK SS BLK OXIDE (not shown)

2013 - F250-550

QTY	ITEM	PART NUMBER	DESCRIPTION
		01-0687417-4_	INNER EDGE XLP, 5/6 LIGHT
1	A	11-36E848-007	BASE, HOUSING PASS 2013 F-250/350 INNER EDGE XLP
1	B	11-26E872-007	COVER, TOP PASS BLACK 2013 F-250/350 INNER EDGE XLP
1	C	07-287511-023	BRACKET, VISOR MT PASS BLK F-250/350 INNER EDGE XLP
4	D	14-08228C-06D	SCREW, 8-32 X 3/8" PAN TORX HD ROLOK SS BLK OXIDE (not shown)

2013 - FUSION

QTY	ITEM	PART NUMBER	DESCRIPTION
		01-0687417-C_	FINAL, INNER EDGE XLP, 5/6 LIGHT
1	A	11-36E891-007	BASE, HOUSING PASS 2013 FUSION INNER EDGE XLP BLACK
1	B	11-26E890-007	COVER, TOP PASS FORD FUSION DUO INNER EDGE XLP BLACK
1	C	07-287529-023	BRACKET, VISOR MT PASS FUSION INNER EDGE XLP BLACK
1	D	21-12081205-3	SCREW GROMMET, FASTEX # 212-240602-040101 (not shown)
1	E	15-131416-202	SCREW, 1/4 X 1 1/4 PPHSMS SS TYPE A (not shown)
1	F	15-081416-160	SCREW, 8 X 1 PPHSMS (not shown)

2013 - EXPEDITION

QTY	ITEM	PART NUMBER	DESCRIPTION
		01-0687417-5_	FINAL, INNER EDGE XLP, 5/6 LIGHT
1	A	11-36G031-007	BASE, HOUSING PASS EXPEDITION INNER EDGE XLP BLACK
1	B	11-26G032-007	COVER, TOP PASS '14 EXPEDITION INNER EDGE XLP BLACK
1	C	07-287846-023	BRACKET, VISOR MT PASS EXPEDITION INNER EDGE XLP BLK
2	D	14-08228C-06	SCREW, 8-32 X 3/8" PAN TORX HD ROLOK SS BLACK OXIDE (not shown)

2020 - EXPLORER/SUV INTERCEPTOR

QTY	ITEM	PART NUMBER	DESCRIPTION
*		01-0687417-H_	FINAL, INNER EDGE XLP, 5/6 LIGHT
1	A	11-36J428-007	BASE, HOUSING PASS 2020 UTILITY INNER EDGE XLP BLACK
1	B	11-26J429-007	COVER, TOP PASS 2020 UTILITY LC INNER EDGE XLP BLACK
1	C	07-288609-023	BRACKET, VISOR MT PASS 2020 UTILITY INNER EDGE XLP BLK
2	D	14-08228C-06	SCREW, 8-32 X 3/8" PAN TORX HD ROLOK SS BLACK OXIDE (not shown)

2018 - EXPEDITION

QTY	ITEM	PART NUMBER	DESCRIPTION
*		01-0687417-F_	FINAL, INNER EDGE XLP, 5/6 LIGHT
1	A	11-36J151-007	BASE, HOUSING PASS EXPEDITION INNER EDGE XLP BLACK
1	B	11-26J152-007	COVER, TOP PASS '18 EXPEDITION LC INNER EDGE XLP BLACK
1	C	07-288533-023	BRACKET, VISOR MT PS EXPEDITION INNER EDGE XLP BLACK
2	D	14-08228C-06	SCREW, 8-32 X 3/8" PAN TORX HD ROLOK SS BLK OXIDE (not shown)

2015 - F150

QTY	ITEM	PART NUMBER	DESCRIPTION
*		01-0687417-E_	FINAL, INNER EDGE XLP, 5/6 LIGHT
1	A	11-36G373-007	BASE, HOUSING PASS BLACK 15 FORD F-150 INNER EDGE XLP
1	B	11-26G374-007	COVER, TOP PASS BLACK 15 FORD F-150 INNER EDGE XLP
1	C	07-287988-023	BRACKET, VISOR MT PASS BLK 15 FORD F-150 INNER EDGE XLP
2	D	14-08228C-06	SCREW, 8-32 X 3/8" PAN TORX HD ROLOK SS BLK OXIDE (not shown)

2013 - CHARGER

QTY	ITEM	PART NUMBER	DESCRIPTION
		01-0687417-6_	INNER EDGE XLP, 5/6 LIGHT
1	A	11-36E264-007	BASE, HOUSING PASS 12 CHARGER INNER EDGE XLP BLACK
1	B	11-26E265-007	COVER, TOP PASS 12 CHARGER INNER EDGE XLP BLACK
1	C	07-287356-023	BRACKET, VISOR MT PASS CHARGER INNER EDGE XLP BLACK
4	D	14-08228C-06	SCREW, 8-32 X 3/8" PAN TORX HD ROLOK SS BLACK OXIDE (not shown)

2013 - RAM 1500

QTY	ITEM	PART NUMBER	DESCRIPTION
		01-0687417-7_	FINAL, INNER EDGE XLP, 5/6 LIGHT
1	A	11-36E862-007	BASE, HOUSING PASS RAM 1500 INNER EDGE XLP BLACK
1	B	11-26E861-007	COVER, TOP PASS DODGE RAM 1500 INNER EDGE XLP BLACK
1	C	07-287518-023	BRACKET, VISOR MT PASS RAM 1500 INNER EDGE XLP BLACK
4	D	14-08228C-06	SCREW, 8-32 X 3/8" PAN TORX HD ROLOK SS BLK OXIDE (not shown)
2	E	15-081416-160	SCREW, 8 X 1 PPHSMS (not shown)

2013 - DURANGO

QTY	ITEM	PART NUMBER	DESCRIPTION
		01-0687417-8_	FINAL, INNER EDGE XLP, 5/6 LIGHT
1	A	11-36F186-007	BASE, HOUSING PASS 13 DURANGO INNER EDGE XLP BLACK
1	B	11-26F187-007	COVER, TOP PASS DODGE DURANGO INNER EDGE XLP BLACK
1	C	07-287616-023	BRACKET, VISOR MT PASS DURANGO INNER EDGE XLP BLACK
4	D	14-08228C-06D	SCREW, 8-32 X 3/8" PAN TORX HD ROLOK SS BLACK OXIDE (not shown)

2019 - RAM 1500

QTY	ITEM	PART NUMBER	DESCRIPTION
*		01-0687417-I_	FINAL, INNER EDGE XLP, 5/6 LIGHT
1	A	11-36J525-007	BASE, HOUSING PASS 19 RAM 1500 INNER EDGE XLP
1	B	11-26J524-007	COVER, TOP PASS 2019 RAM 1500 INNER EDGE XLP
1	C	07-288641-023	BRACKET, VISOR MT PASS 2019 RAM 1500 INNER EDGE XLP
2	D	14-08228C-06	SCREW, 8-32 X 3/8" PAN TORX HD ROLOK SS BLACK OXIDE (not shown)
1	E	15-081416-160	SCREW, 8 X 1 PPHSMS (not shown)