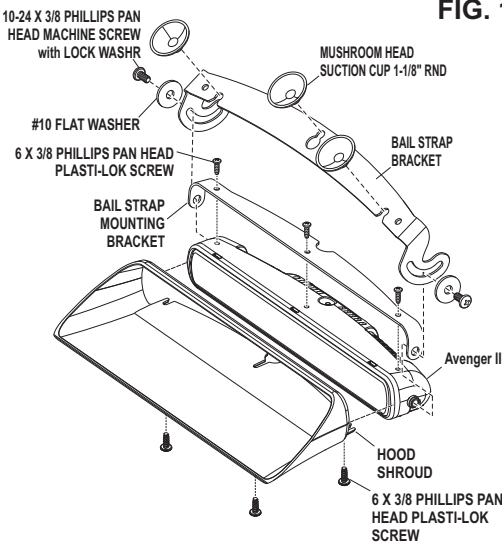


Safety First: This document provides all the necessary information to allow your Whelen product to be properly and safely installed. Before beginning the installation and/or operation of your new product, the installation technician and operator must read this manual completely. Important information is contained herein that could prevent serious injury or damage.

- Proper installation of this product requires the installer to have a good understanding of automotive electronics, systems and procedures.
- Whelen Engineering requires the use of waterproof butt splices and/or connectors if that connector could be exposed to moisture.
- Failure to use specified installation parts and/or hardware will void the product warranty!
- If mounting this product requires drilling holes, the installer **MUST** be sure that no vehicle components or other vital parts could be damaged by the drilling process. Check both sides of the mounting surface before drilling begins. Also de-burr any holes and remove any metal shards or remnants. Install grommets into all wire passage holes.
- Do not install this product or route any wires in the deployment area of your air bag. Equipment mounted or located in the air bag deployment area will damage or reduce the effectiveness of the air bag, or become a projectile that could cause serious personal injury or death. Refer to your vehicle owner's manual for the air bag deployment area. The User/Installer assumes full responsibility to determine proper mounting location, based on providing ultimate safety to all passengers inside the vehicle.
- For this product to operate at optimum efficiency, a good electrical connection to chassis ground must be made. The recommended procedure requires the product ground wire to be connected directly to the **NEGATIVE (-)** battery post.
- Do not attempt to activate or control this device in a hazardous driving situation.
- If this product uses a remote device to activate or control this product, make sure that this control is located in an area that allows both the vehicle and the control to be operated safely in any driving condition.
- This product contains either strobe light(s), halogen light(s), high-intensity LEDs or a combination of these lights. Do not stare directly into these lights. Momentary blindness and/or eye damage could result.
- Use only soap and water to clean the outer lens. Use of other chemicals could result in premature lens cracking (crazing) and discoloration. Lenses in this condition have significantly reduced effectiveness and should be replaced immediately. Inspect and operate this product regularly to confirm its proper operation and mounting condition. Do not use a pressure washer to clean this product.
- **WARNING!** All customer supplied wires that connect to the positive (+) terminal of the battery must be sized to supply at least 125% of the maximum operating current and **FUSED** "at the battery" to carry that load. **DO NOT USE CIRCUIT BREAKERS WITH THIS PRODUCT!**
- **FAILURE TO FOLLOW THESE PRECAUTIONS AND INSTRUCTIONS COULD RESULT IN DAMAGE TO THE PRODUCT OR VEHICLE AND/OR SERIOUS INJURY TO YOU AND YOUR PASSENGERS!**

Mounting:



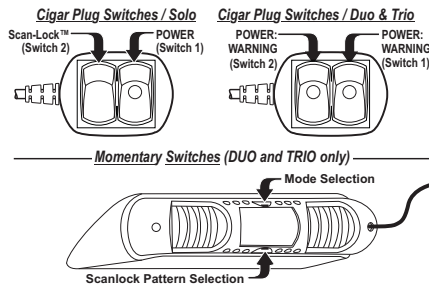
CAUTION! Nighttime operation of this product may produce reflected light within the vehicle! Use with caution!

CAUTION: This product has been designed to rest on top of the vehicle dashboard. Suction cups are used to prevent lateral movement while the vehicle is in motion. These suction cups should not be used to suspend this product above the dashboard.

1. Secure the lower mounting bracket to the Avenger II®.
2. Slide the suction cups onto the upper mounting bracket and secure the upper mounting bracket onto the lower mounting bracket.
3. Secure the visor hood to the unit.
4. With the Avenger II resting on the top of the dashboard, apply the suction cups to the windshield. Do not locate the Avenger II in any location where it will interfere with the drivers ability to safely operate the vehicle. Refer to the safety warnings on the cover of this manual.
5. Adjust the angle of the Avenger II bracket until the visor hood is in full contact with the windshield.

There are holes on the bail strap bracket to be used if permanent mounting is desired. Using the bail strap bracket as a template, mark the areas where the mounting holes are to be drilled. Secure the unit using the appropriate hardware (customer supplied).

Controls:



IMPORTANT AIR BAG WARNING! Do not install this product or route any wires in the air bag deployment zone of your vehicle. Equipment mounted or located in air bag deployment zones will damage or reduce the effectiveness of the air bag, or become a projectile that could cause serious personal injury or death. Refer to your vehicle owners manual to learn the air bag deployment zones for the vehicle. The User/Installer assumes full responsibility to determine proper mounting location, based on providing ultimate safety to all passengers inside the vehicle.

Operation: SOLO

Switch 1: Activates Warning.

- Default Pattern: SignalAlert CAL ALT
- **Switch 2: Scan-Lock Flash Pattern Selection**

Operation: DUO

Switch 1: Activates Color 1 Warning:

- Default flash pattern: SignalAlert CAL ALT
- Select from available flash patterns. (Steady Pattern will only work if a single color MODE is active.)

Switch 2: Activates Color 2 Warning.

- Default flash pattern: SignalAlert CAL ALT
- Switch 2 overrides Switch 1.
- Select from available flash patterns. (Steady Pattern only is enabled if a single color MODE is active.)

There are two push buttons located on the light. One for Mode and one for ScanLock pattern selection. The Mode button cycles thru the following:

Mode 1: Color 1 **Mode 2:** Color 2 **Mode 3:** Color 1 on driver side, Color 2 on passenger side **Mode 4:** Color 1 & Color 2

Operation TRIO:

Switch 1: Activates Color 1:

- Default flash pattern: SignalAlert CAL ALT
- Select from available flash patterns. (Steady Pattern will only work if a single color MODE is active.)

Switch 2: Activates Warning, Colors 2 & 3:

- Default flash pattern: SignalAlert 75 CAL ALT
- Switch 2 overrides Switch 1.
- Select from available flash patterns. (Steady Pattern only is enabled if a single color MODE is active.)
- Mode switch cycles through available modes. Each mode can be preset with its own flash pattern.

There are two push buttons located on the light. One for Mode and one for ScanLock pattern selection. The Mode button cycles thru the following:

Mode 1: Color 1 **Mode 2:** Color 2 **Mode 3:** Color 3 **Mode 4:** Color 1 on driver side, Color 2 on Passenger side **Mode 5:** Color 1 on driver side, color 3 on passenger side **Mode 6:** Color 2 on driver side, color 3 on passenger side **Mode 7:** Color 1 & Color 2 **Mode 8:** Color 1 & Color 3 **Mode 9:** Color 2 & Color 3 **Mode 10:** Color 1, Color 2 & Color 3

ScanLock Pattern Selection:

On SOLO models, the ScanLock button is located on the cigar plug. On DUO & TRIO models, it is located on the housing (see Controls).

To advance to the next flash pattern, press the ScanLock button for less than 1 second. To cycle backwards to previous patterns, press the ScanLock button for more than 1 second.

To reset to the factory default pattern: With power to the light off, press and hold the ScanLock button. Turn the light on and keep the ScanLock button pressed for at least 5 seconds before releasing.

Pattern List

- | | | |
|-------------------------|--------------------------|---------------------------|
| 1. SignalAlert™ CAL ALT | 21. SingleFlash 300 ALT | 41. Action SF120/TF75 ALT |
| 2. SignalAlert™ CAL SIM | 22. SingleFlash 300 SIM | 42. Action SF120/TF75 SIM |
| 3. CometFlash™ 75 ALT | 23. DoubleFlash 120 ALT | 43. CalScan™ ALT |
| 4. CometFlash™ 75 SIM | 24. DoubleFlash 120 SIM | 44. CalScan™ SIM |
| 5. DoubleFlash 75 ALT | 25. ComAlert™ 150 ALT | 45. ModuFlash™ ALT |
| 6. DoubleFlash 75 SIM | 26. ComAlert™ 150 SIM | 46. ModuFlash™ SIM |
| 7. SingleFlash 75 ALT | 27. PingPong™ 120 ALT | 47. ActionScan™ ALT |
| 8. SingleFlash 75 SIM | 28. PingPong™ 120 SIM | 48. ActionScan™ SIM |
| 9. ComAlert™ 75 ALT | 29. TripleFlash™ 75 ALT | 49. CAL CometFlash® ALT |
| 10. ComAlert™ 75 SIM | 30. TripleFlash™ 75 SIM | 50. CAL CometFlash® SIM |
| 11. LongBurst™ 75 ALT | 31. TripleFlash™ 120 ALT | 51. SteadyFlash™ 60 |
| 12. LongBurst™ 75 SIM | 32. TripleFlash™ 120 SIM | 52. SteadyFlash™ 75 |
| 13. PingPong™ 75 ALT | 33. ActionFlash™ 50 ALT | 53. SteadyFlash™ 90 |
| 14. PingPong™ 75 SIM | 34. ActionFlash™ 50 SIM | 54. SteadyFlash™ 120 |
| 15. SingleFlash 60 ALT | 35. ActionFlash™ 150 ALT | 55. Steady & Steady |
| 16. SingleFlash 60 SIM | 36. ActionFlash™ 150 SIM | |
| 17. SingleFlash 90 ALT | 37. SignalAlert 75 ALT | ALT = Alternating |
| 18. SingleFlash 90 SIM | 38. SignalAlert 75 SIM | SIM = Simultaneous |
| 19. SingleFlash 120 ALT | 39. Action SF 60/120 ALT | BOLD = CA Title XIII |
| 20. SingleFlash 120 SIM | 40. Action SF 60/120 SIM | |

IMPORTANT WARNING!

CAUTION! DO NOT LOOK DIRECTLY AT THESE LEDS WHILE THEY ARE ON. MOMENTARY BLINDNESS AND/OR EYE DAMAGE COULD RESULT!

Warnings to Installers

Whelen's emergency vehicle warning devices must be properly mounted and wired in order to be effective and safe. Read and follow all of Whelen's written instructions when installing or using this device. Emergency vehicles are often operated under high speed stressful conditions which must be accounted for when installing all emergency warning devices. Controls should be placed within convenient reach of the operator so that he can operate the system without taking his eyes off the roadway. Emergency warning devices can require high electrical voltages and/or currents. Properly protect and use caution around live electrical connections. Grounding or shorting of electrical connections can cause high current arcing, which can cause personal injury and/or vehicle damage, including fire. Many electronic devices used in emergency vehicles can create or be affected by electromagnetic interference. Therefore, after installation of any electronic device it is necessary to test all electronic equipment simultaneously to insure that they operate free of interference from other components within the vehicle. Never power emergency warning equipment from the same circuit or share the same grounding circuit with radio communication equipment. All devices should be mounted in accordance with the manufacturer's instructions and securely fastened to vehicle elements of sufficient strength to withstand the forces applied to the device. Driver and/or passenger air bags (SRS) will affect the way equipment should be mounted. This device should be mounted by permanent installation and within the zones specified by the vehicle manufacturer, if any. Any device mounted in the deployment area of an air bag will damage or reduce the effectiveness of the air bag and may damage or dislodge the device. Installer must be sure that this device, its mounting hardware and electrical supply wiring does not interfere with the air bag or the SRS wiring or sensors. Mounting the unit inside the vehicle by a method other than permanent installation is not recommended as unit may become dislodged during swerving; sudden braking or collision. Failure to follow instructions can result in personal injury. Whelen assumes no liability for any loss resulting from the use of this warning device. **PROPER INSTALLATION COMBINED WITH OPERATOR TRAINING IN THE PROPER USE OF EMERGENCY WARNING DEVICES IS ESSENTIAL TO INSURE THE SAFETY OF EMERGENCY PERSONNEL AND THE PUBLIC.**

Warnings to Users

Whelen's emergency vehicle warning devices are intended to alert other operators and pedestrians to the presence and operation of emergency vehicles and personnel. However, the use of this or any other Whelen emergency warning device does not guarantee that you will have the right-of-way or that other drivers and pedestrians will properly heed an emergency warning signal. Never assume you have the right-of-way. It is your responsibility to proceed safely before entering an intersection, driving against traffic, responding at a high rate of speed, or walking on or around traffic lanes. Emergency vehicle warning devices should be tested on a daily basis to ensure that they operate properly. When in actual use, the operator must ensure that both visual and audible warnings are not blocked by vehicle components (i.e.: open trunks or compartment doors), people, vehicles, or other obstructions. It is the user's responsibility to understand and obey all laws regarding emergency warning devices. The user should be familiar with all applicable laws and regulations prior to the use of any emergency vehicle warning device. Whelen's audible warning devices are designed to project sound in a forward direction away from the vehicle occupants. However, because sustained periodic exposure to loud sounds can cause hearing loss, all audible warning devices should be installed and operated in accordance with the standards established by the National Fire Protection Association.