

# WHELEN<sup>®</sup>

## ENGINEERING COMPANY

51 Winthrop Road  
 Chester, Connecticut 06412-0684  
 Phone: (860) 526-9504  
 Internet: [www.whelen.com](http://www.whelen.com)  
 Sales e-mail: [autosale@whelen.com](mailto:autosale@whelen.com)  
 Customer Service e-mail: [custserv@whelen.com](mailto:custserv@whelen.com)

**Installation Guide:**  
**Control Point Module**  
**for WeCanX™ Lightbars**  
**Model: CCP**

**⚠ WARNING:** This product can expose you to chemicals including Lead which is known to the State of California to cause cancer and birth defects or other reproductive harm. For more information go to [www.P65Warnings.ca.gov](http://www.P65Warnings.ca.gov).

The WeCanX (WCX) Control Point Module serves as the main controller of the Whelen WCX Series lightbar. When utilizing the Whelen Command Programming Software, this module can be configured via the USB port to provide the necessary instructions that allow the WCX lightbar to function and operate in the desired manner.

### Diagnostic Output (J1, Pin 2):

The Diagnostic Output is a high-side programmable output signal, capable of syncing a maximum of 2.5 AMPS

### Ignition Sense (J2, Pin 1):

The Ignition Sense Input is to be wired to an ignition signal line on the vehicle. This will enable the WCX Control Point Module to

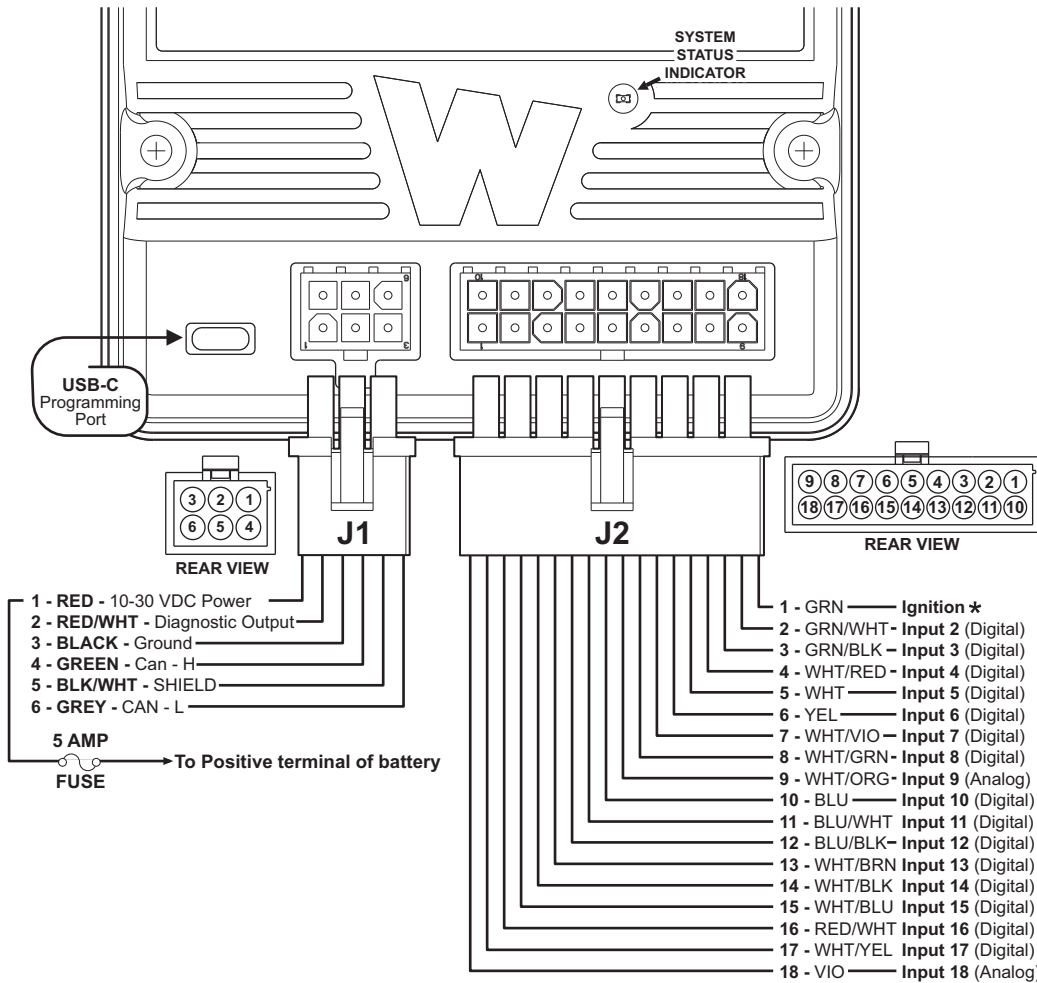
turn on (line high, ignition sensed), or turn off (line low, ignition off).

### Digital Inputs (J2, Pins 2-8 / Pins 10-17):

These pins are used as programmable digital inputs, activated by applying +VBAT to the input pin. These inputs can be used to trigger instructions for lightbar operation.

### Analog Inputs (J2, Pins 9 / 18):

These pins are used as programmable analog inputs, capable of registering a range of voltages that can trigger lightbar operations when responding to voltage trip points set by the Whelen Command Programming Software.



\* Connect to an ignition controlled circuit that can accommodate an additional 250 mA load.