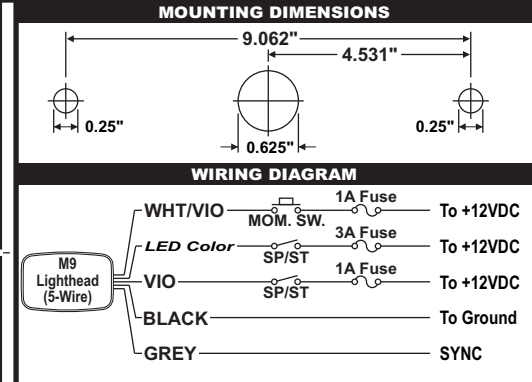
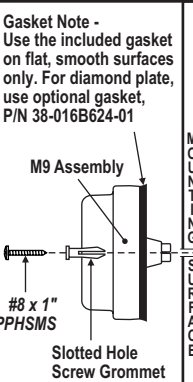


51 Winthrop Road
 Chester, Connecticut 06412-0684
 Phone: (860) 526-9504
 Sales Email: autosale@whelen.com
 Canadian Sales: canadiansales@whelen.com
 Customer Service: custserv@whelen.com

Safety First: This document provides all the necessary information to allow your Whelen product to be properly and safely installed. Before beginning the installation and/or operation of your new product, the installation technician and operator must read this manual completely. Important information is contained herein that could prevent serious injury or damage.

- Proper installation of this product requires the installer to have a good understanding of automotive electronics, systems and procedures.
- Whelen Engineering requires the use of waterproof butt splices and/or connectors if that connector could be exposed to moisture.
- Failure to use specified installation parts and/or hardware will void the product warranty!
- If mounting this product requires drilling holes, the installer **MUST** be sure that no vehicle components or other vital parts could be damaged by the drilling process. Check both sides of the mounting surface before drilling begins. Also de-burr any holes and remove any metal shards or remnants. Install grommets into all wire passage holes.
- Do not install this product or route any wires in the deployment area of your air bag. Equipment mounted or located in the air bag deployment area will damage or reduce the effectiveness of the air bag, or become a projectile that could cause serious personal injury or death. Refer to your vehicle owner's manual for the air bag deployment area. The User/Installer assumes full responsibility to determine proper mounting location, based on providing ultimate safety to all passengers inside the vehicle.
- For this product to operate at optimum efficiency, a good electrical connection to chassis ground must be made. The recommended procedure requires the product ground wire to be connected directly to the **NEGATIVE (-) battery post.**
- If this product uses a remote device to activate or control this product, make sure that this control is located in an area that allows both the vehicle and the control to be operated safely in any driving condition.
- Do not attempt to activate or control this device in a hazardous driving situation.
- This product contains either strobe light(s), halogen light(s), high-intensity LEDs or a combination of these lights. Do not stare directly into these lights. Momentary blindness and/or eye damage could result.
- Use only soap and water to clean the outer lens. Use of other chemicals could result in premature lens cracking (crazing) and discoloration. Lenses in this condition have significantly reduced effectiveness and should be replaced immediately. Inspect and operate this product regularly to confirm its proper operation and mounting condition. Do not use a pressure washer to clean this product.
- **WARNING!** All customer supplied wires that connect to the positive (+) terminal of the battery must be sized to supply at least 125% of the maximum operating current and **FUSED** "at the battery" to carry that load. **DO NOT USE CIRCUIT BREAKERS WITH THIS PRODUCT!**
- **FAILURE TO FOLLOW THESE PRECAUTIONS AND INSTRUCTIONS COULD RESULT IN DAMAGE TO THE PRODUCT OR VEHICLE AND/OR SERIOUS INJURY TO YOU AND YOUR PASSENGERS**

- Using the dimensions below, mark the mounting and wire hole locations onto the proposed mounting surface. Drill two, .250" diameter mounting holes and a .625" (minimum) wire access hole into the mounting surface.
- Place the appropriate gasket into position on the rear of the M9 assembly (see Gasket Note). Insert the slotted hole screw grommet through the mounting holes on the M9/Gasket assembly. Feed the M9 wires through the wire access hole in the mounting surface. Press the M9/Gasket/Grommet assembly onto its mounting location so that it is flat against the mounting surface.
- With the assembly in position and using the hardware provided, tighten the mounting screws until the lighthouse assembly is drawn firmly against the mounting surface. **DO NOT OVERTIGHTEN!**
- Using appropriately sized wires (minimum 18 AWG), extend the M9 wires to their designated connections. Refer to the diagram below for wiring information.



Flash Mode / LED Color: Wire will be the color of the LED in the light. Apply +VBAT to the LED Color wire to activate the lighthouse in "flash mode". With flash mode activated, you may change the flash pattern using Scan-Lock™.

VIOLET - Low Power Mode: Applying +VBAT to the VIO wire while Flash Mode is active sets the lighthouse to Low Power Mode. Low Power Mode flash pattern can be set to a different flash pattern than Flash Mode using Scan Lock. By default, Low Power Mode flash pattern is #188 DVI Single Flash 75 Lo Intensity All On. **NOTE: High and Low power patterns are chosen separately. Scan-Lock™+ by Whelen can be used for easier pattern selection.**

WHITE/VIO - ScanLock™ Pattern Selection: This feature allows the user to select from several available flash patterns. Lighthouse must be switched on for Scan-Lock to work.

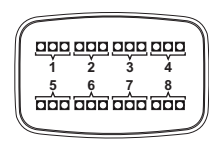
TO CYCLE THROUGH ALL PATTERNS: Apply +VBAT to the WHT/ VIO wire for less than 1 second and release. To cycle backward, apply +VBAT to the WHT/VIO wire for over 1 second and release.

TO SET A PATTERN AS DEFAULT: Allow the pattern to run for more than 5 seconds. The lighthouse will now display this pattern when active.

TO RESET TO THE FACTORY DEFAULT PATTERN: Turn off power. While applying +VBAT to the WHT/VIO wire, turn power on. The lighthouse will reset to its default pattern.

GREY - SYNC: To SYNC 2 lighthouses, configure both lighthouses to display the same Phase 1 (Simultaneous) pattern. Turn power off and connect the GREY wire from each lighthouse together. Activate the lighthouses and their patterns will be synchronized. To configure 2 lighthouses to alternate their patterns advance either lighthouse to Phase 2 (Alternating) of the current pattern.

M9 Sequencing & Phasing: The M9 lighthouse has 8 sets of 3 LEDs. These sets cycle through the 5 sequences shown below.



Sequences	Operation of LED sets		
	Solid	All On Alternates with	All Off
Left to Right (L/R)	1 - 2 - 5 - 6	Alternates with	3 - 4 - 7 - 8
Top to Bottom (T/B)	1 - 2 - 3 - 4	Alternates with	5 - 6 - 7 - 8
In and Out (I/O)	1 - 2 - 3 - 6 - 7	Alternates with	1 - 4 - 5 - 8
Diagonal (Diag)	1 - 2 - 7 - 8	Alternates with	5 - 6 - 3 - 4

High Power	SYNC PH	Low Power	SYNC PH	High Power	SYNC PH	Low Power	SYNC PH
1 SignalAlert 75 All On (Default)	Yes	1 SignalAlert 75 All On	Yes	105 ActionFlash 50 Diag		1 ActionFlash 50 Diag	
2 SignalAlert 75 All On	Yes	2 SignalAlert 75 All On	Yes	106 ActionFlash 150 All On		1 ActionFlash 150 All On	
3 SignalAlert 75 Left/Right	Yes	3 SignalAlert 75 Left/Right	Yes	107 ActionFlash 150 Left/Right		1 ActionFlash 150 Left/Right	
4 SignalAlert 75 Right/Left	Yes	4 SignalAlert 75 Right/Left	Yes	108 ActionFlash 150 Up/Down		1 ActionFlash 150 Up/Down	
5 SignalAlert 75 Up/Down	Yes	5 SignalAlert 75 Up/Down	Yes	109 ActionFlash 150 In/Out		1 ActionFlash 150 In/Out	
6 SignalAlert 75 Down/Up	Yes	6 SignalAlert 75 Down/Up	Yes	110 ActionFlash 150 Diag		1 ActionFlash 150 Diag	
7 SignalAlert In/Out	Yes	7 SignalAlert In/Out	Yes	111 ModuFlash All On		1 ModuFlash All On	
8 SignalAlert 75 OutIn	Yes	8 SignalAlert 75 OutIn	Yes	112 ModuFlash Left/Right		1 ModuFlash Left/Right	
9 SignalAlert 75 Diag	Yes	9 SignalAlert 75 Diag	Yes	113 ModuFlash Up/Down		1 ModuFlash Up/Down	
10 SignalAlert 75 Diag	Yes	10 SignalAlert 75 Diag	Yes	114 ModuFlash In/Out		1 ModuFlash In/Out	
11 ComeFlash 75 All On	Yes	11 ComeFlash 75 All On	Yes	115 ModuFlash Diag		1 ModuFlash Diag	
12 ComeFlash 75 All On	Yes	12 ComeFlash 75 All On	Yes	116 DoubleFlash 120 All On		1 DoubleFlash 120 All On	
13 ComeFlash 75 Left/Right	Yes	13 ComeFlash 75 Left/Right	Yes	117 DoubleFlash 120 Left/Right		1 DoubleFlash 120 Left/Right	
14 ComeFlash 75 Right/Left	Yes	14 ComeFlash 75 Right/Left	Yes	118 DoubleFlash 120 Up/Down		1 DoubleFlash 120 Up/Down	
15 ComeFlash 75 Up/Down	Yes	15 ComeFlash 75 Up/Down	Yes	119 DoubleFlash 120 In/Out		1 DoubleFlash 120 In/Out	
16 ComeFlash 75 Down/Up	Yes	16 ComeFlash 75 Down/Up	Yes	120 DoubleFlash 120 Diag		1 DoubleFlash 120 Diag	
17 ComeFlash 75 In/Out	Yes	17 ComeFlash 75 In/Out	Yes	121 PingPong 120 All On		1 PingPong 120 All On	
18 ComeFlash 75 OutIn	Yes	18 ComeFlash 75 OutIn	Yes	122 PingPong 120 Left/Right		1 PingPong 120 Left/Right	
19 ComeFlash 75 Diag	Yes	19 ComeFlash 75 Diag	Yes	123 PingPong 120 Up/Down		1 PingPong 120 Up/Down	
20 ComeFlash 75 Diag	Yes	20 ComeFlash 75 Diag	Yes	124 PingPong 120 In/Out		1 PingPong 120 In/Out	
21 DoubleFlash 75 All On	Yes	1 DoubleFlash 75 All On	Yes	125 PingPong 120 Diag		1 PingPong 120 Diag	
22 DoubleFlash 75 All On	Yes	2 DoubleFlash 75 All On	Yes	126 TripleFlash 75 All On	Yes	1 TripleFlash 75 All On	Yes
23 DoubleFlash 75 Left/Right	Yes	1 DoubleFlash 75 Left/Right	Yes	127 TripleFlash 75 Left/Right	Yes	1 TripleFlash 75 Left/Right	Yes
24 DoubleFlash 75 Right/Left	Yes	1 DoubleFlash 75 Right/Left	Yes	128 TripleFlash 75 Up/Down	Yes	1 TripleFlash 75 Up/Down	Yes
25 DoubleFlash 75 Up/Down	Yes	1 DoubleFlash 75 Up/Down	Yes	129 TripleFlash 75 In/Out	Yes	1 TripleFlash 75 In/Out	Yes
26 DoubleFlash 75 Down/Up	Yes	2 DoubleFlash 75 Down/Up	Yes	130 TripleFlash 75 Diag	Yes	1 TripleFlash 75 Diag	Yes
27 DoubleFlash 75 In/Out	Yes	1 DoubleFlash 75 In/Out	Yes	131 TripleFlash 120 All On		1 TripleFlash 120 All On	
28 DoubleFlash 75 OutIn	Yes	2 DoubleFlash 75 OutIn	Yes	132 TripleFlash 120 Left/Right		1 TripleFlash 120 Left/Right	
29 DoubleFlash 75 Diag	Yes	1 DoubleFlash 75 Diag	Yes	133 TripleFlash 120 Up/Down		1 TripleFlash 120 Up/Down	
30 DoubleFlash 75 Diag	Yes	2 DoubleFlash 75 Diag	Yes	134 TripleFlash 120 In/Out		1 TripleFlash 120 In/Out	
31 SingleFlash 75 All On	Yes	1 SingleFlash 75 All On	Yes	135 TripleFlash 120 Diag		1 TripleFlash 120 Diag	
32 SingleFlash 75 All On	Yes	2 SingleFlash 75 All On	Yes	136 Action 60 All On		1 Action 60 All On	
33 SingleFlash 75 Left/Right	Yes	1 SingleFlash 75 Left/Right	Yes	137 Action 60 Left/Right		1 Action 60 Left/Right	
34 SingleFlash 75 Right/Left	Yes	2 SingleFlash 75 Right/Left	Yes	138 Action 60 Up/Down		1 Action 60 Up/Down	
35 SingleFlash 75 Up/Down	Yes	1 SingleFlash 75 Up/Down	Yes	139 Action 60 In/Out		1 Action 60 In/Out	
36 SingleFlash 75 Down/Up	Yes	2 SingleFlash 75 Down/Up	Yes	140 Action 60 Diag		1 Action 60 Diag	
37 SingleFlash 75 In/Out	Yes	1 ComAlert 75 All On	Yes	141 Action 120 All On		1 Action 120 All On	
38 SingleFlash 75 OutIn	Yes	2 SingleFlash 75 OutIn	Yes	142 Action 120 Left/Right		1 Action 120 Left/Right	
39 SingleFlash 75 Diag	Yes	1 SingleFlash 75 Diag	Yes	143 Action 120 Up/Down		1 Action 120 Up/Down	
40 SingleFlash 75 Diag	Yes	2 SingleFlash 75 Diag	Yes	144 Action 120 In/Out		1 Action 120 In/Out	
41 ComAlert 75 All On	Yes	1 ComAlert 75 All On	Yes	145 Action 120 Diag		1 Action 120 Diag	
42 ComAlert 75 All On	Yes	2 ComAlert 75 All On	Yes	146 Cylon Slow		1 Cylon Slow	
43 ComAlert 75 Left/Right	Yes	1 ComAlert 75 Left/Right	Yes	147 Cylon Medium		1 Cylon Medium	
44 ComAlert 75 Right/Left	Yes	2 ComAlert 75 Right/Left	Yes	148 Cylon Fast		1 Cylon Fast	
45 ComAlert 75 Up/Down	Yes	1 ComAlert 75 Up/Down	Yes	149 Cylon Variable		1 Cylon Variable	
46 ComAlert 75 Down/Up	Yes	2 ComAlert 75 Down/Up	Yes	150 Cylon Medium w/Flash		1 Cylon Medium w/Flash	
47 ComAlert 75 In/Out	Yes	1 ComAlert 75 In/Out	Yes				
48 ComAlert 75 OutIn	Yes	2 ComAlert 75 OutIn	Yes				
49 ComAlert 75 Diag	Yes	1 ComAlert 75 Diag	Yes				
50 ComAlert 75 Diag	Yes	2 ComAlert 75 Diag	Yes				
51 LongBurst 75 All On	Yes	1 LongBurst 75 All On	Yes				
				151 Pinwheel Slow		1 Pinwheel Slow	
					1 Pinwheel Medium		
					1 Pinwheel Fast		
					1 Pinwheel Variable		
					1 Pinwheel Medium w/Flash		
					1 SigAlert Steady		
					1 ActionScan		
					1 CalScan		
					1 DVI SingleFlash 60 Hi Intensity Diag		
					1 DVI SingleFlash 60 Hi Intensity In/Out		
					1 DVI SingleFlash 60 Hi Intensity Left/Right		
					1 DVI SingleFlash 60 Hi Intensity Up/Down		
					1 DVI SingleFlash 60 Hi Intensity In/Out		
					1 DVI SingleFlash 60 Hi Intensity Left/Right		
					1 DVI SingleFlash 60 Hi Intensity Up/Down		
					1 DVI SingleFlash 75 Hi Intensity All On		
					1 DVI SingleFlash 75 Hi Intensity Left/Right		
					1 DVI SingleFlash 75 Hi Intensity Up/Down		
					1 DVI SingleFlash 75 Hi Intensity In/Out		
					1 DVI SingleFlash 75 Hi Intensity Left/Right		
					1 DVI SingleFlash 75 Hi Intensity Up/Down		
					1 DVI SingleFlash 75 Hi Intensity In/Out		
					1 DVI SingleFlash 75 Hi Intensity All On		
					1 Steady On		
					1 DVI SingleFlash 75 Lo Intensity OutIn		
					1 DVI SingleFlash 75 Lo Intensity Left/Right		
					1 DVI SingleFlash 75 Lo Intensity Up/Down		
					1 DVI SingleFlash 75 Hi Intensity Up/Down		
					1 DVI SingleFlash 75 Lo Intensity Up/Down		
					1 DVI SingleFlash 75 Lo Intensity Left/Right		
					1 DVI SingleFlash 75 Hi Intensity Right/Left		
					1 DVI SingleFlash 75 Hi Intensity Left/Right		
					1 DVI SingleFlash 75 Lo Intensity Right/Left		
					1 DVI SingleFlash 75 Lo Intensity Left/Right		
					1 DVI SingleFlash 75 Hi Intensity All On		
					1 DVI SingleFlash 75 Hi Intensity In/Out		
					1 Steady On		
					1 DVI SingleFlash 75 Lo Intensity All On		
					1 DVI SingleFlash 75 Low Intensity All On		