

# WHELEN<sup>®</sup>

ENGINEERING COMPANY

51 Winthrop Road,  
Chester, Connecticut 06412-0684  
Phone: (860) 526-9504

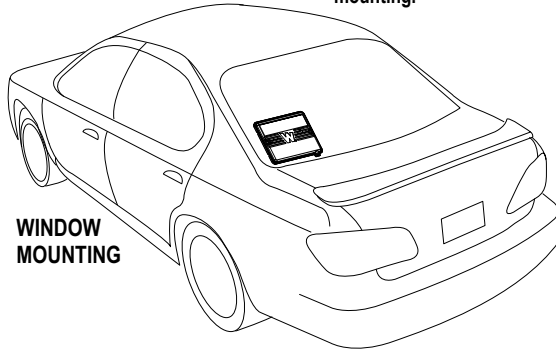
Internet: [www.whelen.com](http://www.whelen.com)  
Sales e-mail: [autosale@whelen.com](mailto:autosale@whelen.com)  
Customer Service e-mail: [custserv@whelen.com](mailto:custserv@whelen.com)

## Installation Guide: WeCanX™ V2V Sync Module

**⚠ WARNING:** This product can expose you to chemicals including Lead which is known to the State of California to cause cancer and birth defects or other reproductive harm. For more information go to [www.P65Warnings.ca.gov](http://www.P65Warnings.ca.gov).

### Mounting the V2V Module

**IMPORTANT:** Clean module and mounting surface with an isopropyl alcohol wipe prior to mounting.



WINDOW  
MOUNTING

### Mounting to Vehicle:

It is recommended you mount the module to the dashboard or rear deck of the vehicle however it can be mounted to any surface or window. If mounted to a window it is recommended to use 3M SJ3560 Dual Lock tape. The module must be mounted face up (side with logo). This is the side that receives the signal. If mounted to a window, the face must point out of the vehicle.

©2021 Whelen Engineering Company Inc.  
Form No.14D18D (032822)

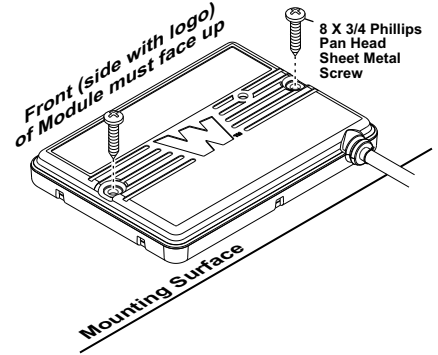
For warranty information regarding this product, visit [www.whelen.com/warranty](http://www.whelen.com/warranty)

### Mounting to Dash, Rear Deck or other surface:

#### IMPORTANT!

It is the responsibility of the installation technician to make sure the installation and operation of this product will not interfere with or compromise the operation or efficiency of any other vehicle equipment!

Before returning the vehicle to active service, visually confirm the proper operation of this product, as well as all vehicle components or equipment.



# WHELEN<sup>®</sup>

ENGINEERING COMPANY

51 Winthrop Road,  
Chester, Connecticut 06412-0684  
Phone: (860) 526-9504

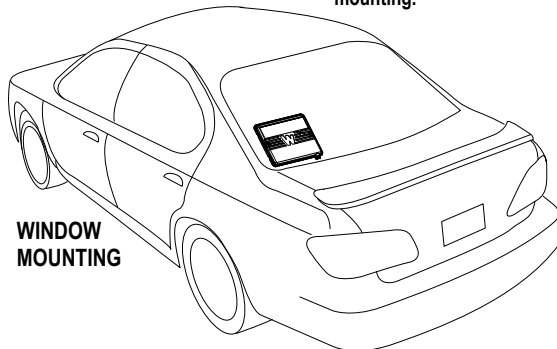
Internet: [www.whelen.com](http://www.whelen.com)  
Sales e-mail: [autosale@whelen.com](mailto:autosale@whelen.com)  
Customer Service e-mail: [custserv@whelen.com](mailto:custserv@whelen.com)

## Installation Guide: WeCanX™ V2V Sync Module

**⚠ WARNING:** This product can expose you to chemicals including Lead which is known to the State of California to cause cancer and birth defects or other reproductive harm. For more information go to [www.P65Warnings.ca.gov](http://www.P65Warnings.ca.gov).

### Mounting the V2V Module

**IMPORTANT:** Clean module and mounting surface with an isopropyl alcohol wipe prior to mounting.



WINDOW  
MOUNTING

### Mounting to Vehicle:

It is recommended you mount the module to the dashboard or rear deck of the vehicle however it can be mounted to any surface or window. If mounted to a window it is recommended to use 3M SJ3560 Dual Lock tape. The module must be mounted face up (side with logo). This is the side that receives the signal. If mounted to a window, the face must point out of the vehicle.

©2021 Whelen Engineering Company Inc.  
Form No.14D18D (032822)

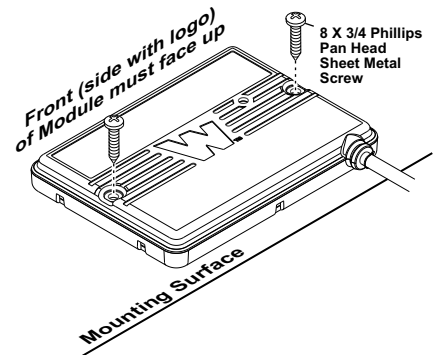
For warranty information regarding this product, visit [www.whelen.com/warranty](http://www.whelen.com/warranty)

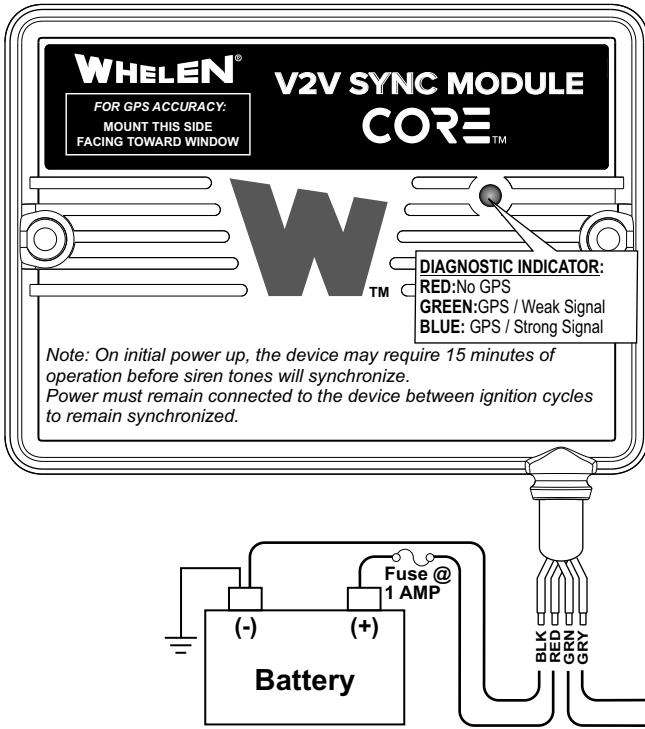
### Mounting to Dash, Rear Deck or other surface:

#### IMPORTANT!

It is the responsibility of the installation technician to make sure the installation and operation of this product will not interfere with or compromise the operation or efficiency of any other vehicle equipment!

Before returning the vehicle to active service, visually confirm the proper operation of this product, as well as all vehicle components or equipment.



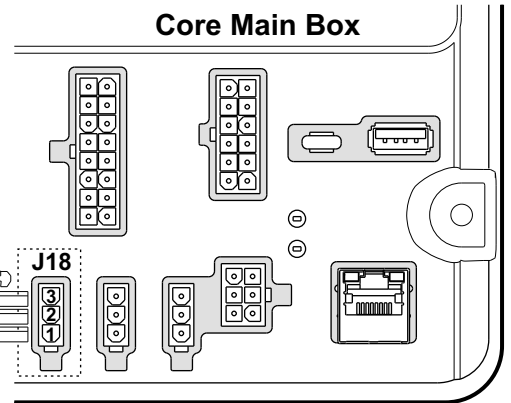


**V2V Sync Module:**

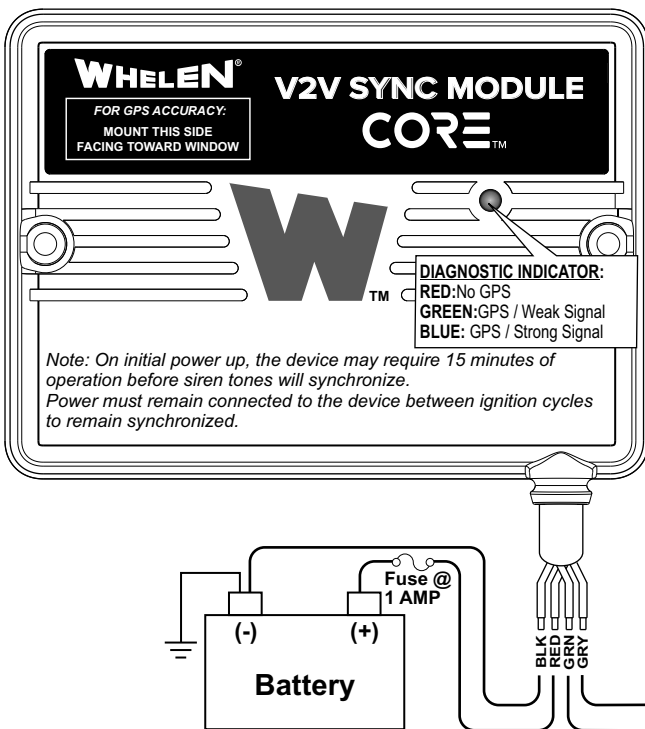
Wire as shown installing a customer supplied fuse into the power wire. Plug the connector into J18 of Core Main Box and operate using the Core system.

**Specifications:**

Input Voltage: +10-30 VDC  
Current Draw: 30 mA



Note: BLK/WHT wire from J18 port is a shield wire. It is recommended to ground shield wire on both ends to help reduce unwanted electromagnetic interference.

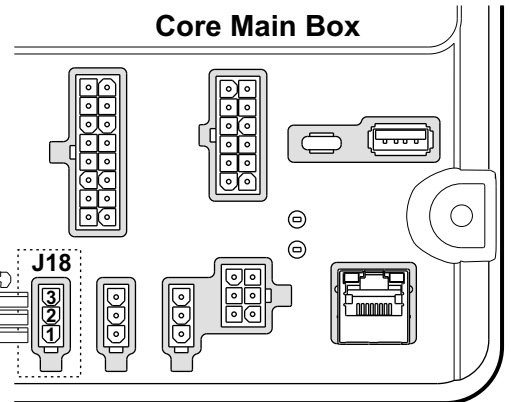


**V2V Sync Module:**

Wire as shown installing a customer supplied fuse into the power wire. Plug the connector into J18 of Core Main Box and operate using the Core system.

**Specifications:**

Input Voltage: +10-30 VDC  
Current Draw: 30 mA



Note: BLK/WHT wire from J18 port is a shield wire. It is recommended to ground shield wire on both ends to help reduce unwanted electromagnetic interference.