



# Perimeter Enhancement Light

## LIGHTHEADS



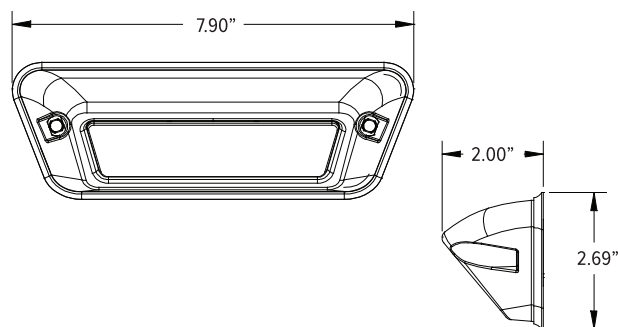
Delivering downward projected, high intensity white ground lighting to illuminate the work area around emergency and utility vehicles, Perimeter Enhancement Lights have a multi-purpose design that can be utilized in a variety of applications.

## FEATURES

- Fully encapsulated for moisture, vibration, and corrosion resistance
- Same mounting dimensions as original PEL models
- Light is projected downward at a 40° angle for widespread ground illumination
- Hard-coated lenses minimize environmental damage from sand, sun, salt, and road chemicals
- Whelen's patented E Block™ technology prevents moisture from entering the lighthouse
- Mounts to vertical surfaces and may be mounted inverted
- Molded rubber gaskets protect body panels
- Available in single or two color

## SPECS

Voltage: 10-30 VDC  
 12 VDC: .650 amps  
 24 VDC: .375 amps  
 Certifications: NFPA 1901 13.10.1.1 (rear ground lighting)  
 NFPA 1901-1917 13.10.1.2 (underbody ground level)  
 R10  
 Warranty: 5-Year warranty



## Perimeter Enhancement Light

PEL2C	White, Steady, Chrome Flange, 10-30 VDC (Replaces PELCC)
PEL2B	White, Steady, Black Flange, 10-30 VDC (Replaces PELCB)
PEL2W	White, Steady, White Flange, 10-30 VDC (Replaces PELCW)
PEL2R	White, Steady, Red Flange, 10-30 VDC (Replaces PELCR)
PEL2Y	White, Steady, Yellow Flange, 10-30 VDC (Replaces PELCY)
PEL2C*	Single Color Steady, Chrome Flange, Red, Blue or Amber, 10-30 VDC
PEL2B*	Single Color Steady, Black Flange, Red, Blue or Amber, 10-30 VDC
PEL2W*	Single Color Steady, White Flange, Red, Blue or Amber, 10-30 VDC
PEL2R*	Single Color Steady, Red Flange, Red, Blue or Amber, 10-30 VDC
PEL2Y*	Single Color Steady, Yellow Flange, Red, Blue or Amber, 10-30 VDC
PEL2C#	Two Color Steady, Chrome Flange, Red/White, Blue/White or Amber/White, 10-30 VDC
PEL2B#	Two Color Steady, Black Flange, Red/White, Blue/White or Amber/White, 10-30 VDC
PEL2W#	Two Color Steady, White Flange, Red/White, Blue/White or Amber/White, 10-30 VDC
PEL2R#	Two Color Steady, Red Flange, Red/White, Blue/White or Amber/White, 10-30 VDC
PEL2Y#	Two Color Steady, Yellow Flange, Red/White, Blue/White or Amber/White, 10-30 VDC

\* Replace symbol in model number with letter indicating desired color:  
 A=Amber, R=Red, B=Blue  
 # Replace symbol in model number with letter indicating desired color:  
 D=(Red/White), E (Blue/White), F (Amber/White)

**WARNING:** This product may contain chemicals known to the State of California to cause cancer and birth defects or other reproductive harm. For more information, visit [whelen.com/regulatory](http://whelen.com/regulatory).

All products proudly designed, manufactured, and assembled in the U.S.A.  
 • ISO 9001 Registered QMS

Whelen Engineering reserves the right to upgrade and improve products without notice.  
 © 2022 Whelen Engineering Company, Inc. Printed in U.S.A.  
 Code No. 13433B - 12/20/2022

**WHELEN**<sup>®</sup>  
 MANUFACTURED IN AMERICA

51 Winthrop Road  
 Chester, Connecticut 06412-0684  
 (860) 526-9504 • [www.whelen.com](http://www.whelen.com)  
 @WhelenENG