

# 900 EZ Scene Light™



904SLC

Our premium 900 EZ Scene Lights provide optimal versatility and performance. Featuring high-intensity white illumination with expanded options and functionality, these adaptable lightheads supply powerful scene lighting for a wide range of situations. 900 EZ Scene Lights also offer multiple options for vehicle applications and are installed easily.

## FEATURES

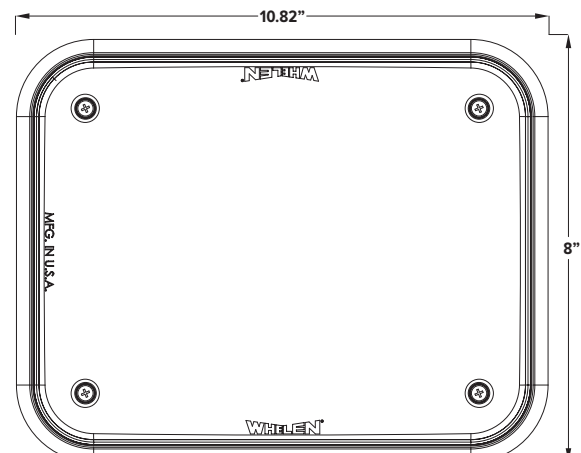
- Redesigned optic aesthetics, light output, and light pattern optimizes light dispersion
- Gradient Opti-Scenelight™ technology enables efficient use of light
- Hard-coated lenses minimize environmental damage from sand, sun, salt, and road chemicals
- Selectable turn-on functionality
  - Multiple turn-on styles ranging from instant to gradual (Slow, Medium, Fast, Instant)
  - Three low-power settings provide situation-specific lighting for a variety of scenarios
- Surface mount
- Includes a 6" pigtail

## SPECS

- Voltage: 12VDC or 24VDC
- Amps: 8.2 Amps at 12VDC  
4.1 Amps at 24VDC
- Warranty: 5-Year warranty
- Dimensions: 10.82" (275mm) W x 8" (203mm) H x 2.63" (67mm) D

### 900 EZ Scene Light

904SLC	White, Includes Chrome Flange, Slow Ramp Up, and Ramp to Low Power Features, 12VDC
904SLB	White, Includes Black Flange, Slow Ramp Up, and Ramp to Low Power Features, 12VDC
904SLC4	White, Includes Chrome Flange, Slow Ramp Up, and Ramp to Low Power Features, 24VDC
904SLB4	White, Includes Black Flange, Slow Ramp Up, and Ramp to Low Power Features, 24VDC



**WARNING:** This product may contain chemicals known to the State of California to cause cancer and birth defects or other reproductive harm. For more information, visit [whelen.com/regulatory](http://whelen.com/regulatory).

All products proudly designed, manufactured, and assembled in the U.S.A.

• ISO 9001 Registered QMS

Whelen Engineering reserves the right to upgrade and improve products without notice.  
© 2023 Whelen Engineering Company, Inc. Printed in U.S.A.  
Code No. P13434B - 07/18/2023

**WHELEN**  
MANUFACTURED IN AMERICA

51 Winthrop Road  
Chester, Connecticut 06412-0684  
(860) 526-9504  
[www.whelen.com](http://www.whelen.com)

