

600 EZ SCENE LIGHT™



LIGHTHEAD

The 600 EZ Scene Light provides optimal versatility and performance. Featuring high-intensity white illumination with expanded options and functionality, these adaptable lightheads supply powerful scene lighting for a wide range of situations. Installation is easy and multiple vehicle application options are available ensuring seamless integration with your fleet.



604SLC

FEATURES

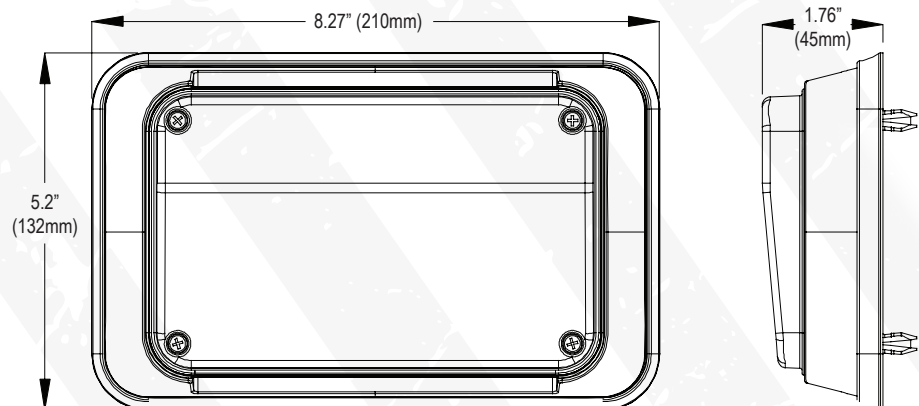
- Hard-coated lenses minimize environmental damage from sand, sun, salt, and road chemicals
- Conformal coating protects electronics from moisture and provides vibration resistance
- Gradient Opti-Scenelight™ technology enables efficient use of light
- Multiple turn-on styles ranging from instant to gradual (Slow, Medium, Fast, Instant)
- Three low-power settings provide situation-specific lighting for a variety of scenarios
- Surface mount
- Includes a 6" pigtail
- Available with a Black or Chrome flange

MODELS

604SLC	600 EZ Scene Light™, Chrome
604SLB	600 EZ Scene Light, Black

SPECS

Current: 12.8V - 2.0A | 25.6V - 1.0A
Certifications: IP67 Rated
Warranty: 5 year



⚠ WARNING: This product may contain chemicals known to the State of California to cause cancer and birth defects or other reproductive harm. For more information, visit whelen.com/regulatory.

All products proudly designed, manufactured, and assembled in the U.S.A.
• ISO 9001 Registered QMS

Whelen Engineering reserves the right to upgrade and improve products without notice.
© 2023 Whelen Engineering Company, Inc. Printed in U.S.A.
Code No. P13469A - 9/2023

WHELEN®
MANUFACTURED IN AMERICA

51 Winthrop Road
Chester, Connecticut 06412-0684
(860) 526-9504
www.whelen.com

WHELEN ENGINEERING COMPANY, INC.

