

Epsilon™ Siren Series



SELF-CONTAINED ELECTRONIC SIRENS

Providing unrivaled dependability in a compact and durable design, Epsilon is a self-contained electronic siren that includes a noise cancelling microphone with PA override.



EP SL1



EP SL2S9



EP SL2S6

FEATURES

- Meets SAE Class A sound requirements when paired with one Whelen 100 watt speaker
- California Title XIII compliant profiles
- 100 and 200 watt models
- Hands-free operation
- Nine Scan-Lock™ siren tones
- Seven position rotary switch allows choice of standby for use with the manual button, manual tone 1, or manual tone 2
- Hands-free position allows horn ring control inputs for operation of the siren and tone 1, 2, and 3 positions
- Each tone position has an override tone when the manual button is pressed
- Includes a real time diagnostics indicator:
 - When the indicator is steady, siren is operating correctly.
 - If it single flashes, speaker is short circuited. If the indicator is off, speaker is under current
- Front of unit provides a PA volume control knob for the noise-cancelling microphone, On/Off switch, manual button, and seven position rotary switch
- Scan-Lock switch is located on the rear to assure fleet uniformity
- Includes input pigtail connector and all necessary mounting hardware for simple installation
- Pre-wired with quick disconnect plug for easy service and prompt replacement
- Short circuit protection
- Programmable outputs
- Two year warranty

EP SL2S6/EP SL2S9

- For use with one or two 100 watt sirens
- Full-function
- Includes Radio Repeat
- EP SL2S6 has six On/Off lighted toggle switches
- EP SL2S9 has a three position programmable slide switch and six On/Off lighted toggle switches
- LED On indicator for each switch

EP SL1

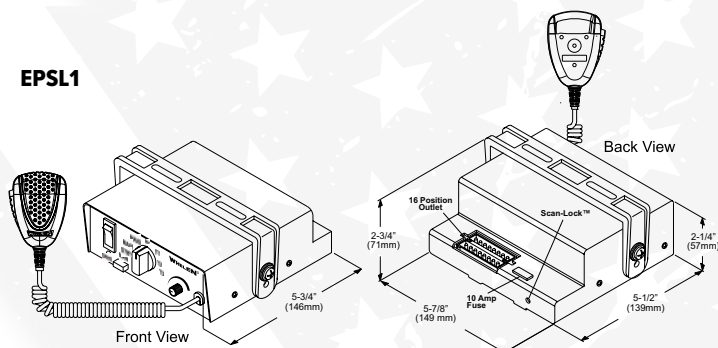
- For use with one 100 watt siren



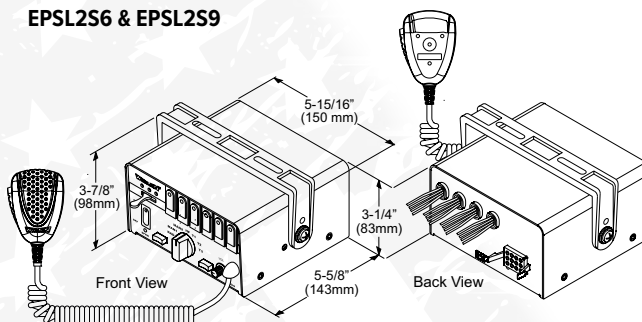


DIMENSIONS

EPSL1



EP SL2S6 & EP SL2S9



WHELEN ENGINEERING COMPANY, INC.

Models	Description
EP SL1	100 watt amplifier
EP SL2S6	200 watt amplifier with 6 On/Off toggle switches, operates up to two 100 watt speakers
EP SL2S9	200 watt amplifier with 3 position slide switch and 6 On/Off toggle switches, operates up to two 100 watt speakers

SIREN TONES

- Tone Off
- Wail
- Yelp
- Airhorn
- Hi/Low
- Piercer
- Dozer
- Y249
- Manual Wail Coast to Stop
- Manual Wail Stop

SPECIFICATIONS

EP SL1

- Input voltage: 12.8 VDC \pm 20%
- Input current: 8 Amps Max.
- Input fuse: 10 Amps

EP SL2S6

- Input voltage: 12.8 VDC \pm 20%
- Input current: @ 5.5 OHMS 16 Amps Max.
- Input fuse: 20 Amps
- Lighting switches: 20 Amps Max.
- Weight: 2 lbs. 11 oz.

EP SL2S9

- Includes the same specifications as EP SL2S6 as well as the following:
- Three position programmable slide switch: Controls three relays so all active positions can activate any combination of the relay outlets 10 AWG Red wire relay input connection
- Relay Outlets: 20 Amps Max / 50 Amps combined Max

WARNING: This product may contain chemicals known to the State of California to cause cancer and birth defects or other reproductive harm. For more information, visit whelen.com/regulatory.

All products proudly designed, manufactured, and assembled in the U.S.A.
• ISO 9001 Registered QMS

Whelen Engineering reserves the right to upgrade and improve products without notice.
© 2023 Whelen Engineering Company, Inc. Printed in U.S.A.
Code No. P122331 - 8/22/2023

WHELEN[®]
MANUFACTURED IN AMERICA

51 Winthrop Road
Chester, Connecticut 06412-0684
(860) 526-9504
www.whelen.com