

MANUFACTURED IN AMERICA

# FIRE & EMS

PROFESSIONAL WARNING  
AND LIGHTING

A comprehensive guide to Whelen's  
lighting and warning products



WHELEN ENGINEERING COMPANY, INC.



**WHELEN**  
MANUFACTURED IN AMERICA

To run toward danger when everyone else is running away, you must have trust in the team that runs alongside you and in the companies that provide the critical tools you use to stay safe. We're proud to have earned your trust as the leading manufacturer of the products you rely on to perform wherever and whenever you need them most. Our longstanding commitment to excellence and innovation is the foundation of our legacy, and since 1952, we've proudly designed and manufactured our products right here in America.

We're driven by our mission to protect you as you protect and serve your community.

And we're with you all the way, no matter where your rig takes you.

Clearing the way.

Illuminating the scene.

Sending you home safe night after night to the ones you love.

We never left, and we're here to stay.

**WHELEN**<sup>®</sup>  
MANUFACTURED IN AMERICA



# TABLE OF CONTENTS

Lightbars.....	6
Mini Lightbars .....	25
Lighthoods .....	28
Traffic Advisor™ .....	49
Beacons .....	53
White Illumination .....	57
Dash & Deck .....	75
Control & Sirens .....	78
Lighting Certifications.....	86
Product Index.....	86
Icon Legend .....	87
Tech Glossary .....	87



Visit us at [whelen.com](http://whelen.com)

To learn about our full line of emergency lighting and warning products.



To download WeCad™, Whelen Command®, and Pioneer™ Designer go to [whelen.com/software-downloads](http://whelen.com/software-downloads)



@WhelenENG





# FIRE AND EMS LIFETIME WARRANTY

Whelen Engineering offers a limited lifetime warranty on several premium products for Fire and EMS markets. This coverage is a testament to our longstanding commitment to providing the highest quality, American-manufactured products that are built to last. Our products are known for their durability, exceptional performance, and long-life reliability—qualities that are imperative in the field when lives are on the line. Our mission is to provide you with the most reliable and comprehensive emergency warning products on the market. And with a lifetime warranty, you have added peace of mind knowing that no matter what happens, your purchase is covered.

**Reach out to your Whelen sales representative for a list of covered products and with any questions about our Fire and EMS Lifetime Warranty.**

**WHELEN**  
MANUFACTURED IN AMERICA

# LIGHTBARS



# Freedom<sup>®</sup> IV Rota-Beam<sup>™</sup> Series



Download WeCad<sup>™</sup> for models and options



## FEATURES

- SAE Class 1 Certified
- Extruded aluminum platform for long-life dependability
- Clear outer domes with Clear dividers
- Hard-coated lenses resist environmental damage from sand, sun, salt, and road chemicals
- 16' exit cable (25' exit cable for 72" bars)
- Rotating Super-LED<sup>®</sup> Technology
- Single-color corner modules available in Red or White

Model	Length	Description
F4R2****	55"	4 Red or White Single-Color Modules
F4R0****	60"	4 Red or White Single-Color Modules
F4R7****	72"	4 Red or White Single-Color Modules

Replace \* symbol in model number with letter indicating color desired: R = Red, C = White



## OPTIONS

Consult current price list for full list of available options at [whelen.com/literature](http://whelen.com/literature)



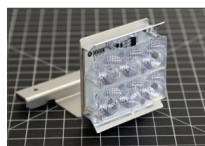
6-LED Take-Down



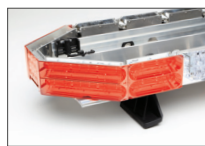
Long Lighthouse



Short Lighthouse



6-LED Alley Light

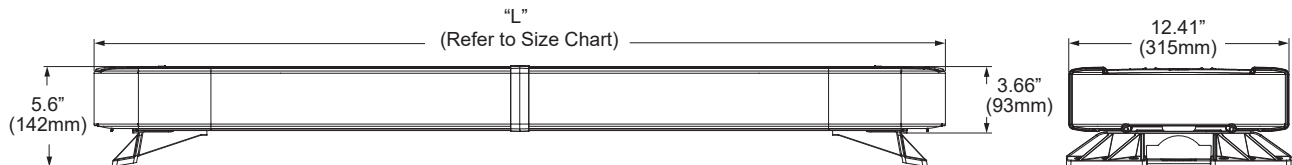


Filter



Rota-Beam Module

## DIMENSIONS



"L" Size Chart

55"	60"	72"
(140cm)	(152cm)	(183cm)

WARNING: This product may contain chemicals known to the State of California to cause cancer and birth defects or other reproductive harm. For more information, visit [whelen.com/regulatory](http://whelen.com/regulatory).

**WHELEN<sup>®</sup>**  
MANUFACTURED IN AMERICA

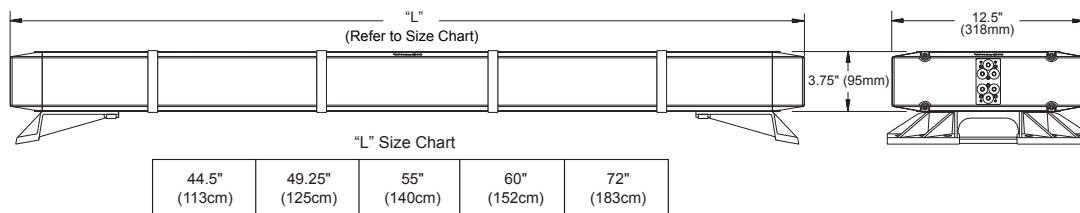
# Freedom® IV DUO™ & DYAD™ Series



## FEATURES

- WeCanX® models available
- SAE Class 1 Certified
- Extruded aluminum platform for long-life dependability
- Clear outer domes with Clear dividers
- Hard-coated lenses resist environmental damage from sand, sun, salt, and road chemicals
- 16' exit cable (25' exit cable for 72" length bars)
- Dynamic Variable Intensity™ (DVI™) light patterns
- WeCan® DYAD two-level technology (single or two-color) allows for individual control of each level of each lighthead
- WeCan DUO™ technology (two-color) allows for individual control of each color and each lighthead, while providing a large aspect ratio of warning and illumination
- Linear Super-LED® optics

## DIMENSIONS



## NFPA Freedom IV Lightbars



## FEATURES

- Designed exclusively for the rigorous standards of the Fire/EMS market
- For complete details and models, see the current NFPA 1900 Specifications Handbook
- Dynamic Variable Intensity (DVI™) light patterns for WeCanX Bars only
- Hard-coated lenses resist environmental damage from sand, sun, salt, and road chemicals
- Meets zone "A" upper requirements of NFPA 1900 specifications



44.5"	49"	55"	60"	72"	Description
F4X4****	F4X8****	F4X2****	F4X0****	F4X7****	Low Current, 4 Red, Blue, Amber and/or White, Single-Color Modules
F4W4****	F4W8****	F4W2****	F4W0****	F4W7****	WeCan®, 4 Red, Blue, Amber and/or White, Single or Two-Color Over/Under Modules
K4W4****	K4W8****	K4W2****	K4W0****	K4W7****	WeCanX®, 4 Red, Blue, Amber and/or White, Single or Two-Color Over/Under Modules
K424####	K428####	K422####	K420####	K427####	WeCanX, 4 Blue/White or Red/White DUO™ Modules
F424####	F428####	F422####	F420####	F427####	4 Blue/White or Red/White DUO Modules

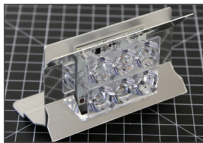
Model	Length	Description
F42DL#	24"	One DUO Long 24 Super-LED DUO Lighthouse, Red/White or Blue/White
F42DS#	12"	One DUO Short 12 Super-LED DUO Lighthouse, Red/White or Blue/White
F42WA#	12"	One DUO Short 12 Super-LED DUO Alley/Warning Light, Red/White or Blue/White



Replace \* symbol in model number with letter indicating color desired: A = Amber, B = Blue, R = Red, C = White  
 Replace # in model number with interleaved color desired: D = Red/White, E = Blue/White

## OPTIONS

Consult current price list for full list of available options at [whelen.com/literature](http://whelen.com/literature)



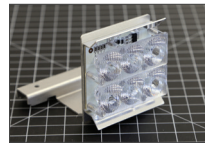
6-LED Take-Down



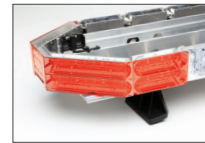
Long Lighthouse



Short Lighthouse



6-LED Alley Light



Filter



Rota-Beam™ Module

## NFPA WECANX MODELS

55" (140cm)	60" (152cm)	72" (183cm)	Description
K422VLB	K420VLB	K427VLB	4 Blue Corners and 4 Front (2 Blue/2 White)
K422VLJ	K420VLJ	K427VLJ	4 Corners (2 Red Driver Side and 2 Blue Passenger Side) and 4 Front (1 Blue/1 Red/2 White)
K422VLR	K420VLR	K427VLR	4 Red Corners and 4 Front (2 Red/2 White)
K422QLB	K420QLB	K427QLB	2 Blue Corners, 2 Blue Ends and 4 Front (2 Blue/2 White)
K422QLJ	K420QLJ	K427QLJ	2 Corners, 2 Ends (2 Red Driver Side and 2 Blue Passenger Side) and 4 Front (1 Red/1 Blue/2 White)
K422QLR	K420QLR	K427QLR	2 Red Front Corners and 4 Front (2 Red/2 white) and Two End Red, Square Ends

## NFPA MODELS

55" (140cm)	60" (152cm)	72" (183cm)	81" (205cm)	92" (243cm)	Description
F4N2VLED	F4N0VLED	F4N7VLED	F4N1VLED	F4N9VLED	Freedom® IV LC Series, Four Red Corners and Four Front (2 Red/2 White) with Angled Ends
F4N2QLED	F4N0QLED	F4N7QLED	F4N1QLED	F4N9QLED	Freedom IV LC Series, Two Red Front Corners, Two Red Side-Facing and Four Front (2 Red/2 White)

# Liberty II Series



Download WeCad™ for models and options



## FEATURES

- WeCanX® models available
- SAE Class 1 Certified
- Advanced Thermal Design improves LED performance during extended operation
- TRIO™ three-colored Linear Super-LED® models are available in six pre-configured lighting packages
- Aluminum top repels hail and other environmental damages
- Extruded aluminum platform
- Center dividers with liquid injection molded seals protect internal components from water intrusion
- One piece uni-dome construction with a single sealing point assures lightbar integrity in all weather conditions
- Proclera® Silicone Optics (available in take-down lights)
- Hard-coated lenses resist environmental damage from sand, sun, salt, and road chemicals
- Plug & Play into Whelen WeCan® products
- Clear, Smoked, or Color lenses available

44"	48"	54"	Description
<b>WeCan Models</b>			
IX4****	IX8****	IX2****	SOLO™, Single-Color, Red, Blue, Amber and/or White
IW4****	IW8****	IW2****	WeCan®, Single-Color, Red, Blue, Amber and/or White
IB4****	IB8****	IB2****	DUO+™, WeCan Single-Color, Red, Blue, Amber or White
IB4####	IB8####	IB2####	DUO+ Color, Red, Blue, Amber and/or White
<b>WeCanX® Models</b>			
BW4****	BW8****	BW2****	Single-Color, Red, Blue, Amber and/or White
-	BH8****	BH2****	Single-Color, Red, Blue, Amber and/or White, with Center Section for 795H, Strobe or Center LED Warning
BB4****	BB8****	BB2****	Single-Color, Red, Blue, Amber or White
-	BJ8****	BJ2****	Single-Color, Red, Blue, Amber or White, with Center Section for 795H, Strobe or Center LED Warning
-	BJ8####	BJ2####	DUO+™ Color, Red, Blue, Amber and/or White, with Center Section for 795H, Strobe or Center LED Warning
BB4####	BB8####	BB2####	DUO+ Color, Red, Blue, Amber and/or White
B34±±±±	B38±±±±	B32±±±±	4 TRIO™ Colors
-	BH38±±±±	BH32±±±±	4 TRIO Colors, with Center Section for 795H, Strobe or Center LED Warning

Replace \* symbol in model number with letter indicating color desired: A = Amber, B = Blue, R = Red, C = White  
 Replace # in model number with interleaved color desired: D = Red/White, E = Blue/White, F = Amber/White, J = Red/Blue, K = Red/Amber, M = Blue/Amber  
 Replace ± symbol in model number with numeral indicating TRIO Color desired: 1 = Red/Blue/White, 2 = Red/Blue/Amber, 3 = Red/White/Amber, 4 = Blue/White/Amber, 5 = Red/Blue/Green, 6 = Red/White/Green

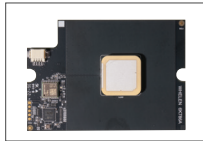


## OPTIONS

Consult current price list for full list of available options at [whelen.com/literature](http://whelen.com/literature)



Color Tops



V2V Sync Module



Filter



Short Lighthead



3-LED Proclera®  
Take-Down



Alley Light

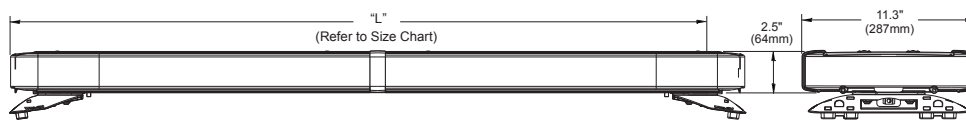


Long Lighthead



12-LED Take-Down

## DIMENSIONS



"L" Size Chart

44" (112cm)	48" (123cm)	54" (136cm)
----------------	----------------	----------------



**WARNING:** This product may contain chemicals known to the State of California to cause cancer and birth defects or other reproductive harm. For more information, visit [whelen.com/regulatory](http://whelen.com/regulatory).

**WHELEN**  
MANUFACTURED IN AMERICA

# Legacy® Series



Download WeCad™ for models and options



## FEATURES

- WeCanX® models available
- SAE Class 1 Certified
- Advanced Thermal Design improves LED performance during extended operation
- TRIO™ three-colored Linear Super-LED® models are available in six pre-configured lighting packages
- Aluminum top repels hail and other environmental damages
- Extruded aluminum platform
- Center dividers with liquid injection molded seals protect internal components from water intrusion
- One piece uni-dome construction with a single sealing point assures lightbar integrity in all weather conditions
- Proclera® Silicone Optics (available in take-down lights)
- Hard-coated lenses resist environmental damage from sand, sun, salt, and road chemicals
- Plug & Play into Whelen WeCan® products
- Clear, Smoked, or Color lenses available

44"	48"	54"	Description
GS4****	GS8****	GS2****	SOLO™ WeCan Single-Color, Red, Blue, Amber and/or White
GB4****	GB8****	GB2****	DUO+™ WeCan Single-Color, Red, Blue, Amber and/or White
GB4####	GB8####	GB2####	DUO+ WeCan Two-Color Red, Blue, Amber and/or White

Replace \* symbol in model number with letter indicating color desired: A = Amber, B = Blue, R = Red, C = White  
 Replace # in model number with interleaved color desired: D = Red/White, E = Blue/White, F = Amber/White, J = Red/Blue, K = Red/Amber, M = Blue/Amber



## OPTIONS

Consult current price list for full list of available options at [whelen.com/literature](http://whelen.com/literature)



Alley Light



3-LED Take-Down

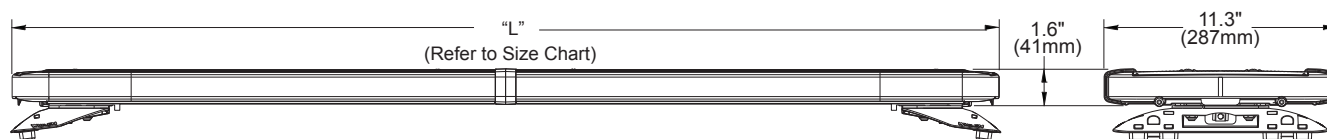


6-LED Take-Down



Color Tops

## DIMENSIONS



"L" Size Chart

44" (112cm)	48" (123cm)	54" (136cm)
----------------	----------------	----------------

**LEGACY® SERIES WECANX® MODELS**

44"	48"	54"	Description
ES4****	ES8****	ES2****	Single-Color, Red, Blue, Amber and/or White
EB4****	EB8****	EB2****	4 Single-Color, Red, Blue, Amber and/or White
EB4####	EB8####	-	4 Two-Color, Red, Blue, Amber and/or White
E34±±±±	E38±±±±	E32±±±±	4 TRIO™ Colors

Replace \* symbol in model number with letter indicating color desired: A = Amber, B = Blue, R = Red, C = White  
 Replace # in model number with interleaved color desired: D = Red/White, E = Blue/White, F = Amber/White, J = Red/Blue, K = Red/Amber, M = Blue/Amber  
 Replace ± symbol in model number with numeral indicating TRIO Color desired: 1 = Red/Blue/White, 2 = Red/Blue/Amber, 3 = Red/White/Amber, 4 = Blue/White/Amber, 5 = Red/Blue/Green, 6 = Red/White/Green



**WARNING:** This product may contain chemicals known to the State of California to cause cancer and birth defects or other reproductive harm. For more information, visit [whelen.com/regulatory](http://whelen.com/regulatory).

# Justice® Series



Download WeCad™ for models and options



## FEATURES

- SAE Class 1 Certified
- Advanced Thermal Design improves LED performance during extended operation
- Extruded aluminum platform and polycarbonate base
- Hard-coated lenses resist environmental damage from sand, sun, salt, and road chemicals
- Easily upgraded or serviced in the field
- Plug & Play into Whelen WeCan® products
- Clear, Smoked, or Color lenses available

## DIMENSIONS



“L” Size Chart

44" (112cm)	50" (127cm)	56" (143cm)	62" (157cm)
----------------	----------------	----------------	----------------

## NFPA Justice Lightbars



## FEATURES

- Designed exclusively for the rigorous standards of the Fire/EMS market
- For complete details and models, see the current NFPA 1900 Specifications Handbook
- Hard-coated lenses resist environmental damage from sand, sun, salt, and road chemicals
- Meets zone “A” upper requirements of NFPA 1900 specifications

44"	50"	56"	62"	Description
<b>Justice® JC Competitor™ Series Super-LED®</b>				
JC4****	JC8****	JC2****	-	Extended 9 Diode Linear-LED® Corners
JE4****	JE8****	JE2****	JE0****	Standard 6 Diode Linear-LED Corners
<b>Justice Super-LED WeCan® Series</b>				
JV4****	JV8****	JV2****	-	4 Red, Blue, Amber and/or White
<b>Justice DUO™ RX WeCanX® Series</b>				
RX4####	RX8####	RX2####	-	DUO Color, Amber/White, Blue/Amber, Blue/White, Red/Amber, Red/Blue and Red/White

Replace \* symbol in model number with letter indicating color desired: A = Amber, B = Blue, R = Red, C = White  
 Replace # in model number with interleaved color desired: D = Red/White, E = Blue/White, F = Amber/White, J = Red/Blue, K = Red/Amber, M = Blue/Amber

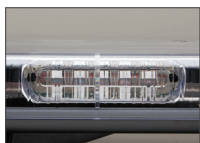


## OPTIONS

Consult current price list for full list of available options at [whelen.com/literature](http://whelen.com/literature)



CON3™ Module with Spreader Optics



Full LIN6™



Take-Down



Alley Light



Work Light

## NFPA MODELS

56"	62"	Description
JE2NFPA	JE0NFPA	Justice CS Series, Four Corner Red Linear-LED®, Six Front CON3™s, Four Corner Red Linear-LED® Modules, Six Front CON3™ (4 Red/2 White) Modules, with Angled Ends
JE2QNFPFA	JE0QNFPFA	Justice CS Series, Two Red Linear-LED Front Corners, Two Red Side-Facing and Six Front CON3s (4 Red/2 White)



# Edge® 9X Series



 Download WeCad™ for models and options



## FEATURES

- SAE Class 1 Certified
- Powered by WeCanX® technology
- Available in two profiles
  - Short Profile: 1.86" H
  - Tall Profile: 2.71" H
- DUO™ Linear12™ LED and DUO Linear6™ LED Warning & Scene Take-Down/Alley
- Hard-coated lenses resist environmental damage from sand, sun, salt, and road chemicals
- Photocell included
- Passenger side cable exit
- Advanced Thermal Design improves LED performance during extended operation
- Molded polycarbonate Black tops provide protection from the elements
- 12/24 VDC
- Standard mounting feet

31"	36"	43"	48"	54"	59"	Description
<b>EDGE 9SX Series</b>						
9SX3####	9SX6####	9SX4####	9SX8####	9SX2####	9SX0####	4 Two-Color Red, Blue, Amber and/or White
<b>EDGE 9TX Series</b>						
9TX3####	9TX6####	9TX4####	9TX8####	9TX2####	9TX0####	4 Two-Color Red, Blue, Amber and/or White

Replace # in model number with interleaved color desired: D = Red/White, E = Blue/White, F = Amber/White, J = Red/Blue, K = Red/Amber, M = Blue/Amber







## OPTIONS

Model	Description
9SXDL#	One DUO™ Color Long Super-LED® Lighthead, Red, Blue, Amber and/or White
9SXDL***	One Long Super-LED Lighthead, Split-Color Primary Warning with Full-Color Secondary Warning for Center Mount on 31", 43" and 54" Lightbars Only
9SXTW*	One DUO Color Super-LED Take-Down or Alley Light, Amber/White, Blue/White, White/White or Red/White
9SXT	Super-LED® Take-Down or Alley Lights, White, Pair
9TXDL#	One DUO Color Long Super-LED Lighthead, Red, Blue, Amber and/or White
9TXDL***	One Long Super-LED Lighthead, Split-Color Primary Warning with Full-Color Secondary Warning for Center Mount on 31", 43" and 54" Lightbars Only
9TWTW*	One DUO Color Super-LED Take-Down or Alley Light, Amber/White, Blue/White, White/White or Red/White
9TWT	Super-LED® Take-Down or Alley Lights, White, Pair
9SXDCBL	Driver Side Cable Exit
CCP	Core™ Control Point for use with WeCanX® Devices when NOT using CenCom Core®

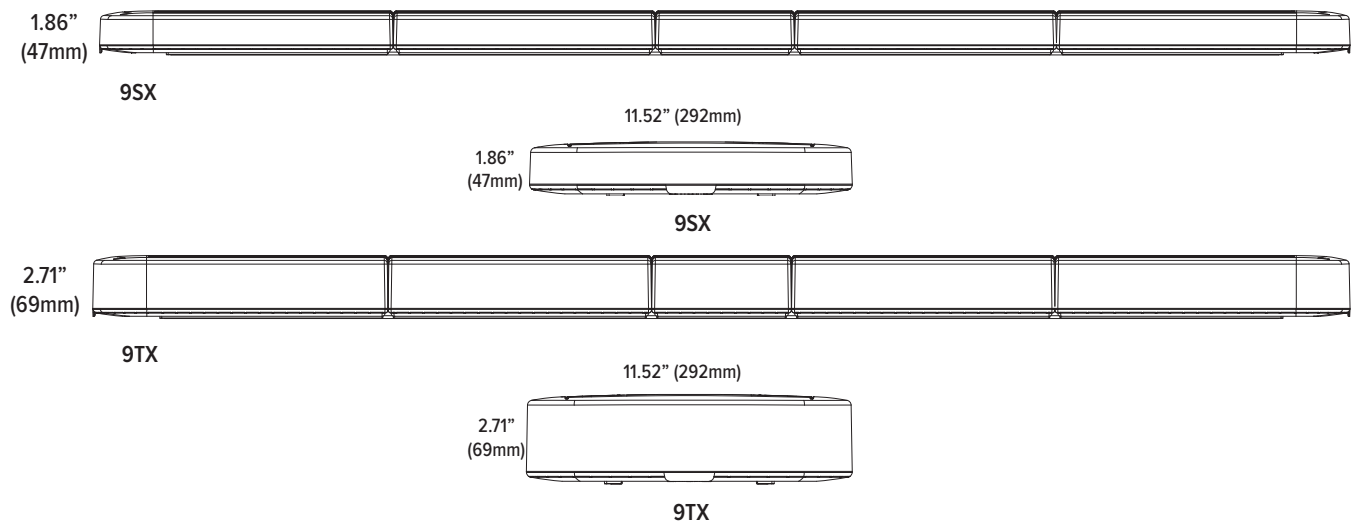
Consult current price list for full list of available options at [whelen.com/literature](http://whelen.com/literature)

Replace \* symbol in model number with letter indicating color desired: A = Amber, B = Blue, R = Red, C = White

Replace # in model number with interleaved color desired: D = Red/White, E = Blue/White, F = Amber/White, J = Red/Blue, K = Red/Amber, M = Blue/Amber



## DIMENSIONS



"L" Size Chart

31" (79cm)	36" (91cm)	43" (112cm)	48" (122cm)	54" (137cm)	59" (152cm)
---------------	---------------	----------------	----------------	----------------	----------------

WARNING: This product may contain chemicals known to the State of California to cause cancer and birth defects or other reproductive harm. For more information, visit [whelen.com/regulatory](http://whelen.com/regulatory).

**WHELEN**  
MANUFACTURED IN AMERICA

# 4500 Build-A-Bar Series



Download WeCad™ for models and options



## FEATURES

- Hard-coated lenses resist environmental damage from sand, sun, salt, and road chemicals
- Available with or without SAE compliant front and rear LED clearance lights
- Pre-configured KKK-A-1822F compliant packages available
- Color or Clear outer lens
- Anodized aluminum extrusion

Model	Length				Height x Depth
45B±±	20" (51cm)	60" (152cm)	84" (213cm)	94" (239cm)	4.88" (124mm) H x 5.25" (133mm) D
	22" (56cm)	72" (183cm)	86" (218cm)	96" (244cm)	
	38" (96cm)	76" (193cm)	88" (224cm)	98" (249cm)	
45B±±*	44" (112cm)	78" (198cm)	90" (228cm)		
	52" (132cm)	82" (208cm)	92" (233cm)		

Replace \* symbol in model number with A = Front Facing or R = Rear Facing  
 ±± = Insert length, ±±\* = Insert length, with LED ICC lights



## OPTIONS

Consult current price list for full list of available options at [whelen.com/literature](http://whelen.com/literature)



Rota-Beam™  
Rotating LED Module



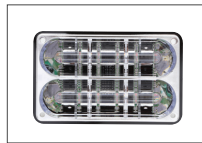
700 Series  
Linear-LED®



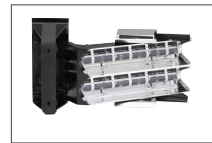
LR11 LED  
Load Light



End LED Clearance Lights



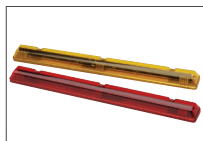
400 Series  
Linear-LED



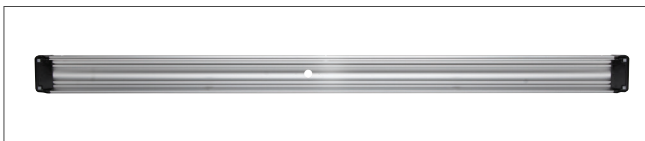
Angled Linear-LED  
Corner



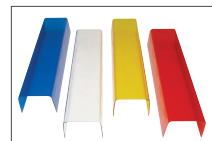
Miovision Opticom™  
Emitter 795H



Center LED  
Clearance Lights

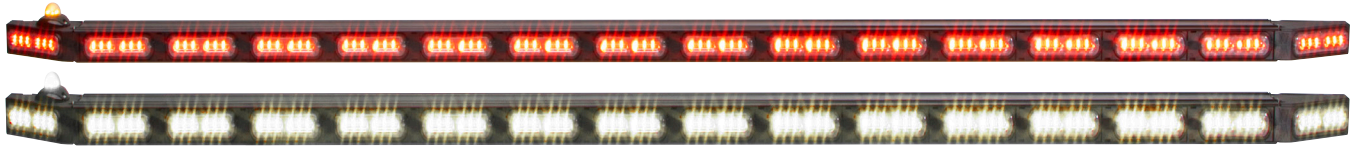


Aluminum Extrusion



Color Lenses

# WeCanX<sup>®</sup> 2250



## FEATURES

- Utilizes powerful ION™ T-Series™ Lighthoods with patented E Block™ technology
- IP67 rated
- 3" slimmer than 4500 series
- Flush mount (slide bolt)
- 10-30 VDC
- Powered by WeCanX technology
- Hard-coated lenses resist environmental damage from sand, sun, salt, and road chemicals

- Dynamic Variable Intensity™ (DVI™) light patterns
- Functionality configurable in Whelen Command®
- Lighthood configurations easily defined within Whelen's WeCad Software
- DUO™ support in warning light options
- Aerial recognition option
- Choose between two angled end caps or two flat end caps

Model	Length	Description
<b>WeCanX 2250 Super-LED<sup>®</sup> with Angled End Caps, Ordered Separately</b>		
WX2230	30"	6 Lighthoods and 2 Angled End Caps Required
WX2240	40"	8 Lighthoods and 2 Angled End Caps Required
WX2250	50"	10 Lighthoods and 2 Angled End Caps Required
WX2260	60"	12 Lighthoods and 2 Angled End Caps Required
WX2270	70"	14 Lighthoods and 2 Angled End Caps Required
WX2280	80"	16 Lighthoods and 2 Angled End Caps Required
<b>WeCanX 2250 Super-LED with Flat End Caps, Ordered Separately</b>		
WX2220F	22"	4 Total Lighthoods and 2 Flat End Caps Required
WX2230F	32"	6 Total Lighthoods and 2 Flat End Caps Required
WX2240F	42"	8 Total Lighthoods and 2 Flat End Caps Required
WX2250F	52"	10 Total Lighthoods and 2 Flat End Caps Required
WX2260F	62"	12 Total Lighthoods and 2 Flat End Caps Required
WX2270F	72"	14 Total Lighthoods and 2 Flat End Caps Required
WX2280F	82"	16 Total Lighthoods and 2 Flat End Caps Required

Options	Description
22L#	Add One DUO Color Lighthood, Red/White, Blue/White, Amber/White, Red/Blue, Blue/Amber or Red/Amber
22AEC	One Angled End Cap, No Charge When Purchased with a 2250 Series
CCP	Core™ Control Point for use with WeCanX Device when NOT using CenCom Core®
22RECA	One Angled Right End Cap for Use with One Aerial Recognition Light, for Bars 30" to 50"
22LECA	One Angled Left End Cap for Use with One Aerial Recognition Light, for Bars 30" to 50"
22RECA2	One Angled Right End Cap for use with One Aerial Recognition Light, for Bars 60" to 80"
22LECA2	One Angled Left End Cap for Use with One Aerial Recognition Light, for Bars 60" to 80"
22ARL*	Add One Aerial Recognition Light, Amber, Blue, White or Red (22LECA(2))
22LOAD	Add One Load Light
22BLANK	Blank Filler Panel, Not Available for Angled End Caps
22EC	One Flat End Cap for Left or Right Side

Consult current price list for full list of available options at [whelen.com/literature](http://whelen.com/literature).

Replace \* symbol in model number with letter indicating color desired:

A = Amber, B = Blue, R = Red, C = White

Replace # in model number with interleaved color desired: D = Red/White,

E = Blue/White, F = Amber/White, J = Red/Blue, K = Red/Amber, M = Blue/Amber



Flat End Caps

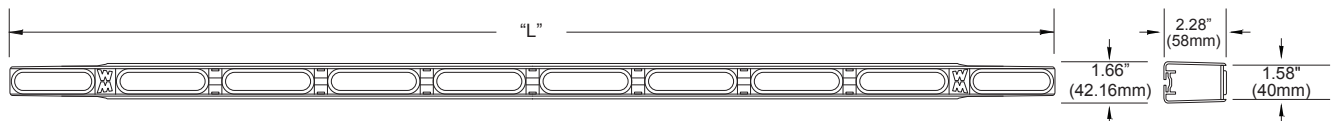


Angled End Caps



Aerial Recognition Light

## DIMENSIONS



"L" Size Chart


22"	30"	40"	50"	60"	70"	80"
(56cm)	(76cm)	(101cm)	(127cm)	(152.4cm)	(178cm)	(203cm)

**WARNING:** This product may contain chemicals known to the State of California to cause cancer and birth defects or other reproductive harm. For more information, visit [whelen.com/regulatory](http://whelen.com/regulatory).

**WHELEN<sup>®</sup>**  
MANUFACTURED IN AMERICA

# Inner Edge® RST™ Series

10YR 5YR 2YR 10-30 LC SAE CLASS 1 NFPA 1900 CONTRIBUTOR SCAN LOCK WeCan X ISOLO DUO TRIO PROCLERA

 Download WeCad™ for models and options



## FEATURES

- WeCanX® models available
- SAE Class 1 Certified
- Mounts to the rear headliner of SUVs and pickup trucks
- Drop-in lighthead tray is universal, allowing for easy serviceability

- Lighthead tray can be repurposed to a different vehicle by obtaining an alternate housing and mounting kit
- Low current models are available with SOLO™ light modules
- Plug & Play into Whelen WeCan® products

Model	Tray Description
ITRAYL8	8-Lamp Tray for SOLO Lighthead
ITRAYL10	10-Lamp Tray for SOLO Lighthead
ITRAYL12	12-Lamp Tray for SOLO Lighthead
ITRAYW8	8-Lamp Tray for WeCan SOLO, DUO™ or TRIO™ Lighthead
ITRAYW10	10-Lamp Tray for WeCan SOLO, DUO or TRIO Lighthead
ITRAYW12	12-Lamp Tray for WeCan SOLO, DUO or TRIO Lighthead
Model	Vehicle Specific Housing Description
IS458	Chevy Tahoe, 2015-2020, Upper Rear Housing for Eight or Ten Modules
IS458	Chevy Suburban, 2015-2018, Upper Rear Housing for Eight or Ten Modules
IS448	Dodge Durango, 2016-2022, Upper Rear Housing for Eight or Ten Modules
IS488	Ford Expedition, 2018-2022, Upper Rear Housing for Eight or Ten Modules


Model	Lighthead Description
ISS*	One SOLO Lighthead, Red, Blue, Amber or White
ISD#	One DUO Lighthead, Red, Blue, Amber and/or White
ISTRBA	One TRIO™ Lighthead, Red/Blue/Amber
ISTRCA	One TRIO Lighthead, Red/White/Amber
ISTBCA	One TRIO Lighthead, Blue/White/Amber
ISTRBC	One TRIO Lighthead, Red/Blue/White
ISTBAG	One TRIO Lighthead, Amber/Blue/Green
ISTRAG	One TRIO Lighthead, Amber/Red/Green
ISTGAC	One TRIO Lighthead, Amber/Green/White
ISTRBG	One TRIO Lighthead, Red/Blue/Green
ISTBGC	One TRIO Lighthead, Blue/Green/White
ISTRGC	One TRIO Lighthead, Red/Green/White
DELWCCP	Delete WeCan Control Point

Consult current price list for full list of available options at [whelen.com/literature](http://whelen.com/literature).  
 Replace \* symbol in model number with letter indicating color desired:  
 A = Amber, B = Blue, R = Red, C = White  
 Replace # in model number with interleaved color desired: D = Red/White, E = Blue/White, F = Amber/White, J = Red/Blue, K = Red/Amber, M = Blue/Amber



# Inner Edge® FST™ Series

10YR 5YR 2YR 10-30 LC SAE CLASS 1 NFPA 1900 CONTRIBUTOR SCAN LOCK WeCan X ISOLO DUO TRIO PROCLERA

 Download WeCad™ for models and options



## FEATURES

- WeCanX® models available
- Meets SAE Class 1 specifications
- Upper front units mount to visor anchor points
- Low Current models are available in SOLO™
- Plug & Play into Whelen WeCan® products
- Proclera® Silicone Optics (available in take-down lights)
- 17' cable included

- Available with BroadBand Blue™
- Vehicle-specific housing minimizes flashback to vehicle passengers
- Models available for the Chevy Silverado, Chevy Tahoe/Suburban, Ram 1500, Ford Police Interceptor Utility, Ford F-150/F-250/F-350, Ford Expedition, and Ford Transit
- Refer to website for full list of models

# Outer Edge® Series



 Download WeCad™ for models and options



## FEATURES

- Six Lamp, Two-piece
- SAE Class 1 Certified
- Vehicle-specific vacuum-formed pillar housings offer easy serviceability
- Plug & Play into Whelen WeCan® products
- Low Current models are available with SOLO™ lightheads and feature Traffic Advisor™ patterns
- Fully encapsulated
- Hard-coated lenses resist environmental damage from sand, sun, salt, and road chemicals
- Each housing supports three ION™ lightheads

Model	Description
OELS45	Chevy Tahoe 2015-2020, Requires Six SOLO OEION* Lightheads
OELS54	Chevy Tahoe 2021-2022, Requires Six SOLO OEION* Lightheads
OEWS45	Chevy Tahoe 2015-2020, Requires Six SOLO OEION* Lightheads
OEWD45	Chevy Tahoe 2015-2020, Requires Six DUO™ OEI2# Lightheads
OEWT45	Chevy Tahoe 2015-2020, Requires Six TRIO™ OEI3#* Lightheads
OEWS54	Chevy Tahoe 2021-2022, Requires Six SOLO OEION* Lightheads
OEWD54	Chevy Tahoe 2021-2022, Requires Six DUO OEI2# Lightheads
OEWT54	Chevy Tahoe 2021-2022, Requires Six TRIO OEI3#* Lightheads
RPLS45	Chevy Tahoe 2016-2020, Requires Six SOLO OEION* Lightheads
RPWS45	Chevy Tahoe 2016-2020, Requires Six SOLO OEION* Lightheads
RPWD45	Chevy Tahoe 2016-2020, Requires Six DUO OEI2# Lightheads
RPWT45	Chevy Tahoe 2016-2020, Requires Six TRIO OEI3#* Lightheads
RPLS44	Low Current, for Dodge Durango Pursuit 2019-2021, Requires Six SOLO OEION* Lightheads
RPWS44	Dodge Durango Pursuit 2019-2022, Requires Six SOLO OEION* Lightheads
RPWD44	Dodge Durango Pursuit 2019-2022, Requires Six DUO OEI2# Lightheads
RPWT44	Dodge Durango Pursuit 2019-2022, Requires Six TRIO OEI3#* Lightheads


Consult current price list for full list of available options at [whelen.com/literature](http://whelen.com/literature).

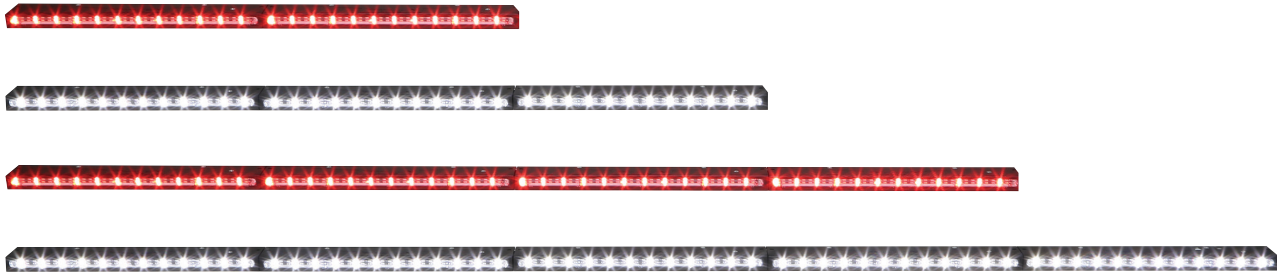
Replace \* symbol in model number with letter indicating color desired: A = Amber, B = Blue, R = Red, C = White  
 Replace # in model number with interleaved color desired: D = Red/White, E = Blue/White, F = Amber/White, J = Red/Blue, K = Red/Amber, M = Blue/Amber  
 Replace \*\* symbol in model number with letter indicating TRIO colors desired: JC = Red/Blue/White, JA = Red/Blue/Amber, KC = Red/Amber/White, MC = Blue/Amber/White



# Tracer™ WeCanX®



 Download WeCad™ for models and options



## FEATURES

- Vehicle-to-Vehicle Synchronization
- Available in SOLO™ (single-color), DUO™ (two-color interleaved), or TRIO™ (three-color interleaved) modules
- Whelen Command® programming allows:
  - DUO and TRIO modules to operate with a steady override, such as white steady-burn
  - Full configurability of Traffic Advisor™ functionality
  - Adjustable intensity levels of cruise light control
- Dynamic Variable Intensity™ (DVI™) light patterns
- Mounts easily via slide bolt with vehicle specific brackets, universal “L” brackets, or under lightbar brackets
- SAE Class 1 certified
- Hard-coated lenses resist environmental damage from sand, sun, salt, and road chemicals



Model	Description
TCRWX1	1-Lamp Housing and TCRL* SOLO™ Lighthouse. “L” Bracket Mounting (2 Required) Purchased Separately
TCRWX2	2-Lamp Housing and TCRL* SOLO Lighthouses. “L” Bracket Mounting (3 Required) Purchased Separately
TCRWX3	3-Lamp Housing and TCRL* SOLO Lighthouses. “L” Bracket Mounting (4 Required) Purchased Separately
TCRWX4	4-Lamp Housing and TCRL* SOLO Lighthouses. “L” Bracket Mounting (5 Required) Purchased Separately
TCRWX5	5-Lamp Housing and TCRL* SOLO Lighthouses. “L” Bracket Mounting (6 Required) or Vehicle-Specific Mounting Purchased Separately
TCRWX6	6-Lamp Housing and TCRL* SOLO Lighthouses. “L” Bracket Mounting (7 Required) or Vehicle-Specific Mounting Purchased Separately
TCRWXP*	Primary SOLO Lighthouse Includes Lamp Driver, One Required in Position 1, for Each SOLO Tracer™ WeCanX®, Red, Blue, Amber or White. No Charge When Ordered with the Appropriate Housing
TCRWXS*	Secondary SOLO Lighthouse, Red, Blue, Amber, or White. For Use in Positions 2-6. No Charge When Ordered with the Appropriate Housing
TCRWXP#	Primary DUO™ Lighthouse Includes Lamp Driver, One Required in Position 1, for Each DUO Tracer, Blue/White, Blue/Amber, Red/Blue, Red/White, Red/Amber or Amber/White
TCRWXS#	Secondary DUO Lighthouse, Blue/White, Blue/Amber, Red/Blue, Red/White, Red/Amber or Amber/White. For Use in Positions 2-6
TCRWXP**	Primary TRIO™ Lighthouse Includes Lamp Driver, One Required in Position 1, for Each TRIO Tracer, Red/Blue/White, Red/Blue/Amber, Green/Amber/White, Red/Amber/Green, Blue/Green/White, Red/Green/White, Blue/Amber/Green
TCRWXS**	Secondary TRIO Lighthouse, Red/Blue/White, Red/Blue/Amber, Green/Amber/White, Red/Amber/Green, Blue/Green/White, Red/Green/White, Blue/Amber/Green. For Use in Positions 2-6

Consult current price list for full list of available options at [whelen.com/literature](http://whelen.com/literature).

Replace \* symbol in model number with letter indicating color desired: A = Amber, B = Blue, R = Red, C = White

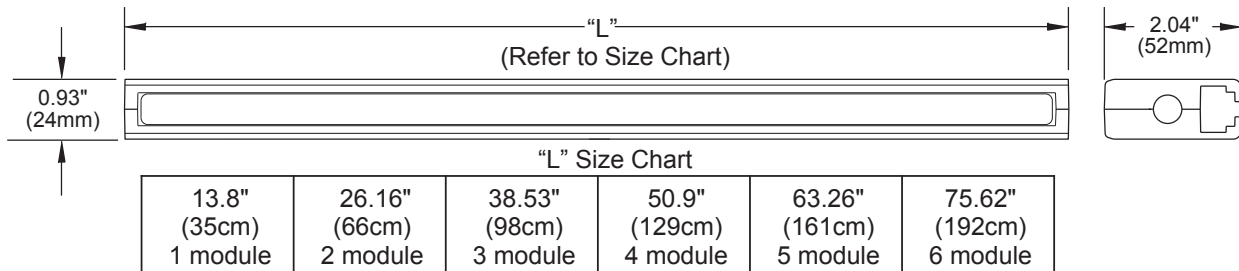
Replace # in model number with interleaved color desired: D = Red/White, E = Blue/White, F = Amber/White, J = Red/Blue, K = Red/Amber, M = Blue/Amber

Replace \*\* symbol in model number with letter indicating TRIO colors desired:

JC = Red/Blue/White, JA = Red/Blue/Amber, PC = Green/Amber/White, KG = Red/Amber/Green, NC = Blue/Green/White, LC = Red/Green/White, MG = Blue/Amber/Green



## DIMENSIONS



# Dominator™ & Dominator Plus™ Series



## FEATURES

- SAE Class 1 Certified
- Low-profile surface mount housing designed for interior or exterior use
- Choice of TIR3™ or LINZ6™ Super-LED® modules
- Fully encapsulated for moisture, vibration, and corrosion resistance
- Internal self-contained electronics
- Hard-coated lenses resist environmental damage from sand, sun, salt, and road chemicals
- Slide bolt mount
- Extruded aluminum Black powder-coated housing

## DOMINATOR MODELS

Model	Description
D2	2-Lamp, Requires 2 D*
D4	4-Lamp, Requires 4 D*
D6	6-Lamp, Requires 6 D*
D8	8-Lamp, Requires 8 D*
D*	TIR3 Super-LED Lighthouse, Amber, Red or White

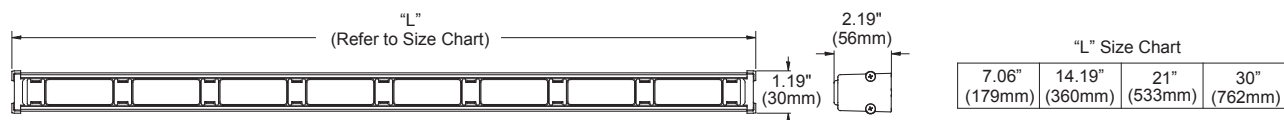
## DOMINATOR PLUS MODELS

Model	Description
DP2	2-Lamp, Requires 2 DP*
DP4	4-Lamp, Requires 4 DP*
DP6	6-Lamp, Requires 6 DP*
DP8	8-Lamp, Requires 8 DP*
DP*	LINZ6 Super-LED Lighthouse, Amber, Red or White

Replace \* symbol in model number with letter indicating color desired: A = Amber, R = Red, C = White




## DIMENSIONS





# MINI LIGHTBARS




 WARNING: This product may contain chemicals known to the State of California to cause cancer and birth defects or other reproductive harm. For more information, visit [whelen.com/regulatory](http://whelen.com/regulatory).

**WHELEN**  
MANUFACTURED IN AMERICA

25

# Mini Freedom® IV Series



 Download WeCad™ for models and options



## FEATURES

- SAE Class 1 Certified
- Single-color corner modules available in Amber, Blue, Red or White
- Hard-coated lenses resist environmental damage from sand, sun, salt, and road chemicals
- Clear outer domes with Clear dividers

- Extruded aluminum platform for long-life dependability
- Magnetic mount includes cigar plug with On/Off switch with LED “On” indicator, and Scan-Lock pattern control switch
- Permanent mount includes 15’ cable

## MINI FREEDOM IV

- Linear Super-LED®
- 67 Scan-Lock™ flash patterns
- Available in magnetic or permanent mount

## MINI FREEDOM IV ROTA-BEAM

- Rotating Super-LED technology
- 10 Scan-Lock flash patterns
- Available in permanent mount, includes 15’ cable

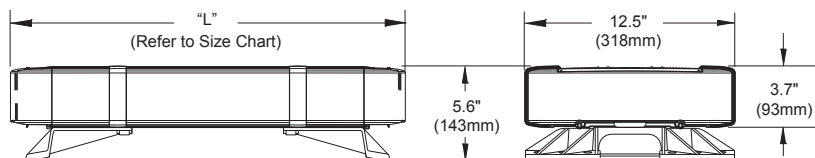
Model	Description
F4M****P	Permanent Mount, 4 Corners, Red or White
F4M****M	Magnetic Mount, 4 Corners, Red or White
F4B****P	Permanent Mount, 4 Corners and Center Section, Red or White
F4M*0*0F	Permanent Mount, 2 Front Facing Corners, Red or White
F4G*0*0F	Permanent Mount, 2 Front Facing Corners, Pre-Wired for Miovision Center Mounted Emitter, Red or White
R4B****P	Permanent Mount, 4 Rotating Super-LED Corner Modules
R4B*0*0P	Permanent Mount, 2 Front Facing Rotating Super-LED Corner Modules

DYAD Model	Description
K4M****P	WeCanX®, Perm Mount, 4 Corners DYAD Amber, Blue, Red, or White
K4B****P	WeCanX, Perm Mount, 4 Corners and center section, DYAD Amber, Blue, Red, or White
DUO™ Model	Description
K2M####	WeCanX, Perm Mount, 4 Corners DUO Amber, Blue, Red, or White
K42B####	WeCanX, Perm Mount, 4 Corners and Center Section DUO™ Amber, Blue, Red, or White
NFPA Model	Description
F4NMINI	2 Mini Freedom IV, Each Lightbar Consists of 2 Red Front Corners, 2 Front Center White and 1 Red End, Sold in Pairs

Replace \* symbol in model number with letter indicating color desired: A = Amber, B = Blue, R = Red, C = White

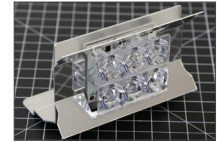


## DIMENSIONS

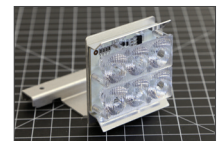


"L" Size Chart	
21" (53cm)	23.3" (59cm)

## OPTIONS



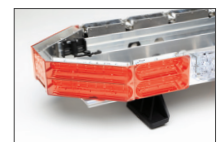
6-LED Take-Down



6-LED Alley Light



Long Lighthead



Filter

# Micro Freedom® Series



## FEATURES

- Heavy-duty extruded aluminum frame for tailboard mounting
- Available with Color LEDs and Clear lenses
- 240° light output with built-in flasher
- Available as stud mount

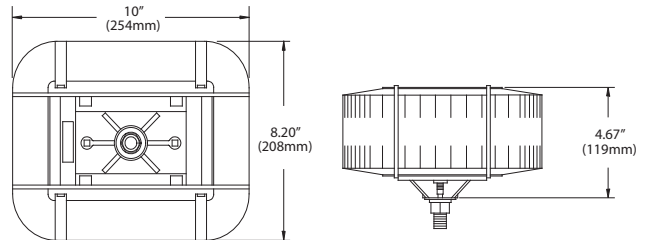
- Hard-coated lenses resist environmental damage from sand, sun, salt, and road chemicals
- Dynamic Variable Intensity™ (DVI™) light patterns
- KKK-A-1822F Contributor when apparatus is appropriately configured as listed in the applicable standard

Model	Description
MCFLED2**	Micro Freedom, Blue, Red and/or Amber

Replace \* symbol in model number with letter indicating color desired:  
 A = Amber, B = Blue, R = Red  
 To order Clear lenses add corresponding number to the end of model number  
 1 = A, 2 = B, 4 = G, 5 = R



## DIMENSIONS



# Mini Edge® 9X Series



Download WeCad™ for models and options



## FEATURES

- Powered by WeCanX® technology
- DUO™ Linear12™ LED and DUO Linear6™ LED Warning & Scene Take-Down/Alley
- Hard-coated lenses resist environmental damage from sand, sun, salt, and road chemicals
- Photocell included

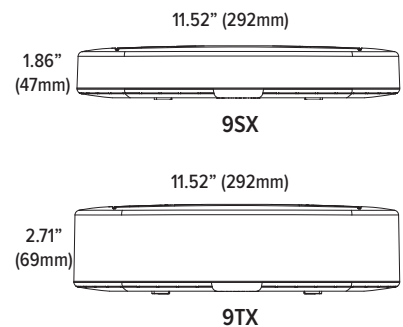
- Passenger side cable exit
- Advanced Thermal Design improves LED performance during extended operation
- Molded polycarbonate Black top repels hail and protects against other environmental damages
- Standard mounting feet

Model	Description
9SX5####	EDGE 9SX Series, 4 Two-Color Red, Blue, Amber and/or White
9TX5####	EDGE 9TX Series, 4 Two-Color Red, Blue, Amber and/or White

Replace # in model number with interleaved color desired: D = Red/White, E = Blue/White, F = Amber/White, J = Red/Blue, K = Red/Amber, M = Blue/Amber



## DIMENSIONS



# LIGHTHEADS



# M9 Series



## FEATURES

- SAE Class 1 Certified
- Available in combination warning/scene light
- M9 V-Series™ models feature 2-in-1 combination warning and scene lighting
- Clear or Color lenses available
- Available in steady-burn or with an internal flasher
- Hard-coated lenses resist environmental damage from sand, sun, salt, and road chemicals
- Mounts to surface via two screws for easy installation
- A variety of mounting brackets and optional Chrome or Black flanges are available
- Dynamic Variable Intensity™ (DVI™) light patterns
- E Block™ technology prevents air and moisture from entering lighthouse
- E Block technology in DUO & Signaling variants only
- KKK-A-1822F Contributor when apparatus is appropriately configured as listed in the applicable standard

Model	Description
M9*	Internal Flasher, Color Lens, Amber, Red, Blue or White
M9*C	Internal Flasher, Clear Lens, Amber, Red or Blue
M9#	Split-Color, Internal Flasher, Clear Lens, Red/Amber, Red/Blue or Red/White
M9D#	DUO™, Internal Flasher, Clear Lens, Red/White, Blue/White, Amber/White, Red/Blue or Blue/Amber Only
M9*S	Steady-Burn, Color Lens, Amber, Red, Blue, or White
M9*CS	Steady-Burn, Clear Lens, Amber, Red or Blue
M9*CZ	Combination Warning/Scene Light, Internal Flasher, Clear Lens, Amber, Red or Blue
M9JCZ	DUO, Combination Warning/Scene Light, Internal Flasher, Clear Lens, Red/Blue
M9V2*	V-Series, Combination 180° Warning/Scene Light, Internal Flasher, Color Warning Lens and Clear Illumination Lens, Amber, Red or Blue
M9V2*C	V-Series, Combination 180° Warning/Scene Light, Internal Flasher, Clear Lens, Amber, Red or Blue

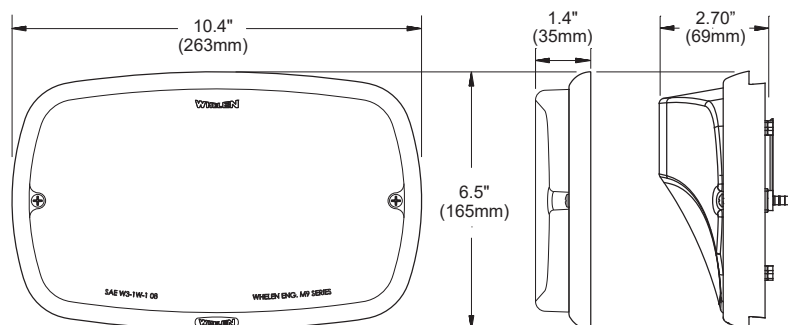
Consult current price list for full list of available options at [whelen.com/literature](http://whelen.com/literature)

Replace \* symbol in model number with letter indicating color desired: A = Amber, B = Blue, R = Red, C = White

Replace # in model number with interleaved color desired: D = Red/White, E = Blue/White, F = Amber/White, J = Red/Blue, K = Red/Amber, M = Blue/Amber



## DIMENSIONS



**WARNING:** This product may contain chemicals known to the State of California to cause cancer and birth defects or other reproductive harm. For more information, visit [whelen.com/regulatory](http://whelen.com/regulatory).

# M6 & M7 Series



## FEATURES

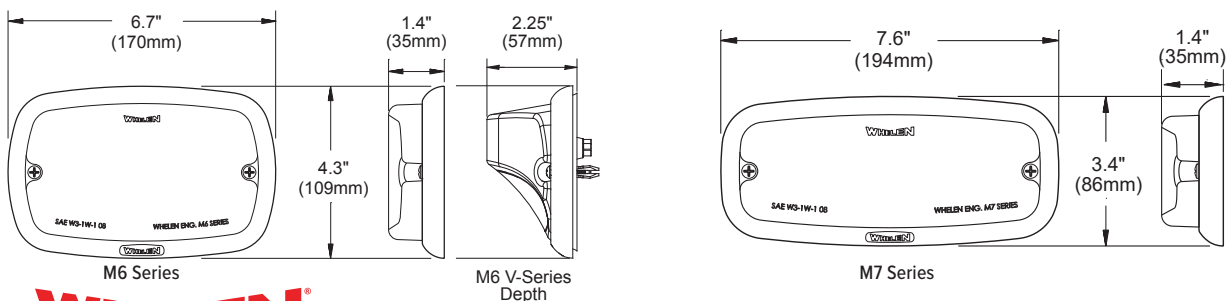
- SAE Class 1 Certified
- Single or split-color models available
- Combination warning/scene light models available
- Clear or Color lenses available
- Available in steady-burn or with an internal flasher
- M6 V-Series™ models feature 2-in-1 combination warning and perimeter lighting
- Mounts to surface via two screws for easy installation
- Dynamic Variable Intensity™ (DVI™) light patterns
- Hard-coated lenses resist environmental damage from sand, sun, salt, and road chemicals
- A variety of mounting brackets and optional Chrome or Black flanges are available
- E Block™ technology prevents air and moisture from entering lighthouse
- E Block technology in DUO & Signaling variants only
- KKK-A-1822F Contributor when apparatus is appropriately configured as listed in the applicable standard

Model	M6 Series Description
M6*	Internal Flasher, Color Lens, Amber, Red, Blue or White
M6*C	Internal Flasher, Clear Lens, Amber, Red or Blue
M6#	Split-Color, Internal Flasher, Clear Lens, Red/White, Amber/White, Red/Blue or Red/Amber
M6D#	DUO™, Internal Flasher, Clear Lens, Red/White, Blue/White, Amber/White, Red/Blue or Blue/Amber Only
M6*S	Steady-Burn, Color Lens, Amber, Red, Blue or White
M6*CS	Steady-Burn, Clear Lens, Amber, Red or Blue
M6V2*	V-Series, Combination 180° Warning/Scene Light, Internal Flasher, Color Warning Lens and Clear Illumination Lens, Amber, Red or Blue
M6V2*C	V-Series, Combination 180° Warning/Scene Light, Internal Flasher, Clear Lens, Amber, Red or Blue
Model	M7 Series Description
M7*	Internal Flasher, Color Lens, Amber, Red, Blue or White
M7*C	Internal Flasher, Clear Lens, Amber, Red or Blue
M7#	Split-Color, Internal Flasher, Clear Lens, Red/White, Amber/White, Red/Blue or Red/Amber
M7D#	DUO, Internal Flasher, Clear Lens, Red/White, Blue/White, Amber/White, Red/Blue or Blue/Amber Only
M7*S	Steady-Burn, Color Lens, Amber, Red, Blue or White
M7*CS	Steady-Burn, Clear Lens, Amber, Red or Blue

Consult current price list for full list of available options at [whelen.com/literature](http://whelen.com/literature)  
 Replace \* symbol in model number with letter indicating color desired: A = Amber, B = Blue, R = Red, C = White  
 Replace # in model number with interleaved color desired: D = Red/White, E = Blue/White, F = Amber/White, J = Red/Blue, K = Red/Amber, M = Blue/Amber



## DIMENSIONS



# M2 & M4 Series



## FEATURES

- Combination warning/scene light models available
- Hard-coated lenses resist environmental damage from sand, sun, salt, and road chemicals
- Mounts to surface via two screws for easy installation
- Clear or Color lenses available
- Available in steady-burn or with an internal flasher
- Dynamic Variable Intensity™ (DVI™) light patterns
- E Block™ technology prevents air and moisture from entering lighthouse
- E Block technology in DUO & Signaling variants only
- M4: KKK-A-1822F Contributor when apparatus is appropriately configured as listed in the applicable standard

Model	M2 Series Description
M2*	Internal Flasher, Color Lens, Amber, Red, Blue or White
M2*C	Internal Flasher, Clear Lens, Amber, Red or Blue
ML2*	SOLO™ Linear-LED®, Internal Flasher, Color Lens, Amber, Red, Blue or White
M2#	Split-Color, Internal Flasher, Clear Lens, Red/White, Amber/White, Red/Blue or Red/Amber
ML2D#	DUO™ Linear-LED, Internal Flasher, Clear Lens, Red/White, Blue/White, Amber/White, Red/Blue or Blue/Amber Only
M2W*	Wide-Angle Warning Light, Internal Flasher, Color Lens, Amber, Red or Blue
M2W*C	Wide-Angle Warning Light, Internal Flasher, Clear Lens, Amber, Red, Blue or White
M2W#	Wide-Angle Warning Light, Split-Color, Internal Flasher, Clear Lens, Red/White, Red/Blue or Red/Amber
Model	M4 Series Description
M4*	Internal Flasher, Color Lens, Amber, Red, Blue or White
M4*C	Internal Flasher, Color Lens, Amber, Red or Blue
M4#	Split-Color, Internal Flasher, Clear Lens, Red/White, Amber/White, Red/Blue or Red/Amber Only
M4D#	DUO, Internal Flasher, Clear Lens, Red/White, Blue/White, Amber/White, Red/Blue or Blue/Amber Only
M4*S	Steady-Burn, Color Lens, Amber, Red, Blue or White
M4*CS	Steady-Burn, Color Lens, Amber, Red or Blue
M4DW*	Combination Driving/Warning Light, Internal Flasher, Clear Lens, Red or Blue
M4DWJ	Combination Driving/Warning Light, Internal Flasher, Clear Lens, Red Over Blue
M4V2*	V-Series™, Combination 180° Warning/Scene Light, Internal Flasher, Color Lens, Amber, Red or Blue Warning

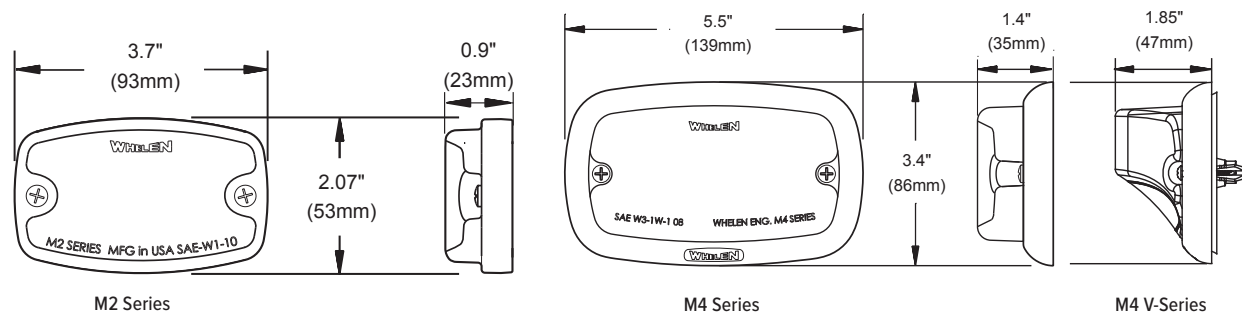
Consult current price list for full list of available options at [whelen.com/literature](http://whelen.com/literature)

Replace \* symbol in model number with letter indicating color desired: A = Amber, B = Blue, R = Red, C = White

Replace # in model number with interleaved color desired: D = Red/White, E = Blue/White, F = Amber/White, J = Red/Blue, K = Red/Amber, M = Blue/Amber



## DIMENSIONS



**WARNING:** This product may contain chemicals known to the State of California to cause cancer and birth defects or other reproductive harm. For more information, visit [whelen.com/regulatory](http://whelen.com/regulatory).

**WHELEN**  
 MANUFACTURED IN AMERICA

# 400 Series Plus



## FEATURES

- SAE Class 1 and CA Title 13 (Amber) apply to horizontal and vertical lights
- Linear-LED® design produces highly intense light that has superior wide-angle visibility
- Single-color LED SOLO™ or two-color interleaved DUO™ technology
- DUO models include White override option when Color 2 is White
- Connect and flash multiple Whelen devices together or in alternating patterns with Sync

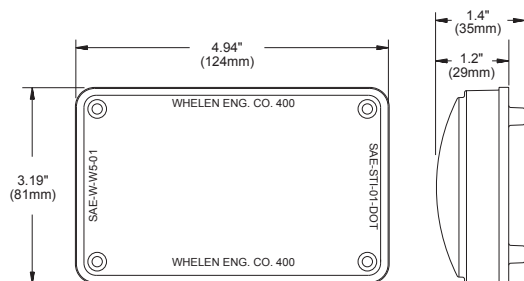
Model	Description
404*0S*R	SOLO Steady, Clear or Color Lens
404#0SCR	DUO Steady, Clear Lens
404*0Z*R	SOLO SmartLED, Clear or Color Lens
404#0ZCR	DUO SmartLED, Clear Lens

\*Replace symbol in model number with letter indicating desired color:  
 A = Amber, B = Blue, C = White, G = Green, R = Red  
 # Replace symbol in model number with letter indicating desired DUO colors:  
 D = Red/White, E = Blue/White, F = Amber/White, J = Red/Blue, K = Red/Amber,  
 M = Amber/Blue, P = Amber/Green



- Built-in flasher included with SmartLED® models
- IP67 rated
- Patented E Block™ technology prevents air and moisture from entering lighthouse
- Conformal coated electronics for moisture and vibration resistance
- Same mounting footprint and accessories as the original 400 Series

## DIMENSIONS



# 400 Series



## FEATURES

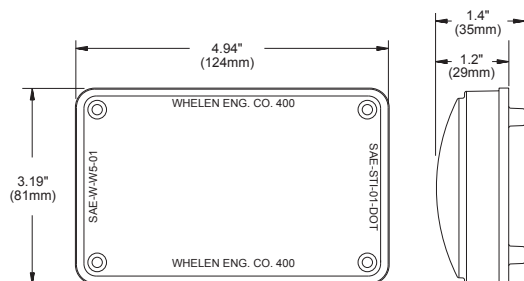
- Linear Super-LED® available in single or dual level warning
- Hard-coated lenses resist environmental damage from sand, sun, salt, and road chemicals
- Clear or Color lenses available

Model	Description
40**5SCR	Dual Level Linear Super-LED, Amber, Red, Blue or White
40*0Z2*R	Single Level Linear Super-LED, Amber, Red, Blue or White
4V3*	V-Series™, Combination 180° Warning, Alley and Puddle Light, Amber, Red, Blue or White Warning

Consult current price list for full list of available options at [whelen.com/literature](http://whelen.com/literature)  
 Replace \* symbol in model number with letter indicating color desired: A = Amber, B = Blue, R = Red, C = White



## DIMENSIONS



400 Series Single and Dual Level



# 600 Series



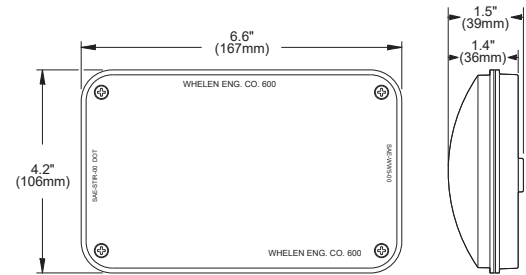
## FEATURES

- Linear Super-LED® or Rota-Beam™ models available
- Surface mount and recess mount models
- Clear or Color lenses available
- Available in steady-burn or with an internal flasher
- See page 69 for scene light options



Model	Description
6RB*	Rota-Beam Oscillating Super-LED, Amber, Blue, Red or White, Color Lens
6RB*C	Rota-Beam Oscillating Super-LED, Amber, Blue, Red or White, Clear Lens
60*02S*R	Linear Super-LED, Amber, Blue, Red or White
60*02F*R	Linear Super-LED, Internal Flasher, Amber, Blue, Red or White
60RA6FCR	Linear Split-Color Super-LED, Red/Amber, Internal Flasher
60BR6FCR	Linear Split-Color Super-LED, Red/Blue, Internal Flasher
60RC6FCR	Linear Split-Color Super-LED, Red/White, Internal Flasher

## DIMENSIONS



600 Series Linear Super-LED

Consult current price list for full list of available options at [whelen.com/literature](http://whelen.com/literature)

Replace \* symbol in model number with letter indicating color desired: A = Amber, B = Blue, R = Red, C = White



# 500 Series

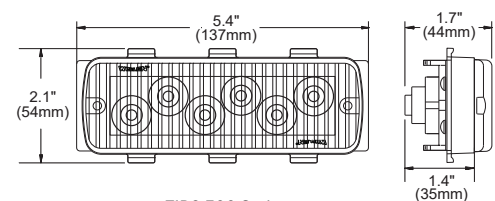


## FEATURES

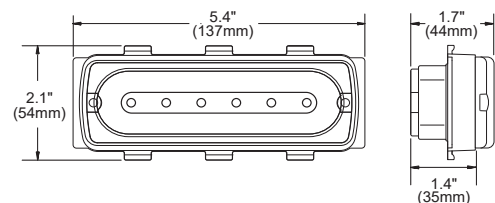
- Available with Linear Super-LED or TIR6™ optics
- Fully encapsulated
- Clear or Color lenses available
- Hard-coated lenses resist environmental damage from sand, sun, salt, and road chemicals
- Lighthoods require mounting flange



## DIMENSIONS



TIR6 500 Series



Linear 500 Series

Model	Description
50*02Z*R	Linear Super-LED, Horizontal Mount, Warning, Amber, Blue, Red or White
50**2ZCR	Linear Super-LED, Horizontal Mount, Warning, Split-Color Red/Blue, Red/White or Blue/White
5V*02Z*R	Linear Super-LED, Vertical Mount, Warning, Red or White
50*03Z*R	TIR6, Super-LED Warning, Red or White
50**3ZCR	TIR6, Super-LED, Warning, Split-Color Red/Blue, Red/White or Blue/White
5V1*	V-Series™ and TIR™ Super-LED Warning, Red, White or Green
5V3*	V-Series Super-LED Warning, Alley/Flood and Puddle Light, Red or White with White Illumination

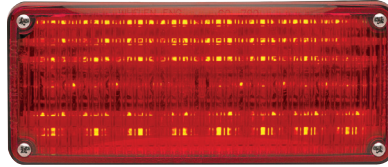
Consult current price list for full list of available options at [whelen.com/literature](http://whelen.com/literature)

Replace \* symbol in model number with letter indicating color desired: A = Amber, B = Blue, R = Red, C = White, G = Green



**WARNING:** This product may contain chemicals known to the State of California to cause cancer and birth defects or other reproductive harm. For more information, visit [whelen.com/regulatory](http://whelen.com/regulatory).

# 700 Series



## FEATURES

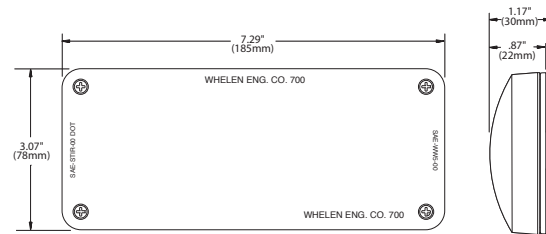
- Single or split-color models available
- Mounts to surface via four screws
- 6” pigtail included
- Clear or Color lenses available
- Hard-coated lenses resist environmental damage from sand, sun, salt, and road chemicals
- See page 69 for scene light options

Model	Description
70*02S*R	Super-LED®, Amber, Blue, Red or White, Requires LED Flasher Purchased Separately
70*02F*R	Super-LED, Includes Internal Flasher, Amber, Blue, Red or White
70RA6FCR	Split-Color Red/Amber, Side By Side, Clear Outer Lens
70RC6FCR	Split-Color Red/White, Side By Side, Clear Outer Lens

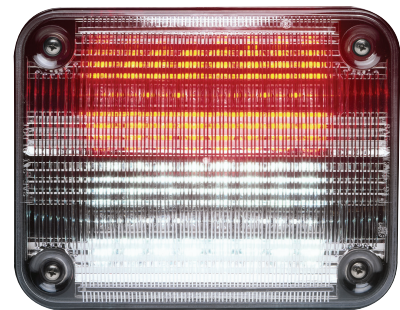
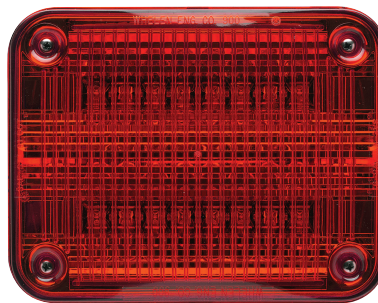
Replace \* symbol in model number with letter indicating color desired:  
 A = Amber, B = Blue, R = Red, C = White



## DIMENSIONS



# 900 Series



## FEATURES

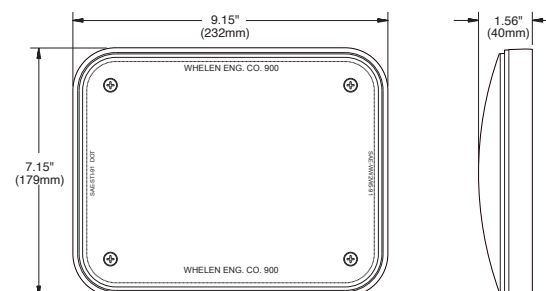
- Single or split-color models available
- Mounts to surface via four screws
- 6” pigtail included
- Clear or Color lenses available
- See page 69 for scene light options

Model	Description
90**5S*R	Super-LED, Amber, Blue, Red or White, Requires LED Flasher Purchased Separately
90**5F*R	Super-LED, Includes Internal Flasher, Amber, Blue, Red or White
90RA5FCR	Split-Color Red/Amber, Over/Under with Clear Outer Lens
90RC5FCR	Split-Color Red/White, Over/Under with Clear Outer Lens

Replace \* symbol in model number with letter indicating color desired:  
 A = Amber, B = Blue R = Red, C = White



## DIMENSIONS



# T-Series™



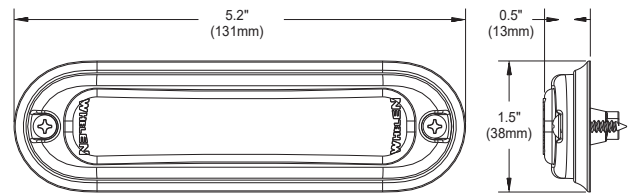
## FEATURES

- SAE Class 1 Certified
- Linear Super-LED® optics
- SOLO™, DUO™ and TRIO™ models available
- Hard-coated lenses resist environmental damage from sand, sun, salt, and road chemicals
- SOLO models available in single or split-colors

- Smoked lenses available
- Easily mounts to the surface via two screws
- Includes Black flange
- E Block™ technology prevents air and moisture from entering lighthead

Model	Description
TLI*	SOLO, Amber, Blue, Red or White
TLI#	SOLO, Split-Color, Red/White, Blue/White, Amber/White, Red/Blue or Amber/Blue
TLI2#	DUO, Red/White, Blue/White, Amber/White, Red/Amber, Red/Blue or Amber/Blue
TLI3#*	TRIO Red/Blue/Amber, Red/Amber/White, Blue/Amber/White, Red/Blue/White, Red/Amber/Green, Blue/Amber/Green, Green/Amber/White, Red/Green/White, or Blue/Green/White

## DIMENSIONS



Consult current price list for full list of available options at [whelen.com/literature](http://whelen.com/literature)

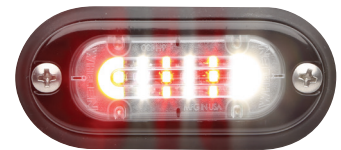
Replace \* symbol in model number with letter indicating color desired: A = Amber, B = Blue, R = Red, C = White

Replace # symbol in model number with letter indicating DUO colors desired: D = Red/White, E = Blue/White, F = Amber/White, J = Red/Blue, K = Red/Amber, M = Blue/Amber

Replace #\* symbol in model number with letter indicating TRIO colors desired: JC = Red/Blue/White, KG = Red/Amber/Green, JA = Red/Blue/Amber, KC = Red/Amber/White, MC = Blue/Amber/White, LC = Red/Green/White, MG = Blue/Amber/Green, NC = Blue/Green/White, PC = Green/Amber/White



# Mini T-Series™



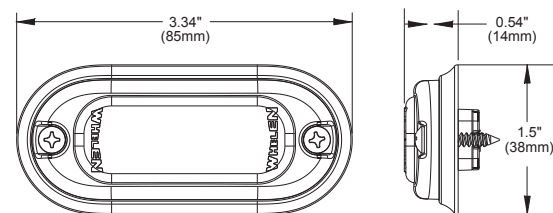
## FEATURES

- SAE Class 1 Certified
- Linear Super-LED® optics
- SOLO™ and DUO™ models available
- Hard-coated lenses resist environmental damage from sand, sun, salt, and road chemicals

- Easily mounts to the surface via two screws
- Includes Black flange
- Smoked lenses available
- E Block™ technology prevents air and moisture from entering lighthead

Model	Description
TLMI*	SOLO, Amber, Blue, Red or White
TLMI2#	DUO, Red/White, Blue/White, Amber/White, Red/Amber, Red/Blue or Amber/Blue
TLMI3#*	TRIO Red/Blue/Amber, Red/Amber/White, Blue/Amber/White, Red/Blue/White, Red/Amber/Green, Blue/Amber/Green, Green/Amber/White, Red/Green/White, or Blue/Green/White

## DIMENSIONS



Consult current price list for full list of available options at [whelen.com/literature](http://whelen.com/literature)

Replace \* symbol in model number with letter indicating color desired:

A = Amber, B = Blue, R = Red, C = White

Replace # symbol in model number with letter indicating DUO colors desired: D = Red/White, E = Blue/White, F = Amber/White, J = Red/Blue, K = Red/Amber, M = Blue/Amber

Replace #\* symbol in model number with letter indicating TRIO colors desired: KC = Red/Amber/White, KG = Red/Amber/Green, JA = Red/Blue/Amber, JC = Red/Blue/White, LC = Red/Green/White, MC = Blue/Amber/White, MG = Blue/Amber/Green, NC = Blue/Green/White, PC = Green/Amber/White



**WARNING:** This product may contain chemicals known to the State of California to cause cancer and birth defects or other reproductive harm. For more information, visit [whelen.com/regulatory](http://whelen.com/regulatory).

**WHELEN®**  
MANUFACTURED IN AMERICA

# Mega T-Series™



## FEATURES

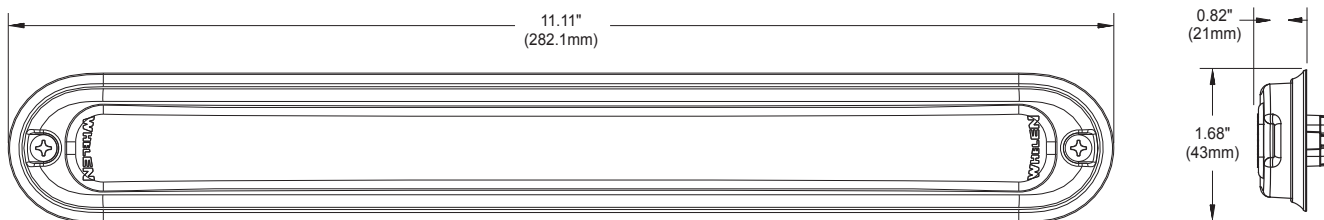
- SAE Class 1 Certified
- Linear Super-LED® optics
- TRIO™ models available
- Models have 73 Scan-Lock™ flash patterns, including steady-burn
- Hard-coated lenses resist environmental damage from sand, sun, salt, and road chemicals
- Smoked lenses available
- Easily mounts to the surface via two screws
- Includes Black flange
- E Block™ technology prevents air and moisture from entering lighthead

Model	Description
PSJA3FCR	TRIO, Red/Blue/Amber, Clear Lens
PSKC3FCR	TRIO, Red/Amber/White, Clear Lens
PSMC3FCR	TRIO, Blue/Amber/White, Clear Lens
PSJC3FCR	TRIO, Red/Blue/White, Clear Lens
PSKG3FCR	TRIO, Red/Amber/Green, Clear Lens
PSMG3FCR	TRIO, Blue/Amber/Green, Clear Lens
PSPC3FCR	TRIO, Green/Amber/White, Clear Lens
PSLC3FCR	TRIO, Red/Green/White, Clear Lens
PSNC3FCR	TRIO, Blue/Green/White, Clear Lens

Consult current price list for full list of available options at [whelen.com/literature](http://whelen.com/literature)



## DIMENSIONS



# ION™ Series



## FEATURES

- SAE Class 1 Certified
- SOLO™ models available in single or split-colors
- DUO™ and TRIO™ models feature Linear Super-LED® optics
- Hard-coated lenses resist environmental damage from sand, sun, salt, and road chemicals
- Smoked lenses available
- Surface or universal mount

Model	Description
ION*	Directional Linear Super-LED, Universal Mount, Amber, Blue, Red or White
ION#	Directional Linear Split-Color Super-LED, Universal Mount, Red/Blue, Red/White or Blue/White
WION*	Wide-Angle Linear Super-LED, Universal Mount, Amber, Blue, Red or White
WION#	Wide-Angle Linear Super-LED, Universal Mount, Red/Blue, Red/White or Blue/White
IONSM*	Directional Linear Super-LED, Surface Mount, Amber, Blue, Red or White
IONSMC*	Directional Linear Super-LED, Surface Mount, Amber, Blue, Red or White
IONSM#	Directional Linear Super-LED, Surface Mount, Red/Blue, Red/White or Blue/White
IONSMC#	Directional Linear Super-LED, Surface Mount, Red/Blue, Red/White or Blue/White
WIONSM*	Wide-Angle Linear Super-LED, Surface Mount, Amber, Blue, Red or White
WIONSMC*	Wide-Angle Linear Super-LED, Surface Mount, Amber, Blue, Red or White
WIONSM#	Wide-Angle Linear Super-LED, Surface Mount, Red/Blue, Red/White or Blue/White
WIONSMCD	Wide-Angle Linear Super-LED, Surface Mount, Red/White
I2#	Linear DUO Super-LED, Universal Mount, Amber/White, Blue/White, Red/White, Blue/Red or Blue/Amber
I2SM#	Linear DUO Super-LED, Surface Mount, Amber/White, Blue/White, Red/White, Blue/Red or Blue/Amber
I3JC	Linear TRIO Super-LED, Universal Mount, Red/Blue/White
I3SM#*	Linear TRIO Super-LED, Surface Mount, Red/Blue/Amber, Red/Blue/White, Red/Amber/White, Blue/Amber/White

Consult current price list for full list of available options at [whelen.com/literature](http://whelen.com/literature)

Replace \* symbol in model number with letter indicating color desired: A = Amber, B = Blue, R = Red, C = White

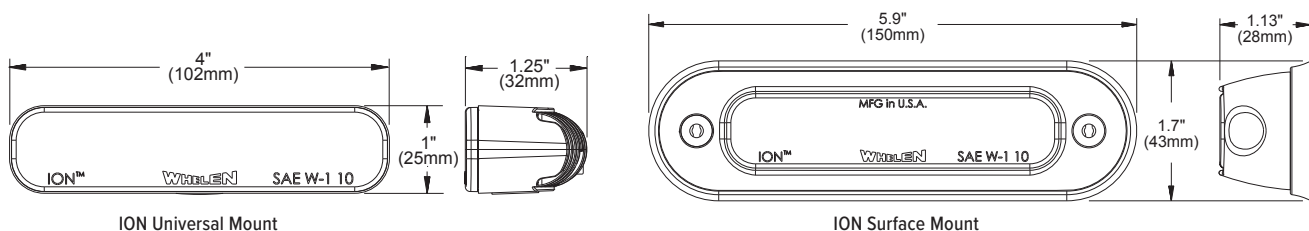
Replace # in model number with interleaved color desired: D = Red/White, E = Blue/White, F = Amber/White, J = Red/Blue, K = Red/Amber, M = Blue/Amber

Replace #\* symbol in model number with letter indicating TRIO colors desired:

JA = Red/Blue/Amber, JC = Red/Blue/White, KC = Red/Amber/White, MC = Blue/Amber/White



## DIMENSIONS



**WARNING:** This product may contain chemicals known to the State of California to cause cancer and birth defects or other reproductive harm. For more information, visit [whelen.com/regulatory](http://whelen.com/regulatory).

# ION™ V-Series™



IONSV3R



IONV3R

## FEATURES

- SAE Class 1 Certified
- Linear Super-LED® optics
- Available in 3-in-1 combination warning, spotlight, and ground illumination light or in single-color warning-only models
- Black, White or Chrome housing
- Single-color models have combination 180° and TIR™ directional warning
- Hard-coated lenses resist environmental damage from sand, sun, salt, and road chemicals
- Smoked lenses available

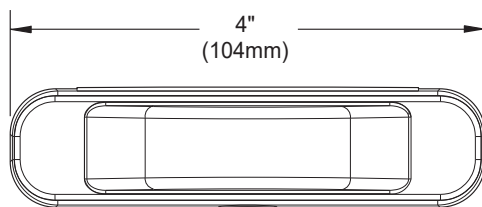
Model	Description
IONV3*	Universal Mount, Black Housing, Amber, Blue, Red or White with White Illumination
IONSV3*	Surface Mount, Black Housing, Amber, Blue, Red or White with White Illumination
IONSV3*W	Surface Mount, White Housing, Amber, Blue, Red or White with White Illumination
IONSV3*C	Chrome Housing, Surface Mount, Amber, Blue, Red or White with White Illumination
IONV1*	Linear and TIR Super-LED, Universal Mount, Black Housing, Amber, Blue, Red or White
IONSV1*	Linear and TIR Super-LED, Surface Mount, Black Housing, Amber, Blue, Red or White
IONSV1*C	Linear and TIR Super-LED, Surface Mount, Chrome Housing, Amber, Blue, Red or White

Consult current price list for full list of available options at [whelen.com/literature](http://whelen.com/literature)

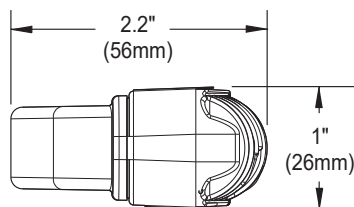
Replace \* symbol in model number with letter indicating color desired: A = Amber, B = Blue, R = Red, C = White



## DIMENSIONS



Universal Mount



# Micron™ Series



Stud Mount

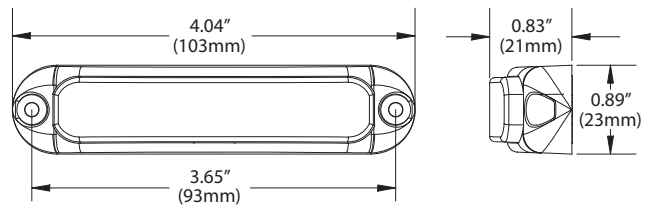


## FEATURES

- Easily mounts to surface via two screws
- Linear Super-LED® optics
- Hard-coated lenses resist environmental damage from sand, sun, salt, and road chemicals

Model	Description
MCRNS*	Surface Mount, Black Flange, Amber, Blue, Red or White
MCRNSC*	Surface Mount, Chrome Flange, Amber, Blue, Red or White
MCRNS#	Surface Mount, Linear Split-Color Super-LED, Black Flange, Amber/Red, Blue/Red or Red/ White
MCRNSC#	Surface Mount, Linear Split-Color Super-LED, Chrome Flange, Amber/Red, Blue/Red or Red/ White
MCRNT*	Stud Mount, Amber, Blue, Red or White
MCRNT#	Stud Mount, Linear Split-Color Super-LED, Amber/Red, Blue/Red or Red/White

## DIMENSIONS



Consult current price list for full list of available options at [whelen.com/literature](http://whelen.com/literature)  
 Replace \* symbol in model number with letter indicating color desired:  
 A = Amber, B = Blue, R = Red, C = White  
 Replace # in model number with interleaved color desired:  
 D = Red/White, J = Red/Blue, K = Red/Amber



# V23™ Series



## FEATURES

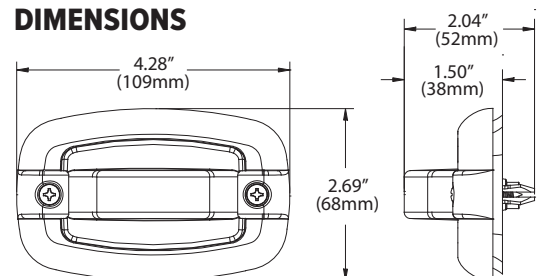
- Models have 3-in-1 180° wide-angle warning, illumination, and puddle light
- Hard-coated lenses resist environmental damage from sand, sun, salt, and road chemicals
- Easily mounts to surface via two screws for easy installation
- Smoked lenses available
- Available in steady-burn or with an internal flasher

Model	Description
V23*TPB	V-Series™ Super-LED® Red or White with White Illumination, Includes Black Flange
V23*TPC	V-Series Super-LED, Red or White with White Illumination, Includes Chrome Flange
V23P20B	20° Angled Surface Mount Housing, Black
V23P20C	20° Angled Surface Mount Housing, Chrome

Consult current price list for full list of available options at [whelen.com/literature](http://whelen.com/literature)  
 Replace \* symbol in model number with letter indicating color desired: A = Amber, B = Blue, R = Red, C = White



## DIMENSIONS



# Strip-Lite™ Plus



## FEATURES

- SAE Class 1 Certified
- SOLO™ and DUO™ models available
- SOLO models have 25 Scan-Lock™ flash patterns, including steady-burn
- DUO models have 69 Scan-Lock flash patterns, including steady-burn
- Hard-coated lenses resist environmental damage from sand, sun, salt, and road chemicals
- Easily mounts to surface via two screws with included Black flange
- Chrome flange option available
- Symmetrical center positioned wire exit
- 12" pigtail included
- Sequencing features: left, right, split, and 11 Scan-Lock flashing patterns
- E Block™ technology prevents air and moisture from entering lighthouse
- See page 70 for compartment light options



Warning light



Sequence light

Model	Description
PS*01FCR	SOLO, Red, Blue, Amber or White, Clear Lens
PS#02FCR	DUO, Amber/Blue, Amber/White, Blue/White, Red/Blue, Red/Amber or Red/White
PSSEQACR	Sequencing Light, Amber, Clear Lens
PSFC	Optional, Chrome Flange

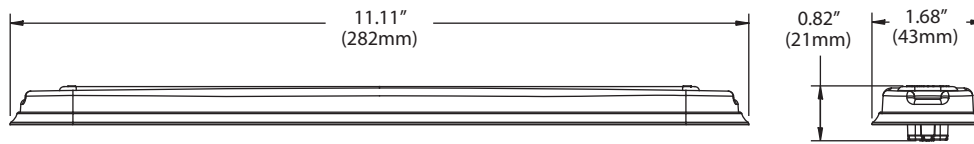
Consult current price list for full list of available options at [whelen.com/literature](http://whelen.com/literature)

Replace \* symbol in model number with letter indicating color desired: A = Amber, B = Blue, R = Red, C = White

Replace # in model number with interleaved color desired: D = Red/White, E = Blue/White, F = Amber/White, J = Red/Blue, K = Red/Amber, M = Blue/Amber



## DIMENSIONS



# Strip-Lite™ Plus XL

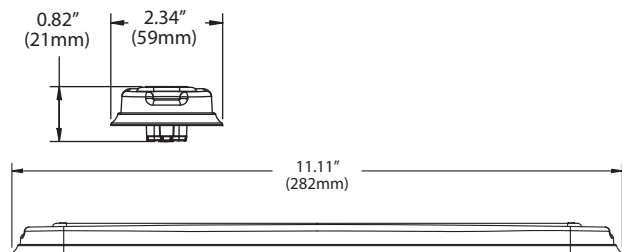


## FEATURES

- Current volume level features full intensity illumination, while the rest of lighthouse is ghosted
- Low power mode
- Hard-coated lenses resist environmental damage from sand, sun, salt, and road chemicals
- Easily mounts to surface via two screws with included Black flange
- Optional Chrome flange available
- Symmetrical center positioned wire exit
- 12" pigtail included
- E Block™ technology prevents air and moisture from entering lighthouse



## DIMENSIONS



Model	Description
PSTANK2	Fluid Level Indicator Light, Steady-Burn, Green, Blue, Amber and Red LEDs
PSXLFC	Optional, Chrome Flange

Consult current price list for full list of available options at [whelen.com/literature](http://whelen.com/literature)





# LINV2™ V-Series™



## FEATURES

- Combination 180° warning and puddle light
- Black flange included
- Hard-coated lenses resist environmental damage from sand, sun, salt, and road chemicals

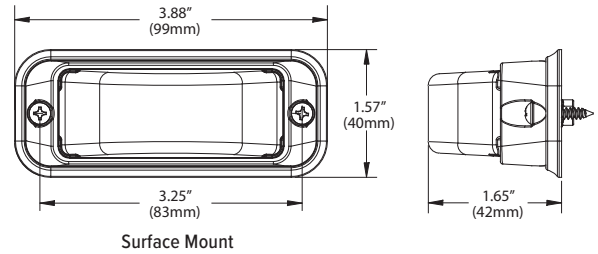


Model	Description
LINV2*	Surface Mount, Super-LED®, Red or White
LINSV2*	Under Surface Mount, Super-LED, Red or White

Consult current price list for full list of available options at [whelen.com/literature](http://whelen.com/literature)  
 Replace \* symbol in model number with letter indicating color desired: R = Red, C = White



## DIMENSIONS



# OS™ Series



## FEATURES

- Fully encapsulated
- Chrome housing included
- Clear outer lens, Color LEDs

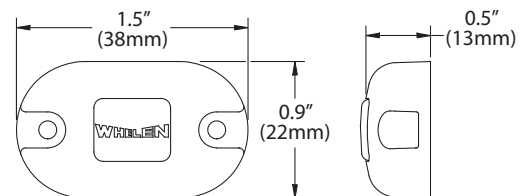


Model	Description
OS*00MCR	Amber or Red Marker/Clearance Light with Clear Lens
OS*00FCR	Amber, Blue, Red or White Single Flash and Clear Lens
OS*00SCR	Steady-Burn and Clear Lens
OSCOEDCR	White Illumination Light with Clear Lens
OACOEDCR	White Illumination Light with Clear Lens and 45° Angled Chrome-Plated Bezel

Replace \* symbol in model number with letter indicating color desired:  
 A = Amber, B = Blue, R = Red, C = White



## DIMENSIONS



# Vertex™ Series



## FEATURES

- Directional, omni-directional, and side emitter models available
- Designed to mount in composite style headlight or taillight, or surface mount to exterior surfaces with flange mount option
- Ballast is fully encapsulated for moisture, vibration, and corrosion resistance
- Hard-coated lenses resist environmental damage from sand, sun, salt, and road chemicals
- Clear outer lens, Color LEDs
- Smoked lenses available

Model	Description
VTX609*	Recess or Surface Mount, Omni-Directional Super-LED®, Amber, Blue, Red or White
VTX9#	Recess or Surface Mount, Omni-Directional Super-LED, DUO™ Amber, Blue, Red or White
VTXD609*	Recess or Surface Mount, Directional/Side Emitting Shield Super-LED, Amber, Blue, Red or White
VTX3609*	Recess Mount, 360° Side Emitter Super-LED, Amber, Blue, Red or White
Options	Description
VTXFB	Flange Kit, Surface Mount, Black
VTXFC	Flange Kit, Surface Mount, Chrome

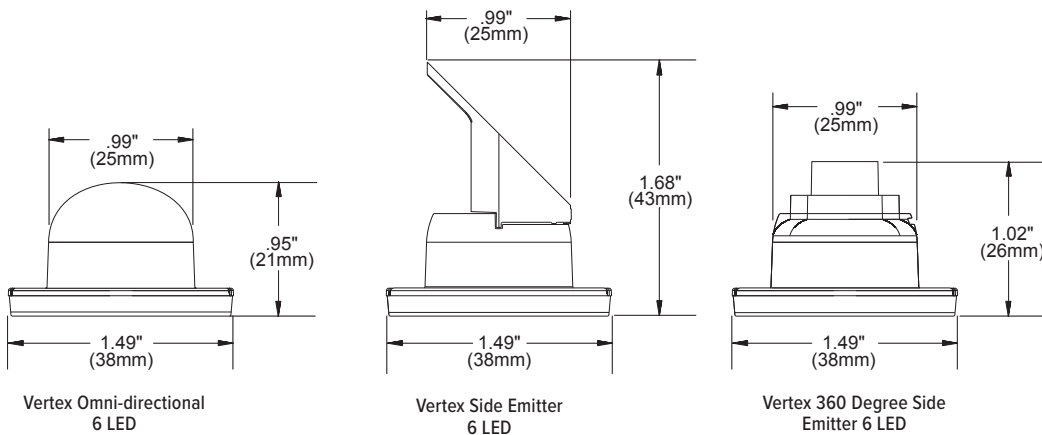
Consult current price list for full list of available options at [whelen.com/literature](http://whelen.com/literature)

Replace \* symbol in model number with letter indicating color desired: A = Amber, B = Blue, R = Red, C = White

Replace # in model number with interleaved color desired: D = Red/White, E = Blue/White, F = Amber/White, J = Red/Blue, K = Red/Amber, M = Blue/Amber



## DIMENSIONS



# 2" Round Series



## FEATURES

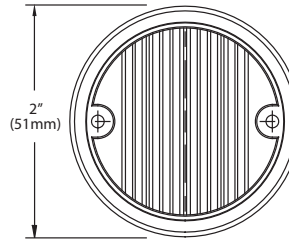
- Hard-coated lenses resist environmental damage from sand, sun, salt, and road chemicals
- Fully encapsulated for moisture, vibration and corrosion resistance
- Recessed Black flange included
- Optional Chrome flange available

Model	Description
TOA00MAR	2" Round, LED, Marker or Clearance Light, Amber
TOR00MRR	2" Round, LED, Marker or Clearance Light, Red
TFLANGEC	Flange Kit, Surface Mount, Chrome

Consult current price list for full list of available options at [whelen.com/literature](http://whelen.com/literature)



## DIMENSIONS



# 3" Round Series



## FEATURES

- Hard-coated lenses resist environmental damage from sand, sun, salt, and road chemicals
- Clear or Color lenses available

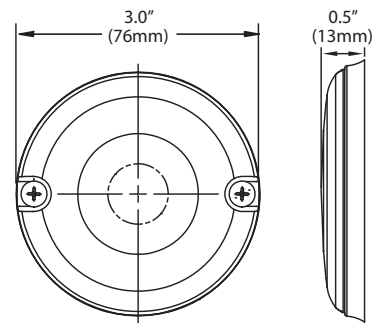
Model	Description
3S*00F*R	3" Round Surface Mount LED, Amber, Blue, Red or White

Consult current price list for full list of available options at [whelen.com/literature](http://whelen.com/literature)

Replace \* symbol in model number with letter indicating color desired:  
A = Amber, B = Blue, R = Red, C = White



## DIMENSIONS



# 4" Round Series



2FA00ZRR



2EA00ZAR

## FEATURES

- Hard-coated lenses resist environmental damage from sand, sun, salt, and road chemicals
- Supplied with adapter for PAR-36 (4.5") applications
- Fully encapsulated mounting hardware

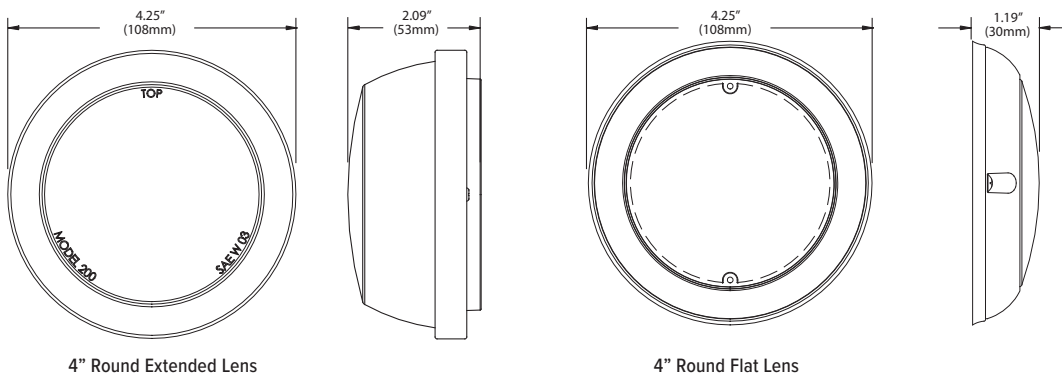
Model	Description
2F*00Z*R	Flat Lens, TIR6™ Super-LED®, Amber, Blue, Red or White
2E*00Z*R	Extended Lens, LINZ6™ Super-LED, Amber, Blue, Red or White
2E#00ZCR	Extended Lens, LINZ6 Super-LED, Red/Blue, Red/White or Blue/White

Consult current price list for full list of available options at [whelen.com/literature](http://whelen.com/literature)

Replace \* symbol in model number with letter indicating color desired: A = Amber, B = Blue, R = Red, C = White  
 Replace # in model number with interleaved color desired: D = Red/White, E = Blue/White, J = Red/Blue



## DIMENSIONS



# TIR3™, LIN3™, & LINZ6™ Series



LINZ6™



LIN3™



TIR3™

## FEATURES

- Hard-coated lenses resist environmental damage from sand, sun, salt, and road chemicals
- Fully encapsulated for moisture, vibration and corrosion resistance

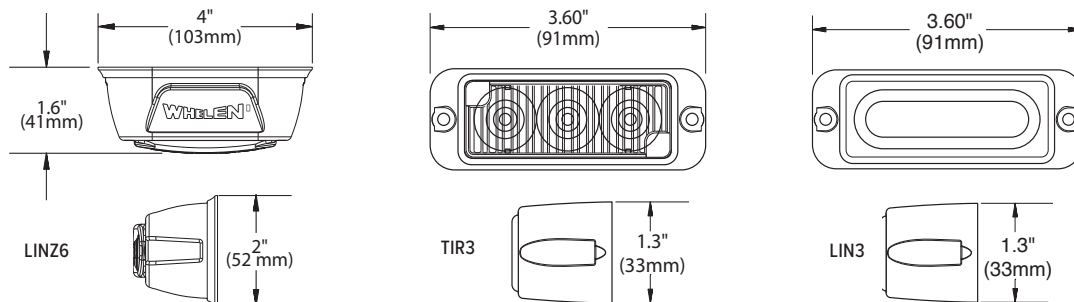
Model	Description
RS*03ZCR	Horizontal Surface Mount, TIR3™ Super-LED®, Amber, Blue, Red or White
RV*03ZCR	Vertical Surface Mount, TIR3 Super-LED, Amber, Blue, Red or White
RS*02ZCR	Horizontal Surface Mount, LIN3™ Super-LED, Amber, Blue, Red or White
LINZ6*	Horizontal Surface Mount, LINZ6™ Super-LED, Amber, Blue, Red or White
LINZ6#	Horizontal Surface Mount, LINZ6 Super-LED, Red/White, Red/Blue or Red/Amber
LINZ61	Horizontal Surface Mount, LINZ6 Super-LED, Amber/Amber
LINZ62	Horizontal Surface Mount, LINZ6 Super-LED, Blue/Blue
LINZ65	Horizontal Surface Mount, LINZ6 Super-LED, Red/Red

Consult current price list for full list of available options at [whelen.com/literature](http://whelen.com/literature)

Replace \* symbol in model number with letter indicating color desired: A = Amber, B = Blue, R = Red, C = White  
 Replace # in model number with interleaved color desired: D = Red/White, J = Red/Blue, K = Red/Amber

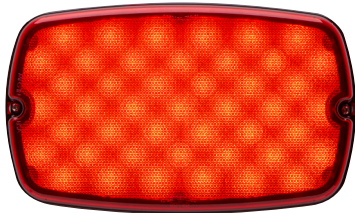


## DIMENSIONS

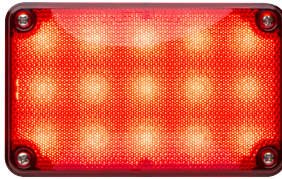


**WARNING:** This product may contain chemicals known to the State of California to cause cancer and birth defects or other reproductive harm. For more information, visit [whelen.com/regulatory](http://whelen.com/regulatory).

# Brake/Tail/Turn Lights



M62BTT



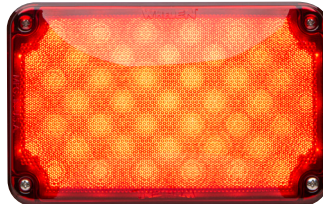
404BTT



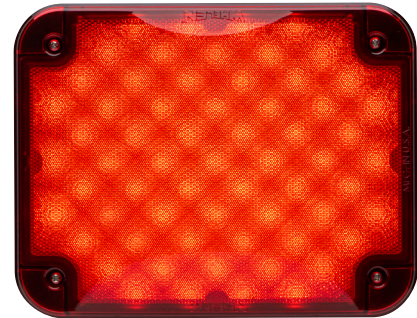
704BTT



M92BTT



604BTT



904BTT

## FEATURES

- Mounts to surface via two or four screws
- Fully encapsulated for moisture, vibration, and corrosion resistance
- Hard-coated lenses minimize environmental damage from sand, sun, salt, and road chemicals

- E Block™ technology prevents air and moisture from entering the lighthead
- A variety of mounting brackets and optional Black and Chrome flanges are available
- Meets SAE requirements

Model	Description
M62BTT	M6 Series, LED, Red
M92BTT	M9 Series, LED, Red
404BTT	400 Series, LED, Red
604BTT	600 Series, LED, Red
704BTT	700 Series, LED, Red
904BTT	900 Series, LED, Red

Consult current price list for full list of available options at [whelen.com/literature](http://whelen.com/literature)  
To order with a clear lens add a "C" to the end of the model number



## OPTIONS



PLAST3V Flange



PLAST4V Flange

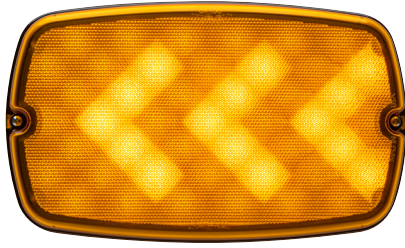


M6FCV3 Flange

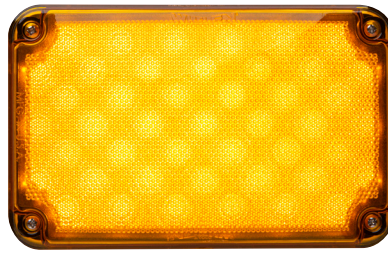


M6FCV4 Flange

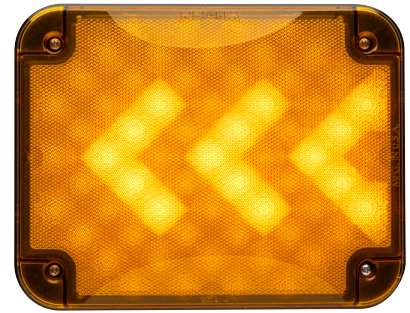
# Turn Signals



M92T



604T



904T



704T



M62T

## FEATURES

- Mounts to surface via two or four screws
- Arrows may be mounted left or right
- Hard-coated lenses minimize environmental damage from sand, sun, salt, and road chemicals
- E Block™ technology prevents air and moisture from entering the lighthead
- Variety of mounting brackets and optional Black and Chrome flanges are available
- Meets SAE requirements

Model	Description
M62T	M6 Series, Amber LED, Turn Light
M92T	M9 Series, Amber LED, Turn Light
404T	400 Series, Amber LED, Turn Light
604T	600 Series, Amber Turn Signal, Populated Arrow
704T	700 Series, Amber Turn Signal, Sequential Chevron Arrow
904T	900 Series, Amber Turn Signal, Populated Left/Right Arrow

Consult current price list for full list of available options at [whelen.com/literature](http://whelen.com/literature)  
 To order with a clear lens add a "C" to the end of the model number



# Back-Up Lights



M62BU



M92BU



604BU



404BUH



704BU



5GC00WCR



404BUV

## FEATURES

- Mounts to surface via two or four screws
- Fully encapsulated for moisture, vibration, and corrosion resistance
- Hard-coated lenses minimize environmental damage from sand, sun, salt, and road chemicals
- E Block™ technology prevents air and moisture from entering the lighthouse
- A variety of mounting brackets and optional Black and Chrome flanges are available
- Meets SAE requirements
- 5G Series is fully encapsulated

Model	Description
5GC00WCR	5G Series, Super-LED®, White
M62BU	M6 Series, Super-LED, White
M92BU	M9 Series, Super-LED, White
404BUH	400 Series, Super-LED, White, Horizontal Mount
404BUV	400 Series, Super-LED, White, Vertical Mount
604BU	600 Series, LED, White
704BU	700 Series, LED, White


Consult current price list for full list of available options at [whelen.com/literature](http://whelen.com/literature)





# TRAFFIC ADVISOR™



 WARNING: This product may contain chemicals known to the State of California to cause cancer and birth defects or other reproductive harm. For more information, visit [wheelen.com/regulatory](http://wheelen.com/regulatory).

**WHELEN**  
MANUFACTURED IN AMERICA

49

# Traffic Advisor™ 2200 Series



TACTL5



## FEATURES

- Utilizes powerful ION™ T-Series™ lighthead with patented E Block™ technology
- IP67 Rated
- Compatible with TACTL5 control head and CTA module
- TACTL5 control head included
- Hard-coated lenses resist environmental damage from sand, sun, salt, and road chemicals
- Low current switching
- Slide bolt mount
- Includes 2 flat end caps

Model	Description
TA2230F	32" Long, 6 Amber Lighthead Traffic Advisor™ with Flat End Caps
TA2240F	42" Long, 8 Amber Lighthead Traffic Advisor™ with Flat End Caps



# Traffic Advisor™ Dominator™ Series



TADCTL1



Dominator Plus™

## FEATURES

- Interior or exterior applications
- Extruded aluminum housing
- Left arrow, right arrow, split arrow, and warning function
- 15' cable standard, alternate cable lengths available, contact factory

Model	Description
DTA6	Dominator Traffic Advisor, Requires Six D* Lighthead, TADCTL1 Control Head Not Included
DTA6A	Dominator Traffic Advisor with Six TIR3™ Amber Lighthead, TADCTL1 Control Head Not Included
DTA8A	Dominator Traffic Advisor with Eight TIR3 Amber Lighthead, TADCTL1 Control Head Not Included
DTA8	Dominator Traffic Advisor, Requires Eight D* Lighthead, TADCTL1 Control Head Not Included
DTAW8	Dominator Traffic Advisor, Requires Eight D* Lighthead (6 Amber, 2 End Warning), TADCTL1 Control Head Not Included
DPTA6A	Dominator Plus Traffic Advisor with Six LINZ6™ Amber Lighthead, TADCTL1 Control Head Not Included
DPTA6	Dominator Plus Traffic Advisor, Requires Six DP* Lighthead, TADCTL1 Control Head Not Included
DPTA8A	Dominator Plus Traffic Advisor with Eight LINZ6 Amber Lighthead, TADCTL1 Control Head Not Included
DPTA8	Dominator Plus Traffic Advisor, Requires Eight DP* Lighthead, TADCTL1 Control Head Not Included
DPTAW8	Dominator Plus Traffic Advisor, Requires Eight DP* Lighthead (6 Amber, 2 End Warning), TADCTL1 Control Head Not Included
DP*	LINZ6 Super-LED® Lighthead, Amber, Blue, Red or White
D*	TIR3 Super-LED Lighthead, Amber, Blue, Red or White



\* Replace symbol in model number with letter indicating desired color: A = Amber, B = Blue, R = Red, C = White  
Consult current price list for full list of available options at [whelen.com/literature](http://whelen.com/literature).

# Traffic Advisor™ Rear Slot Mount

5YR 12 HARD COAT SAE CLASS 1 SOLO™



TAM63



TACTL5



TAZ86

## FEATURES

- Interior or exterior applications
- Extruded aluminum housing
- Left arrow, right arrow, split arrow, and warning function
- 15' cable standard, alternate cable lengths available, contact factory

Model	Description
TAM63	Traffic Advisor with Six TIR3™ Lighthoods, TACTL5 Control Head Included
TAM83	Traffic Advisor with Eight TIR3 Lighthoods, TACTL5 Control Head Included
TAM83**	Traffic Advisor with Eight TIR3 Lighthoods, TACTL5 Control Head Included
TAZ66	Traffic Advisor with Six LINZ6™ Lighthoods, TACTL5 Control Head Included
TAZ86	Traffic Advisor with Eight LINZ6 Lighthoods, TACTL5 Control Head Included
TAZ86**	Traffic Advisor with Eight LINZ6 Lighthoods, TACTL5 Control Head Included



\* Replace symbol in model number with letter indicating desired color: A = Amber, W=White  
Consult current price list for full list of available options at [whelen.com/literature](http://whelen.com/literature).

# Traffic Advisor™ Flat Mount

5YR 12 HARD COAT SAE CLASS 1 SOLO™



TACTL5

## FEATURES

- Interior or exterior applications
- Extruded aluminum housing
- Left arrow, right arrow, split arrow, and warning function

Model	Description
TA4437M	Traffic Advisor with Eight 500 Series 5mm LED Lighthoods, Two Piece TACTL5 Control Head Included
TAL65	Traffic Advisor with Six 500 Series 5mm LED Lighthoods, TACTL5 Control Head Included
TAL85	Traffic Advisor with Eight 500 Series 5mm LED Lighthoods, TACTL5 Control Head Included
TAM65	Traffic Advisor with Six TIR6™ 500 Series Lighthoods, TACTL5 Control Head Included
TAM85	Traffic Advisor with Eight TIR6 500 Series lighthoods, TACTL5 Control Head Included
TAM85**	Traffic Advisor with Eight TIR6 500 Series Lighthoods, TACTL5 Control Head Included



\* Replace symbol in model number with letter indicating desired color: A = Amber, C = White

\*\* Indicates flashing end modules

Consult current price list for full list of available options at [whelen.com/literature](http://whelen.com/literature).

# Traffic Advisor™ Front Load

5YR 12 HARD COAT SAE CLASS 1 TITLE 13 SOLO™

Features available across product family. May not apply to every model.  
 \*Please contact Whelen for specific photometric information regarding CA Title 13 lighthouse and configurable lightbar product conformance.



TACF85



TANF65



TACTL5

## FEATURES

- Interior or exterior applications
- Extruded aluminum housing
- Left arrow, right arrow, split arrow, and warning function
- 15' cable standard, alternate cable lengths available, contact factory

Model	Traffic Advisor Front Load Series Description
TADF6	Traffic Advisor with Six DUO™ Linear Super-LED® Lighthoods, No Control Head Required
TADF8	Traffic Advisor with Eight DUO Linear Super-LED Lighthoods, No Control Head Required
TANF65	Traffic Advisor with Six 500 Series Linear-LED® Lighthoods, TACTL5 Control Head Included
TANF85	Traffic Advisor with Eight 500 Series Linear-LED Lighthoods, TACTL5 Control Head Included
TANF85**	Traffic Advisor with Eight 500 Series Linear-LED Lighthoods, TACTL5 Control Head Included
TACF85	Traffic Advisor with Eight CON3™ Super-LED Lighthoods, TACTL5 Control Head Included
TACF85**	Traffic Advisor with Eight CON3 Super-LED Lighthoods, TACTL5 Control Head Included



\* Replace symbol in model number with letter indicating desired color: A = Amber, C = White, R = Red, B = Blue  
 Consult current price list for full list of available options at [whelen.com/literature](http://whelen.com/literature).

# Traffic Advisor™ TAC8 (Economy)

5YR 12 IP67 HARD COAT SAE CLASS 1 SOLO™

Features available across product family. May not apply to every model.



## FEATURES


- TAC8 compact control head easily mounted 3 different ways: VHB Tape, Velcro®, or Permanent mount hardware
- Extruded aluminum housing
- Left arrow, right arrow, split arrow, and warning function
- Rear dip switch provides 8 flash pattern choices
- 15' cable standard, alternate cable lengths available, contact factory

Model	Traffic Advisor TAC8 (Economy) Series Description
TAC815	Traffic Advisor with Eight SOLO™ Super-LED Lighthoods, 15' Cable and Control Head Included
TAC830	Traffic Advisor with Eight SOLO Super-LED Lighthoods, 30' Cable and Control Head Included
TAC850	Traffic Advisor with Eight SOLO Super-LED Lighthoods, 50' Cable and Control Head Included



# BEACONS



 WARNING: This product may contain chemicals known to the State of California to cause cancer and birth defects or other reproductive harm. For more information, visit [whelen.com/regulatory](http://whelen.com/regulatory).

**WHELEN**  
MANUFACTURED IN AMERICA

53

# B6 Series Combination Tailboard Lighting



## FEATURES

- Designed for use in NFPA 1900 Specification lighting packages
- Combines 360° warning and directional lighting
- Hard-coated domes and lenses resist environmental damage from sand, sun, salt, and road chemicals
- Lower light offered in single or split-color
- Polished aluminum base

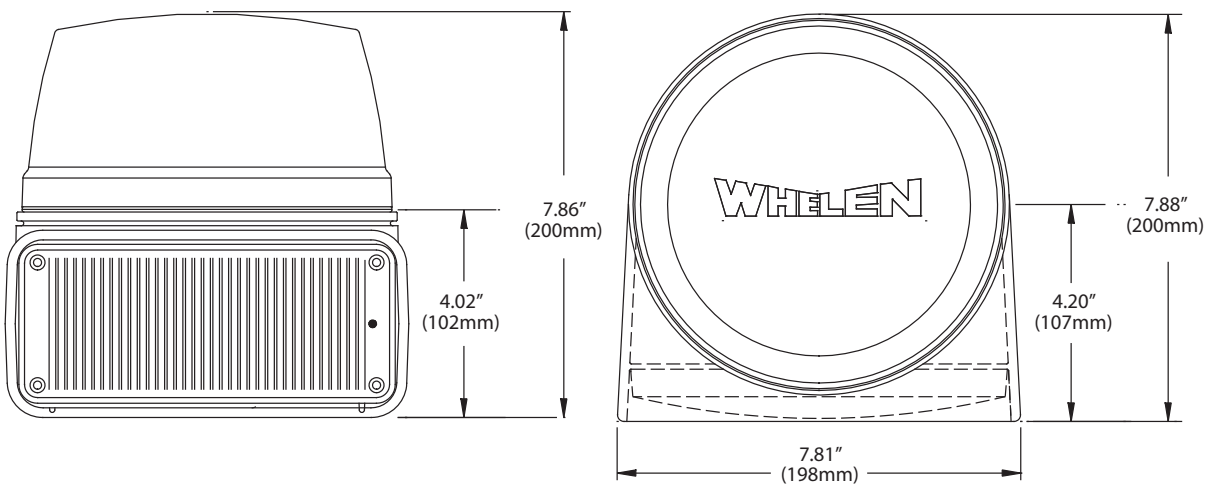


Model	Description
<b>B63M7**</b>	R316 Super-LED® Rota-Beam™ Beacon Upper, with M7 Super-LED Lighthead
<b>B6370**</b>	R316 Super-LED Rota-Beam Beacon Upper, with 700 Series Super-LED Lighthead Lower
<b>B6MM**P</b>	L31 Super-LED Beacon Upper, with 700 Series Super-LED Lighthead Lower

Consult current price list for full list of available options at [whelen.com/literature](http://whelen.com/literature)  
 Replace \* symbol in model number with letter indicating color desired: A = Amber, B = Blue, R = Red, C = White, G = Green  
 To order Clear lenses add corresponding number to the end of model number 1 = A, 2 = B, 4 = G, 5 = R



## DIMENSIONS



# R316 & R416 Series



R316



R416

## FEATURES

- SAE Class 1 Certified
- Smooth polycarbonate dome
- Powder-coated die-cast base
- Conformal coated electronics

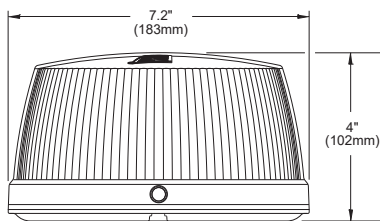
- Hard-coated domes resist environmental damage from sand, sun, salt, and road chemicals

Model	Description
R316*F	Permanent Mount, Red, Blue, Amber or White
R316*M	Magnetic Mount, Red, Blue, Amber or White
R316*V	Magnetic/Suction Mount, Red, Blue, Amber or White
R316**F	Permanent Mount, Two-Color, Split Front/Rear, Red, Blue, Amber and/or White
R316**M	Magnetic Mount, Two-Color, Split Front/Rear, Red, Blue, Amber and/or White
R316**V	Magnetic/Suction Mount, Two-Color, Split Front/Rear, Red, Blue, Amber and/or White
R416*F	Permanent Mount, Red, Blue, Amber or White
R416*M	Magnetic Mount, Red, Blue, Amber or White
R416*V	Magnetic/Suction Mount, Red, Blue, Amber or White
R416**F	Permanent Mount, Two-Color, Split Front/Rear, Red, Blue, Amber and/or White
R416**M	Magnetic Mount, Two-Color, Split Front/Rear, Red, Blue, Amber and/or White
R416**V	Magnetic/Suction Mount, Two-Color, Split Front/Rear, Red, Blue, Amber and/or White

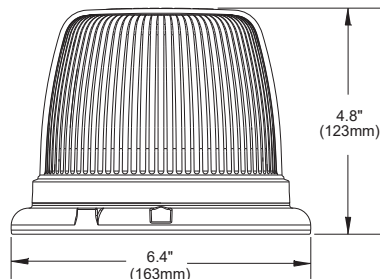
Consult current price list for full list of available options at [whelen.com/literature](http://whelen.com/literature)  
 Replace \* symbol in model number with letter indicating color desired: A = Amber, B = Blue, R = Red, C = White  
 To order Clear lenses add corresponding number to the end of model number 1 = A, 2 = B, 5 = R



## DIMENSIONS



R316 Series



R416 Series

WARNING: This product may contain chemicals known to the State of California to cause cancer and birth defects or other reproductive harm. For more information, visit [whelen.com/regulatory](http://whelen.com/regulatory).

# L31 & L32 Super-LED® Series



\*L31 only



L32



L31

## FEATURES

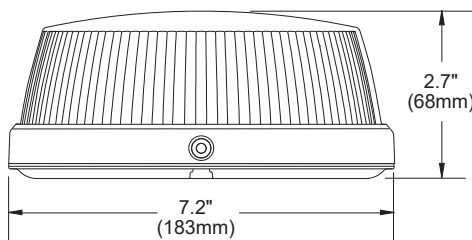
- SAE Class 1 Certified (Amber)
- High and low-dome models
- Smooth polycarbonate dome
- Dynamic Variable Intensity™ (DVI™) light patterns (L31 only)
- Powder-coated die-cast base
- Conformal coated electronics

Model	Description
L31H*F	Permanent Mount, High Dome, Red, Blue, Amber or White
L31HPF	Permanent Mount, High Dome, Amber/Green
L31H*M	Magnetic Mount, High Dome, Red, Blue, Amber or White
L31H*V	Magnetic/Suction Mount, High Dome, Red, Blue, Amber or White
L31H*F4	Permanent Mount, High Dome, Red, Blue, Amber or White
L32L*F	Permanent Mount, Low Dome, Red, Blue, Amber or White
L32L*M	Magnetic Mount, Low Dome, Red, Blue, Amber or White
L32L*V	Magnetic/Suction Mount, Low Dome, Red, Blue, Amber or White
L32L*F4	Permanent Mount, Low Dome, Red, Blue, Amber or White
L31HRFN	Permanent Mount, High Dome, Red, Meets NFPA Zone C Upper Requirements

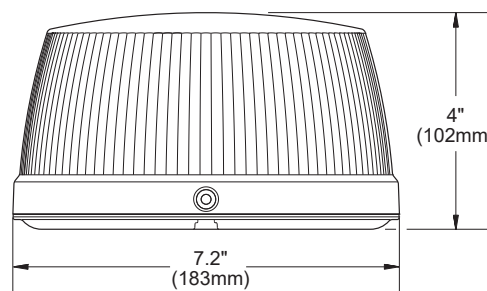
Consult current price list for full list of available options at [whelen.com/literature](http://whelen.com/literature)  
 Replace \* symbol in model number with letter indicating color desired: A = Amber, B = Blue, R = Red, C = White  
 To order Clear lenses add corresponding number to the end of model number 1 = A, 2 = B, 4 = G, 5 = R



## DIMENSIONS




L32 Series



L31 Series



# WHITE ILLUMINATION

 WARNING: This product may contain chemicals known to the State of California to cause cancer and birth defects or other reproductive harm. For more information, visit [whelen.com/regulatory](http://whelen.com/regulatory).

**WHELEN**  
MANUFACTURED IN AMERICA

# WorkSide™



## FEATURES

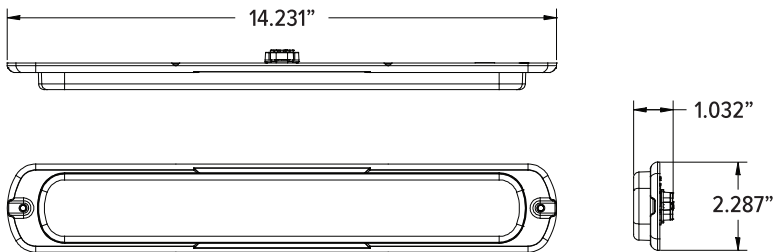
- Light is projected down and out to a 10'x10' ground area for increased visibility and expanded view of work areas
- Sleek, low-profile, Strip-Lite™ style footprint
- Patented E Block™ technology prevents air and moisture from entering the lighthead
- Selectable turn-on functionality
- Multiple turn-on styles ranging from instant to gradual (Slow, Medium, Fast, Instant)
- 3 low-power settings provide situation-specific lighting for a variety of scenarios
- Hard-coated lenses resist environmental damage from sand, sun, salt, and road chemicals
- Low power and low current consumption

Model	Flange	Lens Color	VDC
WSLC	Chrome	Clear	10-30V
WSLB	Black		

Consult current price list for full list of available options at [whelen.com/literature](http://whelen.com/literature)



## DIMENSIONS



# Arges® Remote Spotlight

2YR MOTOR ONLY 10YR 12 WE CAN X PROCLERA ProFocus

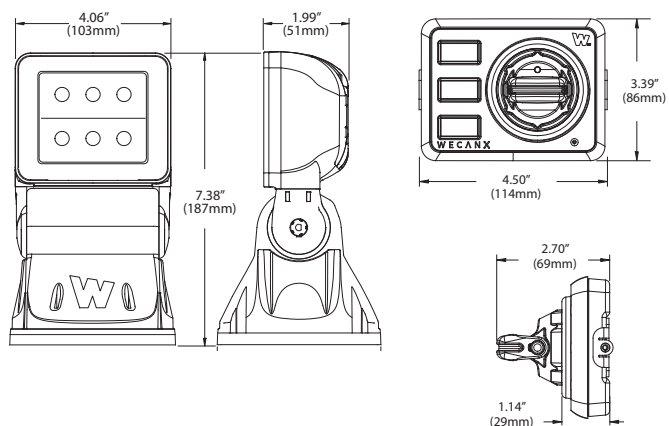
## ARGES®

### FEATURES

- Innovative mechanical design provides 360° of continuous rotation and a 180° tilt range
- ProFocus™ Models: 5° spot to 60° flood variable beam width
- Spotlight Models: 5° spot
- Proclera® Silicone Optics
- Black die-cast aluminum housing
- CenCom Core® and WeCanX® compatible
- Drivetrain is electronically and mechanically protected
- Arges installs quickly and requires no A-pillar drilling or airbag interference
- Includes two 18" power control harnesses and one 12" communication cable
- Control head features a paddle and three push-buttons
- Program Arges with Whelen Command® or use alone with its paired control head
- Full Arges system passes CISPR 25 Class 3



### DIMENSIONS



Model	Description
ARGES1	5° Spotlight with Proclera® Silicone Optic
ARGES2	ProFocus™, Select from Spot/Flood Combination Light or Floodlight from the Control Head
ARGFMKT	Arges Kit, Includes ARGES1 Spotlight, ARGCH1 Control Head and ARGFM Flat Mount
ARGCH1	Control Head for Arges, Bail Bracket
ARGCH2	Control Head for Arges, Swivel Mount
ARGFM	Flat Mount, Universal
ARG49D	Chevy Silverado 1500, 2019-2023, Driver Side Fender Mount
ARG49P	Chevy Silverado 1500, 2019-2023, Passenger Side Fender Mount
ARG49BD	Chevy Silverado 2500/3500, 2020-2024, Driver Side Fender Mount
ARG54D	Chevy Tahoe, 2021-2023, Driver Side Fender Mount
ARG54P	Chevy Tahoe, 2021-2023, Passenger Side Fender Mount
ARG35D	Dodge Charger, 2016-2023, Driver Side Fender Mount
ARG44AD	Dodge Durango, 2015-2023, Driver Side Fender Mount
ARG44AP	Dodge Durango, 2015-2023, Passenger Side Fender Mount
ARG42D	Ram 1500/2500/3500, 2014-2018 and Ram 1500 (Classic), 2019-2022, Driver Side Fender Mount
ARG53D	Ford Escape, 2020-2023, Driver Side Fender Mount
ARG50D	Ford Police Interceptor Utility, 2020-2023, Driver Side Fender Mount

ARG50P	Ford Police Interceptor Utility, 2020-2023, Passenger Side Fender Mount
ARG47CD	Ford F-150, 2021-2023, Driver Side Fender Mount
ARG47CP	Ford F-150, 2021-2023, Passenger Side Fender Mount
ARG47BD	Ford F-250/F-350, 2019-2022, Ford F-450/F-550 Super-Duty, 2019-2022, Driver Side Fender Mount
ARG47BP	Ford F-250/F-350, 2019-2022, Ford F-450/F-550 Super-Duty, 2019-2022, Passenger Side Fender Mount
ARG47DD	Ford F-250/F-350, 2023, Ford F-450/F-550/F600 Super-Duty, 2023, Driver Side Fender Mount
ARG47DP	Ford F-250/F-350, 2023, Ford F-450/F-550/F600 Super-Duty, 2023, Passenger Side Fender Mount
ARG47ED	Ford F-150 Lightning, 2022-2023, Driver Side Fender Mount
ARG47EP	Ford F-150 Lightning, 2022-2023, Passenger Side Fender Mount
ARG48D	Ford Expedition, 2019-2023, Driver Side Fender Mount
ARG57D	Ford Mach-E, 2021-2023, Driver Side Fender Mount
ARG57P	Ford Mach-E, 2021-2023, Passenger Side Fender Mount
ARG56D	Tesla Model Y, 2021-2022, Driver Side Fender Mount
ARGMK1	Ford Police Interceptor Utility, 2020-2023, Driver Side Arges Control Head Mount Kit
ARGLB1	Lightbar Mounting Bracket for Legacy®, Liberty™ II, Justice®, and Freedom® IV Series Lightbars, Arges with Flat Mount Purchased Separately.



WARNING: This product may contain chemicals known to the State of California to cause cancer and birth defects or other reproductive harm. For more information, visit whelen.com/regulatory.

# M6 EZ Scene Light™



Features available across product family. May not apply to every model.



M62SLC

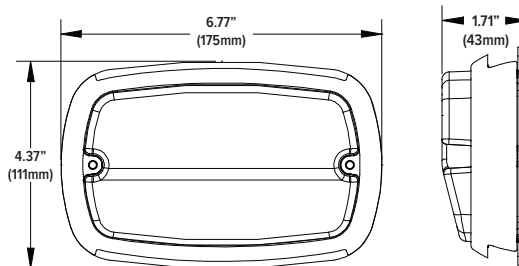
Model	Flange	Lens Color	VDC	Compliance
M62SLC	Chrome	Clear	10/30	IP67 Rated
M62SLB	Black			



## FEATURES

- Hard-coated lenses resist environmental damage from sand, sun, salt, and road chemicals
- Conformal coated electronics for moisture and vibration resistance
- Gradient Opti-Scenelight™ technology enables efficient use of light
- Selectable turn-on functionality
- Multiple turn-on styles ranging from instant to gradual (Slow, Medium, Fast, Instant)
- 3 low-power settings provide situation-specific lighting for a variety of scenarios
- Surface mount via 2 screws for easy installation
- 6" pigtail cable included

## DIMENSIONS



# 600 EZ Scene Light™



Features available across product family. May not apply to every model.



604SLB

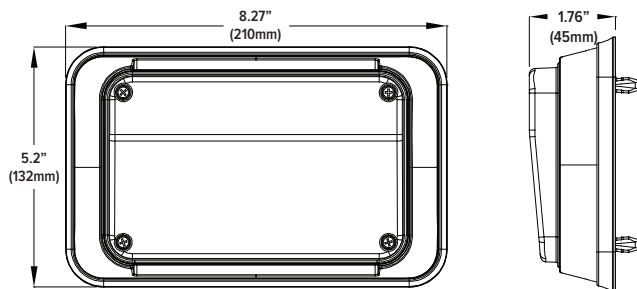
Model	Flange	Lens Color	VDC	Compliance
604SLC	Chrome	Clear	10/30	IP67 Rated
604SLB	Black			



## FEATURES

- Hard-coated lenses resist environmental damage from sand, sun, salt, and road chemicals
- Conformal coated electronics for moisture and vibration resistance
- Gradient Opti-Scenelight™ technology enables efficient use of light
- Selectable turn-on functionality
- Multiple turn-on styles ranging from instant to gradual (Slow, Medium, Fast, Instant)
- 3 low-power settings provide situation-specific lighting for a variety of scenarios
- Surface mount via 4 screws for easy installation
- 6" pigtail cable included

## DIMENSIONS



# M9 EZ Scene Light™



Features available across product family. May not apply to every model.



M92SLB

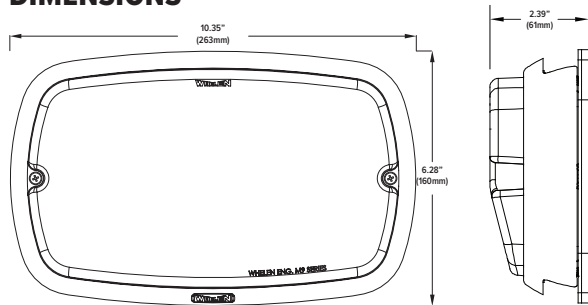
Model	Flange	Lens Color	VDC	Compliance
M92SLC	Chrome	Clear	12	IP67 Rated
M92SLB	Black			
M92SLC4	Chrome		24	
M92SLB4	Black			



## FEATURES

- Hard-coated lenses resist environmental damage from sand, sun, salt, and road chemicals
- Conformal coated electronics for moisture and vibration resistance
- Gradient Opti-Scenelight™ technology enables efficient use of light
- Selectable turn-on functionality
- Multiple turn-on styles ranging from instant to gradual (Slow, Medium, Fast, Instant)
- 3 low-power settings provide situation-specific lighting for a variety of scenarios
- Surface mount via 2 screws for easy installation
- 6" pigtail cable included

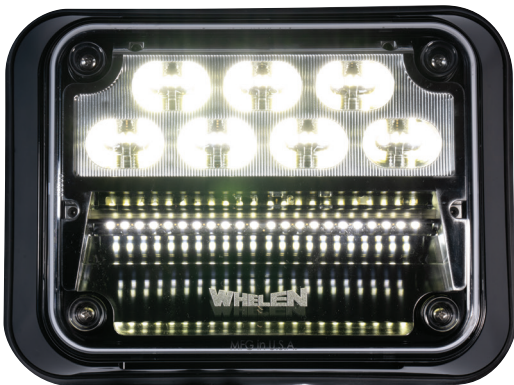
## DIMENSIONS



# 900 EZ Scene Light™



Features available across product family. May not apply to every model.



904SLB

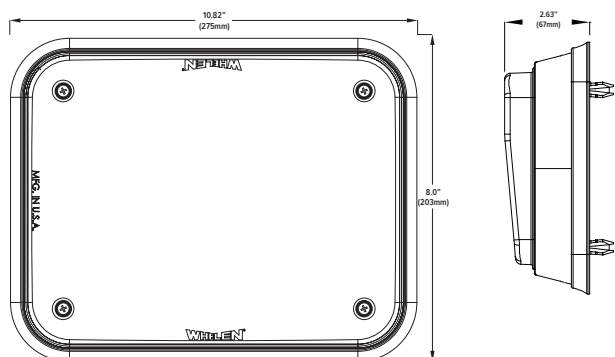
Model	Flange	Lens Color	VDC	Compliance
904SLC	Chrome	Clear	12	IP67 Rated
904SLB	Black			
904SLC4	Chrome		24	
904SLB4	Black			



## FEATURES

- Hard-coated lenses resist environmental damage from sand, sun, salt, and road chemicals
- Conformal coated electronics for moisture and vibration resistance
- Gradient Opti-Scenelight™ technology enables efficient use of light
- Selectable turn-on functionality
- Multiple turn-on styles ranging from instant to gradual (Slow, Medium, Fast, Instant)
- 3 low-power settings provide situation-specific lighting for a variety of scenarios
- Surface mount via 4 screws for easy installation
- 6" pigtail cable included

## DIMENSIONS

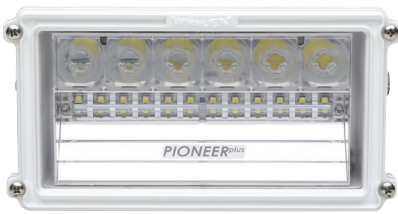


**WARNING:** This product may contain chemicals known to the State of California to cause cancer and birth defects or other reproductive harm. For more information, visit [whelen.com/regulatory](http://whelen.com/regulatory).

# Pioneer Plus™



 Download Pioneer™ Designer for models and options



## FEATURES

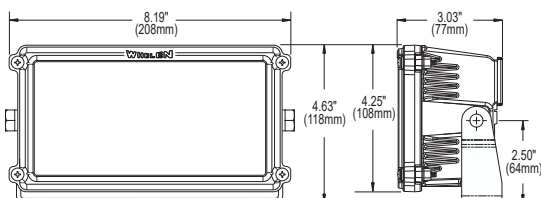
- Single and dual models available
- Pioneer Plus Combination Floodlight/Spotlight features Proclera® Optic Technology
- Injection molded polycarbonate lenses are impact resistant and hard-coated
- Die-cast aluminum powder-coated housing in Black or White
- LEDs are instant On/Off, eliminating high inrush current and ramp-up time
- Correlated Color Temperature (CCT) of 5,700° Kelvin simulates bright midday light
- Powder-coated stainless steel bail bracket
- DC models includes 20' cable, AC models include 12" wire leads

Model	Description
PFH1	Single Panel Floodlight
PCH1	Single Panel Combination Flood/Spotlight
PFH2	Dual Panel Floodlight
PCH2	Dual Panel Combination Flood/Spotlight
PFP1AC	Single Panel Floodlight, 115 VAC
PSP1AC	Single Panel, Spotlight, 8°, 115 VAC
PFP2AC	Dual Panel Floodlight, 115 VAC
PCP2AFS	Dual Panel, Combination Flood/Spotlight, 115 VAC
PCP2ASF	Dual Panel, Combination Flood/Spotlight, 115 VAC
PCP3	Max Combination Flood and 8° Spotlight, 12 VDC
PCP3A	Max Combination Flood and 8° Spotlight, 115 VAC

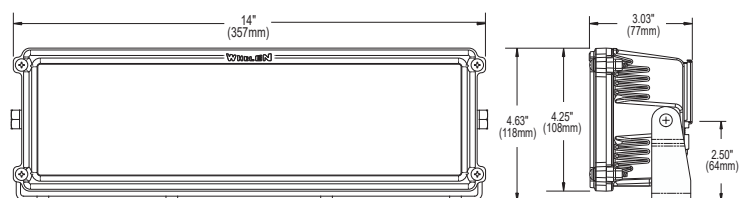
Consult current price list for full list of available options at [whelen.com/literature](http://whelen.com/literature)



## DIMENSIONS



Single Panel Floodlight



Double Panel Floodlight

# Pioneer Summit™

5YR 12 24 IP67 HARD COAT PROCLERA

 Download Pioneer™ Designer for models and options



## FEATURES

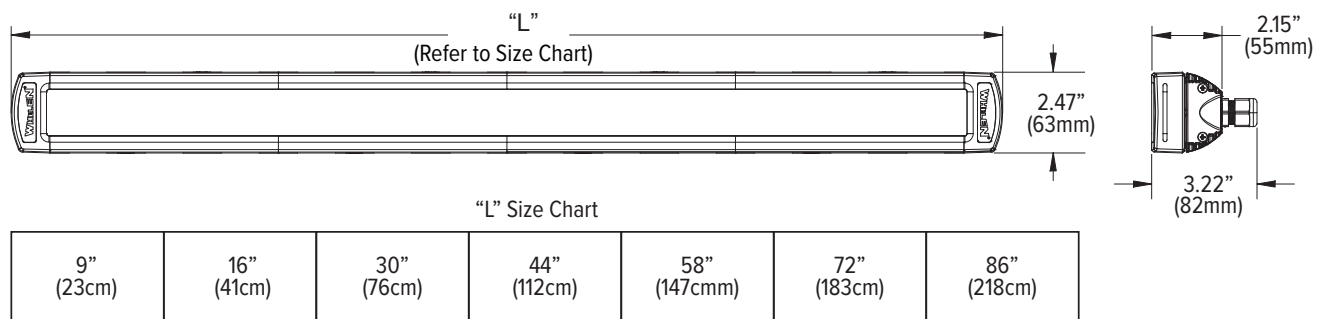
- SAE 578 Color Temperature Certified
- Preconfigured spot, flood, or scene optics
- Available with White illumination, Amber marker, and warning lights
- Warning lights require remote flasher, purchased separately
- Individual control of each set of optics
- Hard-coated lenses resist environmental damage from sand, sun, salt, and road chemicals
- Extruded and die-cast aluminum powder-coated housing available in Black or White
- Screwless lens retainer design provides a clean finish and the improved ability to adjust optic configuration
- Rear mounting track for flexible mounting configurations, bail bracket mount standard
- Includes 2' cable, connector, and heat shrink tubing


Model	Length	Description
S86MB	86"	Separate Control of Scene, Flood and Spot Lights, Built-in Amber Clearance and Identification Lights
S86MRB		Separate Control of Scene, Flood and Four Red Warning Lights, Built-in Amber Clearance and Identification Lights
S72MB	72"	Separate Control of Scene, Flood and Spot Lights, Built-in Amber Clearance and Identification Lights
S72MRB		Separate Control of Scene, Flood and Four Red Warning Lights, Built-in Amber Clearance and Identification Lights
S58MB	58"	Separate Control of Scene, Flood and Spot Lights, Built-in Amber Clearance and Identification Lights
S58MRB		Separate Control of Scene, Flood and Four Red Warning Lights, Built-in Amber Clearance and Identification Lights
S44MB	44"	Separate Control of Scene, Flood and Spot Lights, Built-in Amber Identification Lights
S44MRB		Separate Control of Scene, Flood and Two Red Warning Lights, Built-in Amber Identification Lights
S30MB	30"	Separate Control of Scene, Flood and Spot Lights, Built-in Amber Identification Lights
S30MRB		Separate Control of Scene, Flood and Two Red Warning Lights, Built-in Amber Identification Lights
S161MB	16"	Wide Flood Light with Built-in Amber Clearance Light
S162MB		Spot Light with Built-in Amber Clearance Light
S091MB	9"	Wide Flood Light with Built-in Amber Clearance Light
S092MB		Spot Light with Built-in Amber Clearance Light

Consult current price list for full list of available options at [whelen.com/literature](http://whelen.com/literature)



## DIMENSIONS



 WARNING: This product may contain chemicals known to the State of California to cause cancer and birth defects or other reproductive harm. For more information, visit [whelen.com/regulatory](http://whelen.com/regulatory).





# Pioneer Plus™ Surface Mount



 Download Pioneer™ Designer for models and options



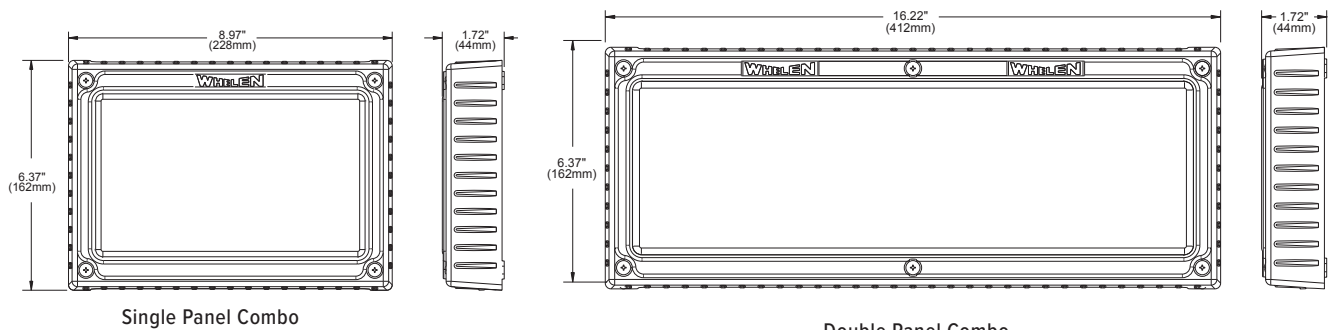
## FEATURES

- Single and dual models available
- Injection molded polycarbonate lenses are impact resistant and hard-coated
- Aluminum heat plate in Black or White
- LEDs are instant On/Off, eliminating high inrush current and ramp-up time
- Correlated Color Temperature (CCT) of 5,700° Kelvin simulates bright midday light
- 6' cable included
- Surface mount:
  - Requires no body cut-outs
  - Built-in nylon screw grommets eliminate galvanic corrosion
  - Uniquely designed silicone grommet seals the 1" wire entry into the body
- Black or Chrome flange available

Model	Description
PCPSM1C	Single Panel, Combination Flood/Spot, Chrome Flange
PCPSM1B	Single Panel, Combination Flood/Spot, Black Flange
PCPSM1AC	Single Panel, Combination Flood/Spot, 115 VAC, Chrome Flange
PCPSM1AB	Single Panel, Combination Flood/Spot, 115 VAC, Black Flange
PCPSM2C	Dual Panel, Combination Flood/Spot, Chrome Flange
PCPSM2B	Dual Panel, Combination Flood/Spot, Black Flange
PCPSM2AC	Dual Panel, Combination Flood/Spot, 115 VAC, Chrome Flange
PCPSM2AB	Dual Panel, Combination Flood/Spot, 115 VAC, Black Flange




## DIMENSIONS



Single Panel Combo

Double Panel Combo

 WARNING: This product may contain chemicals known to the State of California to cause cancer and birth defects or other reproductive harm. For more information, visit [whelen.com/regulatory](http://whelen.com/regulatory).

# Pioneer SlimLine™



Download Pioneer™ Designer for models and options



## FEATURES

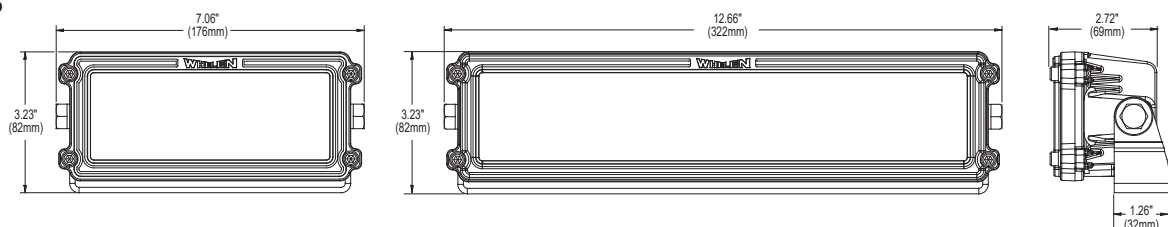
- Single or dual models available
- Single Lamp Models: 8° spotlight pattern comes standard
  - Includes additional 40° x 20° flood lens
- Dual Lamp Models: 8° spotlight pattern comes standard
- Includes two additional optic lenses for a light pattern choice of:
  - Dual 40° x 20° flood
  - 8° spot and 40° x 20° flood
- Optic lens changes easily via removable lens retainer
- Injection molded polycarbonate lenses are impact resistant
- Die-cast aluminum powder-coated housing in Black or White
- LEDs are instant On/Off, eliminating high inrush current and ramp-up time
- Correlated Color Temperature (CCT) of 5,700° Kelvin simulates bright midday light
- 6' cable included
- Powder-coated stainless steel bail bracket
- Hard-coated lenses resist environmental damage from sand, sun, salt, and road chemicals

Model	Description
PSL1B	Single Panel, Bail/Stud Mount, White Housing
PSL1BB	Single Panel, Bail/Stud Mount, Black Housing
PSL1P	Single Panel, Low Profile Pedestal/Swivel Mount, White Housing
PSL1PB	Single Panel, Low Profile Pedestal/Swivel Mount, Black Housing
PSL1R	Single Panel, Semi-Recessed Chrome Flange Mount, White Housing
PSL1RB	Single Panel, Semi-Recessed Chrome Flange Mount, Black Housing
PSL1R5	Single Panel, Semi-Recessed 15° Angle Chrome Flange Mount, White Housing
PSL1R5B	Single Panel, Semi-Recessed 15° Angle Chrome Flange Mount, Black Housing
PSL2B	Dual Panel, Bail/Stud Mount, White Housing
PSL2BB	Dual Panel, Bail/Stud Mount, Black Housing
PSL2P	Dual Panel, Low Profile Pedestal/Swivel Mount, White Housing
PSL2PB	Dual Panel, Low Profile Pedestal/Swivel Mount, Black Housing
PSL2R	Dual Panel, Semi-Recessed Chrome Flange Mount, White Housing
PSL2RB	Dual Panel, Semi-Recessed Chrome Flange Mount, Black Housing
PSL2R5	Dual Panel, Semi-Recessed 15° Angle Chrome Flange Mount, White Housing
PSL2R5B	Dual Panel, Semi-Recessed 15° Angle Chrome Flange Mount, Black Housing

Consult current price list for full list of available options at [whelen.com/literature](http://whelen.com/literature)



## DIMENSIONS



# Pioneer Micro™



Download Pioneer™ Designer for models and options



## FEATURES

- 8° spotlight pattern comes standard. Includes three additional optic lenses for a light pattern choice of:
  - 90° x 20° wide flood
  - 40° x 20° standard flood
  - 40° x 8° narrow flood
- Optic lens changes easily via removable lens retainer
- Injection molded polycarbonate lenses are impact resistant
- Die-cast aluminum powder-coated housing in Black or White
- LEDs are instant On/Off, eliminating high inrush current and ramp-up time
- Correlated Color Temperature (CCT) of 5,700° Kelvin simulates bright midday light
- Hard-coated lenses resist environmental damage from

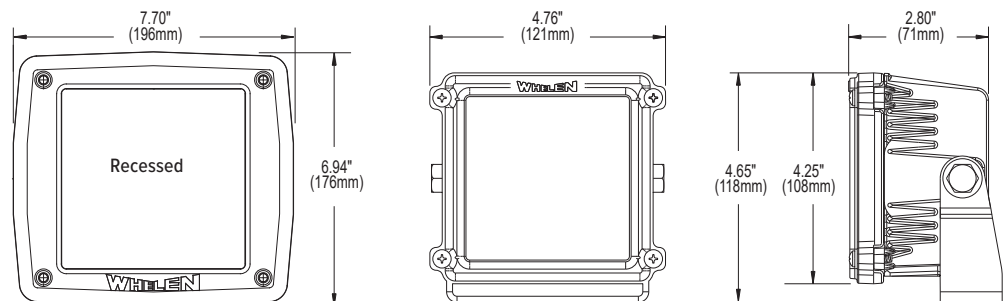
- sand, sun, salt, and road chemicals
- 6' cable included
- Five mounts available:
  1. Powder-coated stainless steel bail bracket with 3/8"-16 stud carriage bolt mount
  2. Recessed 90° angle mount with Chrome flange
  3. Recessed 15° angle mount with Chrome flange
  4. Pole/pedestal mount with handle available with or without On/Off switch
  5. Low-profile pedestal mount available with Chrome or Black back cover, with or without On/Off switch

Model	Description
MPBW	Bail/Stud Mount, White Housing
MPBB	Bail/Stud Mount, Black Housing
MPPW	Low Profile Pedestal/Swivel Mount, White Housing
MPPB	Low Profile Pedestal/Swivel Mount, Black Housing
MPPWCS	Low Profile Pedestal/Swivel Mount, White Housing, Chrome Cover and On/Off Switch
MPPBBS	Low Profile Pedestal/Swivel Mount, Black Housing and On/Off Switch
MPPBCS	Low Profile Pedestal/Swivel Mount, Black Housing, Chrome Cover and On/Off Switch
MPRW	Straight Recessed Mount, White Housing
MPRB	Straight Recessed Mount, Black Housing
MPR15W	15° Recessed Mount, White Housing

Consult current price list for full list of available options at [whelen.com/literature](http://whelen.com/literature)



## DIMENSIONS



**WARNING:** This product may contain chemicals known to the State of California to cause cancer and birth defects or other reproductive harm. For more information, visit [whelen.com/regulatory](http://whelen.com/regulatory).

**WHELEN®**  
MANUFACTURED IN AMERICA

# Pioneer Nano™



Download Pioneer™ Designer for models and options



## FEATURES

- 8° spotlight pattern comes standard. Includes additional optic lens for a light pattern of:
  - 40° x 20° flood
- Optic lens changes easily via removable lens retainer
- Injection molded polycarbonate lenses are impact resistant
- Die-cast aluminum powder-coated housing in Black or White

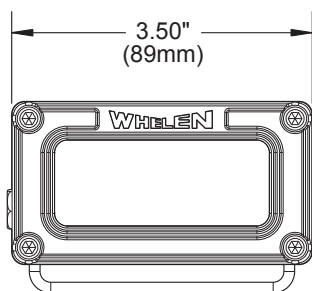
- LEDs are instant On/Off, eliminating high inrush current and ramp-up time
- Correlated Color Temperature (CCT) of 5,700° Kelvin simulates bright midday light
- Includes 6' cable
- Powder-coated stainless steel bail bracket with 0.38" stud carriage bolt mount

Model	Description
NP3BW	3-LED, Bail Mount, White Housing
NP3BB	3-LED, Bail Mount, Black Housing
NP6BW	6-LED, Bail Mount, White Housing
NP6BB	6-LED, Bail Mount, Black Housing

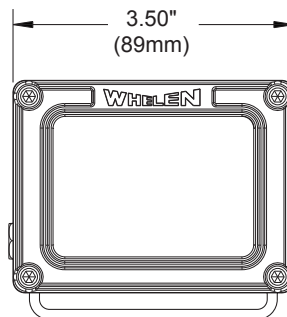
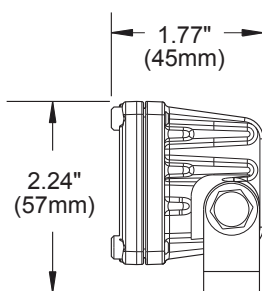
Consult current price list for full list of available options at [whelen.com/literature](http://whelen.com/literature)



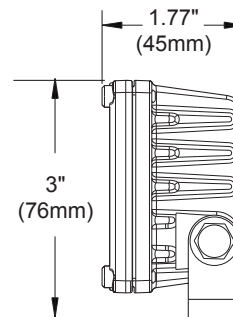
## DIMENSIONS



NP3BW 3-LED



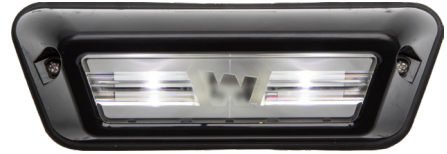
NP6BW 6-LED



# Scene Lights



75COENZR



PEL2B



M9LZC



70COELZR



M6ZC



95COENZR



M7ZC



65COENZR

## FEATURES

- Instant On with no warm-up time
- Hard-coated lenses resist environmental damage from sand, sun, salt, and road chemicals

Model	Description
<b>65COENZR</b>	600 Series, Surface Mount
<b>60COELZR</b>	600 Series, Recessed Mount
<b>75COENZR</b>	700 Series, Surface Mount
<b>70COELZR</b>	700 Series, Recessed Mount
<b>95COENZR</b>	900 Series, Surface Mount, Includes Chrome Flange
<b>PEL2C</b>	PEL Series, Ground Perimeter Light, Surface Mount, Includes Chrome Flange
<b>PEL2B</b>	PEL Series, Ground Perimeter Light, Surface Mount, Includes Black Flange
<b>M6ZC</b>	M6 Series, Surface Mount
<b>M7ZC</b>	M7 Series, Surface Mount
<b>M9LZC</b>	M9 Series, Surface Mount, Includes Chrome Flange

Consult current price list for full list of available options at [whelen.com/literature](http://whelen.com/literature)  
See model-specific pages for dimensions



# Interior Lights

10YR 5YR 12



86CE1



5GCOCCCR



20COCD



PSCOMPL



PSCOMPH



F27PC



TOCACCR

Model	Description
86CE1	Rectangular Interior Dome Super-LED®, White
TOCACCR	2" Round 5mm LED Compartment Light, White
20COCD	2G Series, Super-LED (4" Round) Compartment Light, 12 Diodes, White
20COCD	2G Series, Super-LED (4" Round) Compartment Light, with Deutsch® Connector, 12 Diodes, White
5GCOCCCR	5G Series, Super-LED Compartment Light, White
F09PC	Fluorent Plus™ Super-LED 9" Compartment Tube Lighting, White
F18PC	Fluorent Plus Super-LED 18" Compartment Tube Lighting, White
F27PC	Fluorent Plus Super-LED 27" Compartment Tube Lighting, White
F36PC	Fluorent Plus Super-LED 36" Compartment Tube Lighting, White
F45PC	Fluorent Plus Super-LED 45" Compartment Tube Lighting, White
F54PC	Fluorent Plus Super-LED 54" Compartment Tube Lighting, White
F63PC	Fluorent Plus Super-LED 63" Compartment Tube Lighting, White
PSCOMPL	Strip-Lite™ Plus Surface Mount Super-LED Compartment Light, Low Intensity
PSCOMPH	Strip-Lite Plus Surface Mount Super-LED Compartment Light, High Intensity

Consult current price list for full list of available options at [whelen.com/literature](http://whelen.com/literature)

See model-specific pages for dimensions



# Interior Lights



70CREGCS (Shown White)

70CREGCS (Shown Red)



8" Round Lighthead



6" Round Lighthead



3" Round Lighthead

Model	Description
3SC0CDRCR	3" Round LED, Compartment Light, White
3SR0CDRR	3" Round LED, Nighttime Illumination, Red
3SBCCDCR	3" Round LED, Compartment Light, Split Blue/White
3SRCCDCR	3" Round LED, Compartment Light, Split Red/White
60COEHCR	6" Round Super-LED®, Compartment Light, 18 Diodes, White
60COEJCS	6" Round Super-LED, Compartment Light, 6 Diodes, White
60CBEGCS	6" Round Super-LED, Compartment Light, 6 Blue Diodes and 6 White Diodes
60CREGCS	6" Round Super-LED, Compartment Light, 6 Red Diodes and 6 White Diodes
70CREGCS	700 Series, Compartment Light, 30 Red Diodes and 30 White Diodes
80COEHCR	8" Round Super-LED Ambulance Light, 18 Diodes, White
80C00EZR	8" Round Super-LED Ambulance Light, 18 Diodes, White
8WC00EZR	8" Round Super-LED Ambulance Light, 18 Diodes, White
80CBEHCR	8" Round Super-LED Ambulance Light, 6 White Diodes and 3 Blue Diodes
80CREHCR	8" Round Super-LED Ambulance Light, 6 White Diodes and 3 Red Diodes

Consult current price list for full list of available options at [whelen.com/literature](http://whelen.com/literature)

See model-specific pages for dimensions



# Rubber Housing Spot/Floodlights



## FEATURES

- Rubber stud/swivel housing
- Available with or without lighthouse
- Durable TPE housing resists cracking
- Hard-coated lenses resist environmental damage from sand, sun, salt, and road chemicals

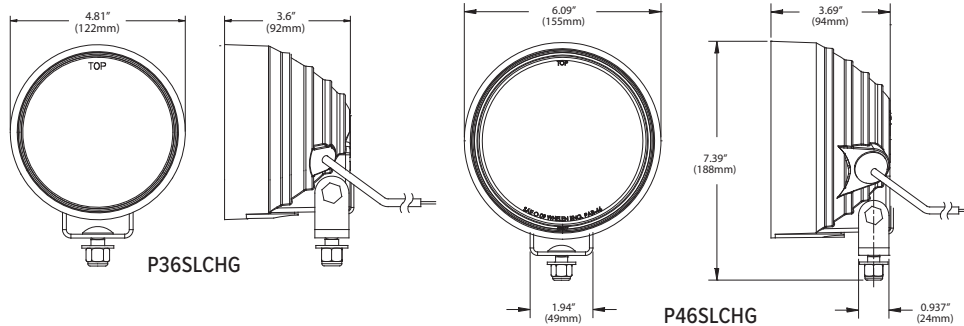


Model	Description
P36SLCHG	PAR-36, Combination Spotlight/Floodlight
P46SLCHG	PAR-46, Spotlight

Consult current price list for full list of available options at [whelen.com/literature](http://whelen.com/literature)



## DIMENSIONS



# Handheld Spot/Floodlights



## FEATURES

- 90lb pull magnet mount with 8' coiled cord and cigar plug
- Built-in push-button On/Off switch
- Durable TPE housing resists cracking
- Hard-coated lenses resist environmental damage from sand, sun, salt, and road chemicals

Model	Description
P36HHS	PAR-36, Super-LED® Handheld Combination Spotlight/Floodlight
P46HHS	PAR-46, Super-LED Handheld Spotlight

Consult current price list for full list of available options at [whelen.com/literature](http://whelen.com/literature)





# PAR-36 & PAR-46



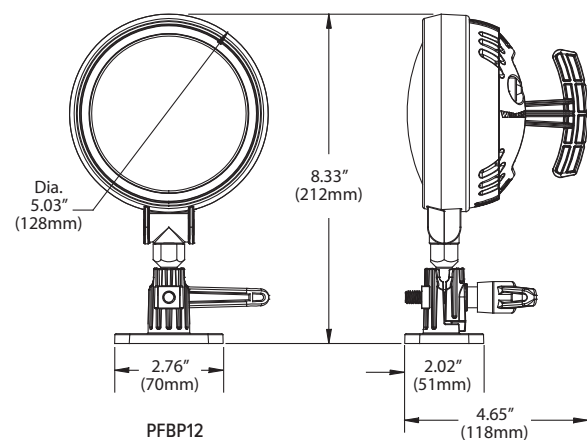
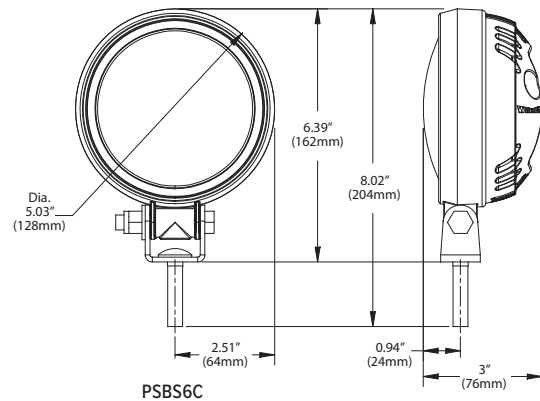
## FEATURES

- Floodlight or spotlight models
- Black die-cast aluminum housing
- Hard-coated lenses resist environmental damage from sand, sun, salt, and road chemicals
- Indexing locking lever on pedestal swivel
- Super-LED® with low current draw
- Stainless steel bracket and hardware included
- Two intensities available



Model	Description
PFBP12	12 Super-LED Floodlight, Black Housing
PFBP12C	12 Super-LED Floodlight, Black Housing, Chrome Rear Cover
PFBP6	6 Super-LED Floodlight, Black Housing
PFBP6C	6 Super-LED Floodlight, Black Housing, Chrome Rear Cover
PFBS12	12 Super-LED Floodlight, Black Housing
PFBS12C	12 Super-LED Floodlight, Black Housing, Chrome Rear Cover
PFBS6	6 Super-LED Floodlight, Black Housing
PFBS6C	6 Super-LED Floodlight, Black Housing, Chrome Rear Cover
PFBS6S	6 Super-LED Floodlight, Black Housing, Switch
PFBS12S	12 Super-LED Floodlight, Black Housing, Switch
PSBP12	12 Super-LED Spotlight, Black Housing
PSBP12C	12 Super-LED Spotlight, Black Housing, Chrome Rear Cover
PSBP6	6 Super-LED Spotlight, Black Housing
PSBP6C	6 Super-LED Spotlight, Black Housing, Chrome Rear Cover
PSBS12	12 Super-LED Spotlight, Black Housing
PSBS12C	12 Super-LED Spotlight, Black Housing, Chrome Rear Cover
PSBS6	6 Super-LED Spotlight, Black Housing
PSBS6C	6 Super-LED Spotlight, Black Housing, Chrome Rear Cover
PSBS6S	6 Super-LED Spotlight, Black Housing, Switch
PSBS12S	12 Super-LED Spotlight, Black Housing, Switch

## DIMENSIONS



Consult current price list for full list of available options at [whelen.com/literature](http://whelen.com/literature)



**WARNING:** This product may contain chemicals known to the State of California to cause cancer and birth defects or other reproductive harm. For more information, visit [whelen.com/regulatory](http://whelen.com/regulatory).

# PAR Replacement Lamps



## FEATURES

- Hard-coated lenses resist environmental damage from sand, sun, salt, and road chemicals
- Clear or Smoked lenses available

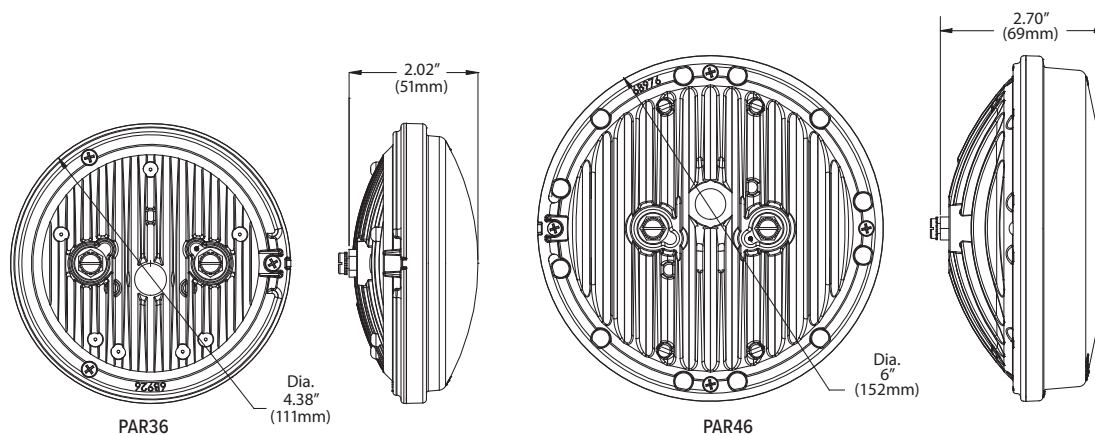
Model	Description
P46SC	PAR-46 Replacement, 2° Spotlight (Replaces P46SLC)
P46SCX	PAR-46 Replacement, 2° Spotlight, Smoked Lens (Replaces P46SLCX)
P46FLC	PAR-46 Super-LED, 8° Spotlight, White
P46FLCX	PAR-46 Super-LED, 8° Spotlight, with Smoked Lens, White
P46WLC	PAR-46 Super-LED, 20° x 60° Floodlight, White
P46WLCX	PAR-46 Super-LED, 20° x 60° Floodlight, with Smoked Lens, White
P46S2*	PAR-46 Super-LED, 8° Spotlight with Blue or Red Warning
P46S2X2	PAR-46 Super-LED, 8° Spotlight with California Steady Red
P46S2*3	PAR-46 Super-LED, 8° Spotlight with Blue or Red Warning
P36SLC	PAR-36 Super-LED, 2° Spotlight, White

Consult current price list for full list of available options at [whelen.com/literature](http://whelen.com/literature)

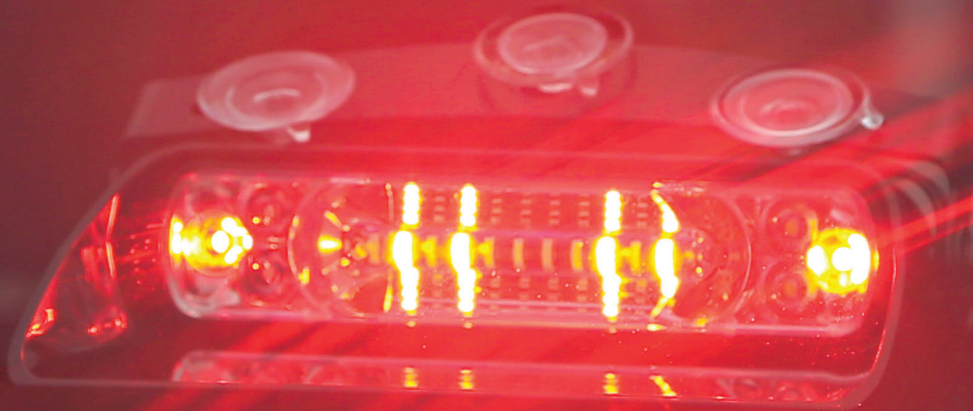
Replace \* symbol in model number with letter indicating color desired: B = Blue, R = Red, C = White



## DIMENSIONS



# DASH & DECK



 WARNING: This product may contain chemicals known to the State of California to cause cancer and birth defects or other reproductive harm. For more information, visit [whelen.com/regulatory](http://whelen.com/regulatory).

**WHELEN** 75  
MANUFACTURED IN AMERICA

# Avenger® II Series



## FEATURES

- SAE Class 1 Certified
- Combination Linear/TIR™ optics
- SOLO™, DUO™ and TRIO™ models available
- Polycarbonate housing
- Conformal coated electronics
- Cigar plug series models include 10' cord with On/Off switch and Scan-Lock™ flash pattern switch
- Hard-wire series models include 2-wire (SOLO), 3-wire (DUO) or 4-wire (TRIO) pigtail

Model	Description
AVC11*	Single Lamp, SOLO, Amber, Blue, Red or White
AVC21**	Dual Lamp, SOLO, Amber, Blue, Red or White
AVC12#	Single Lamp, DUO, Red/White, Blue/White, Amber/White, Red/Blue, Red/Amber or Blue/Amber
AVC22DD	Dual Lamp, DUO, Two Red/White
AVC22DE	Dual Lamp, DUO, One Red/White, One Blue/White
AVC22EE	Dual Lamp, DUO, Two Blue/White
AVC22FF	Dual Lamp, DUO, Two Amber/White
AVC22JJ	Dual Lamp, DUO, Two Red/Blue
AVC22MM	Dual Lamp, DUO, Two Blue/Amber
AVC13RBC	Single Lamp, TRIO, Red/Blue/White
AVC13RBA	Single Lamp, TRIO, Red/Blue/Amber
AVC13RAC	Single Lamp, TRIO, Red/Amber/White
AVC13BAC	Single Lamp, TRIO, Blue/Amber/White

Model	Description
AVC23RBC	Dual Lamp, TRIO, Red/Blue/White
AVC23RBA	Dual Lamp, TRIO, Red/Blue/Amber
AVC23RAC	Dual Lamp, TRIO, Red/Amber/White
AVC23BAC	Dual Lamp, TRIO, Blue/Amber/White
AVW11*	Single Lamp, SOLO, Red, Blue, Amber or White
AVW21**	Dual Lamp, SOLO, Red, Blue, Amber and/or White
AVW12#	Single Lamp, DUO, Red/Blue, Amber/White, Blue/White, Red/White or Blue/Amber
AVW22DD	Dual Lamp, DUO, Two Red/White
AVW22DE	Dual Lamp, DUO, One Red/White and One Blue/White
AVW22EE	Dual Lamp, DUO, Two Blue/White
AVW22FF	Dual Lamp, DUO, Two Amber/White
AVW22JJ	Dual Lamp, DUO, Two Red/Blue
AVW22MM	Dual Lamp, DUO, Two Blue/Amber

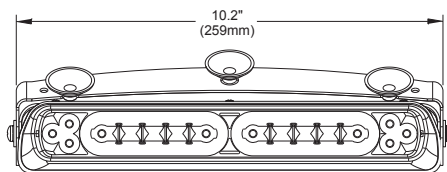
Consult current price list for full list of available options at [whelen.com/literature](http://whelen.com/literature)

Replace \* symbol in model number with letter indicating color desired: A = Amber, B = Blue, R = Red, C = White

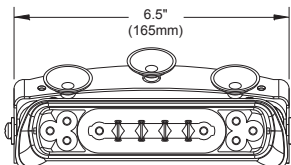
Replace # in model number with interleaved color desired: D = Red/White, E = Blue/White, F = Amber/White, J = Red/Blue, K = Red/Amber, M = Blue/Amber



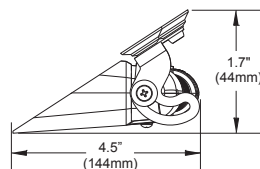
## DIMENSIONS



Avenger II Dual Series



Avenger II Single Series



# SlimLighter®



## FEATURES

- Swivel bracket for permanent or suction cup mounting included
- Includes built-in pattern selection button, 10' straight cord with cigar plug and On/Off switch with LED "On" indicator

Model	Description
SLPMM**	Super-LED® Interior Light, Amber, Blue, Red, or White

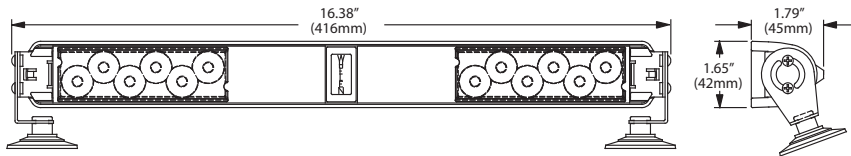
Consult current price list for full list of available options at [whelen.com/literature](http://whelen.com/literature)

Replace \* symbol in model number with letter indicating color desired:

A = Amber, B = Blue, R = Red, C = White



## DIMENSIONS



# SpitFire ION™ Series



## FEATURES

- Polycarbonate housing
- Conformal coated electronics
- Hard-coated lenses resist environmental damage from sand, sun, salt, and road chemicals
- Models include 10' cord with cigar plug with On/Off switch and Scan-Lock™ flash pattern switch

Model	Description
SFION*	Super-LED SpitFire ION, Amber, Blue, Red or White

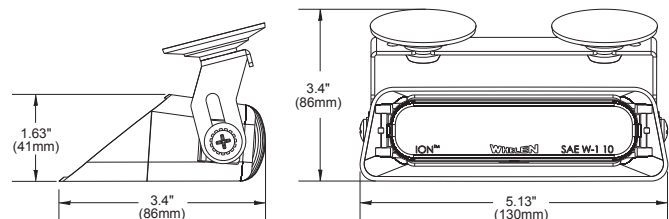
Consult current price list for full list of available options at [whelen.com/literature](http://whelen.com/literature)

Replace \* symbol in model number with letter indicating color desired:

A = Amber, B = Blue, R = Red, C = White



## DIMENSIONS



# CONTROLS & SIRENS



# CenCom Core®



Created to enhance first responder safety, CenCom Core redefined control systems by providing the greatest configurability, speed, and expansion yet. Built to scale with your needs, Core™ is highly configurable and offers advanced automation, remote connectivity, and true system synchronization.

## FEATURES

- Powered by WeCanX®
- Supports any combination of up to 99 WeCanX devices
- Seamlessly integrates with Whelen Command® software
- Remote firmware updates through USB-C with Whelen Command or over-the-air with Whelen Cloud Platform®
- Vehicle-to-Vehicle Sync

# Core-S™



The newest addition to Whelen's industry-leading Core family of control systems, Core-S is a true one-box solution. Its space-saving design allows for installation in tight spaces like in a console or under a dash. And installation has never been easier with connector placement specifically designed for hard-to-reach areas. Core-S features a siren, input/output, and control functionality in one compact box along with an integrated control head.

## FEATURES

- Powered by WeCanX
- Seamlessly integrates with Whelen Command software
- Remote firmware updates through USB-C with Whelen Command or over-the-air with Whelen Cloud Platform
- Vehicle-to-Vehicle Sync

# Core-R™



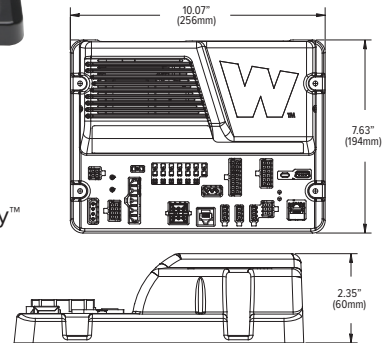
Core-R is a vehicle control system engineered to enhance first responder and motorist safety with complete configurability, advanced automation, and remote connectivity.

## FEATURES

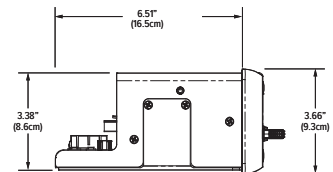
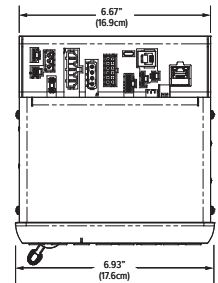
- Powered by WeCanX®
- Supports any combination of up to 99 WeCanX devices
- Seamlessly integrates with Whelen Command® software
- Remote firmware updates through USB-C with Whelen Command or over-the-air with Whelen Cloud Platform®



## DIMENSIONS



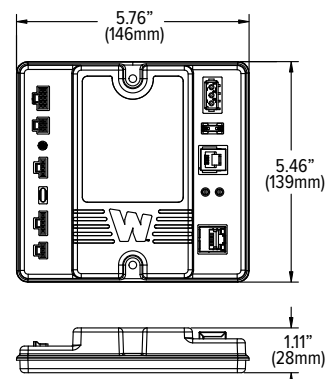
- Dynamic Variable Intensity™ light patterns
- 17 total inputs
- 23 total outputs



- Dynamic Variable Intensity light patterns
- 11 total inputs
- 16 total outputs



## DIMENSIONS



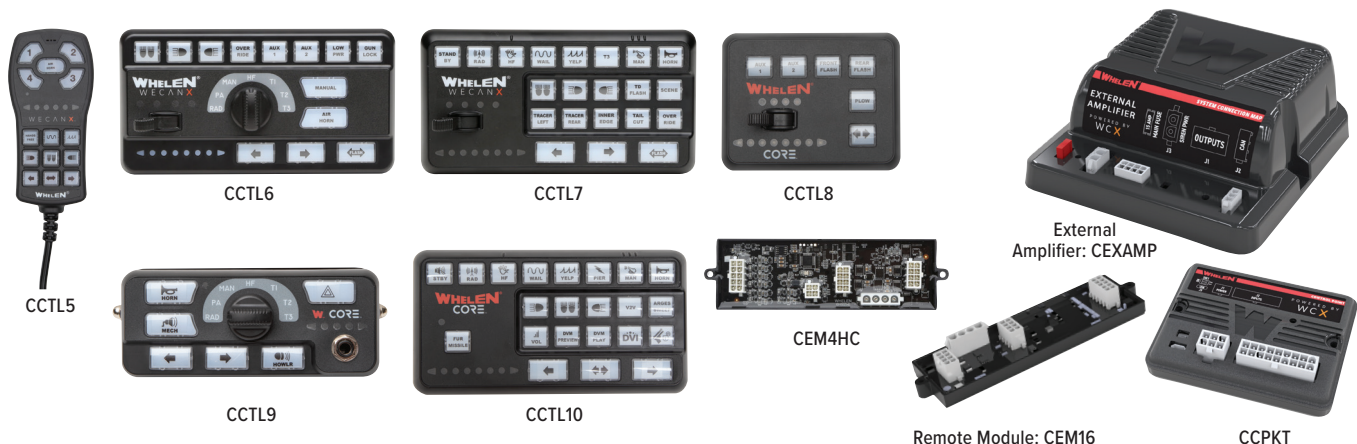
- Vehicle-to-Vehicle Sync
- Dynamic Variable Intensity™ light patterns
- 8 total inputs

# CenCom Core® Models

Model	Description
C399	Amplifier Control Module, Flashing Outputs, Includes 3 CANports™, and Controls up to 99 Devices/Remote Modules, Control Heads Purchased Separately
C399R	Control Module, Includes 8 Digital Inputs, 3 CANports and Controls up to 99 Device/Remote Modules, Control Head and Other Optional Modules Purchased Separately. 10-30 VDC
C399S	200 Watt Amplifier Control Module, Flashing Outputs, Includes 3 CANports and Controls Up to 99 Devices/Remote Modules, Control Head and Other Modules Purchased Separately. 12 VDC
C399SH	100 Watt Amplifier Control Module with 100 Watt Howler™, Flashing Outputs, Includes 3 CANports and Controls Up to 99 Devices/Remote Modules, Control Head and Other Modules Purchased Separately. Single Howler Mounting Bracket purchased Separately, 12 VDC
C399S6	Single Unit 200 Watt Siren with Integrated 3 Section Control Head and 8 Push-Buttons, 4-Position Slide Switch with a 7-Position Rotary Knob. Manual, Airhorn Plus 3 Traffic Advisor™ Switches and Microphone with Extension Cable
C399S6H	Single Unit 100 Watt Siren and 100 Watt Howler with Integrated 3 Section Control Head and 8 Push-Buttons, 4-Position Slide Switch with a 7-Position Rotary Knob. Manual, Airhorn Plus 3 Traffic Advisor Switches and Microphone with Extension Cable, Single Howler Mounting Bracket purchased Separately, 12VDC
C399S7	Single Unit 200 Watt Siren with Integrated 3 Section Control Head and 21 Push-Buttons, 4-Position Slide Switch, Microphone with Extension Cable
C399S7H	Single Unit 100 Watt Siren and 100 Watt Howler with Integrated 3 Section Control Head and 21 Push-Buttons, 4-Position Slide Switch, Microphone with Extension Cable, Single Howler Mounting Bracket purchased Separately, 12 VDC
CCP9	Core-C™ - Core™ Control Point and Switch Combination, 4-Position Slide Switch and 6 Push-Buttons. One 5 Amp Output for Auxiliary Lighting. LED TA Indicator, 10-30 VDC and V2V Sync Capable
CCPKT	Core Control Point for use with WeCanX® Devices when NOT using CenCom Core® (For use when not Purchasing a Lightbar)
C399RD1	Core-R™ DOT - Control Module, Includes 8 Digital Inputs, 1 WeCanX Port and Controls up to 99 Device/Remote Modules, and One CEM16 Module Mounted in a Single Box, Control Head and Other Optional Modules Purchased Separately. 12 VDC
C399RD2	Core-R™ DOT - Control Module, Includes 8 Digital Inputs, 1 WeCanX Port and Controls up to 99 Device/Remote Modules, and Two CEM16 Modules Mounted in a Single Box, Control Head and Other Optional Modules Purchased Separately. 12 VDC

## WeCanX Control Heads

Model	Description
CCTL5	Includes Handheld Combination Microphone and Controller, 5-Position Progressive Light/Siren Control, 9 Push-Buttons and a Microphone Extension Cable
CCTL6	Includes 3 Section Control Head and 8 Push-Buttons, 4-Position Slide Switch with a 7-Position Rotary Knob. Manual, Airhorn Plus 3 Traffic Advisor Switches and Microphone with Extension Cable
CCTL7	Includes 3 Section Control Head and 21 Push-Buttons, 4-Position Slide Switch, Microphone with Extension Cable
CCTL8	Includes 6 Push-Buttons and a 4-Position Slide Switch, Includes Microphone
CCTL8LM	Includes 6 Push-Buttons and a 4-Position Slide Switch (Microphone Not Included)
CCTL9	Includes 2 Section Control Head and 6 Push-Buttons with a 7-Position Rotary Knob, Microphone and Microphone Extension Cable
CCTL9LM	Includes 2 Section Control Head and 6 Push-Buttons with a 7-Position Rotary Knob, (No Microphone and Microphone Extension Cable)
CCTL10	Includes 3 Section Control Head and 21 Push-Buttons, 1 Master Push-Button, Microphone with Extension Cable
CCTLHARN	CenCom Core Control Head Harness Kit, for use with any Non-Primary Control Head exluding the CCTL5, Control Heads Purchased Separately





## OBDII CANPort™ Installation Kits for Core™

Model	Description
C399K1	OBDII CANport™ Installation Kit for C399 for 2016-2019 Ford Interceptor Utility, 2020-2022 Ford Interceptor Utility used with Factory Option 61B, 2016-2020 Ford F-150, 2018-2022 Ford, F-250/350 2018-2019 Ford, F-450/550, Expedition and Transit 150/250/350, 2017-2019 Ford Fusion (All Models), 2020 Ford Fusion Hybrid and 2016-2017 Dodge Charger (Not for use with Core-R™ and C399S)
C399K2	OBDII CANport Installation Kit for C399 for Chevy, 2017-2020 Tahoe, 2017-2018 Silverado 1500, 2019-2021 Silverado 1500 (Body Style), 2017-2019 Silverado 2500/3500, 2019-2021 Colorado 1500, 2019 Impala, 2018-2020 Suburban (Not for use with Core-R and C399S)
C399K3	OBDII CANport Installation Kit for C399 for 2018-2020 Ram Classic 1500, 2019-2020 Ram 1500, 2021-2022 Ram 2500/3500, 2018-2022 Dodge Charger and 2018-2022 Dodge Durango (Not for use with Core-R and C399S)
C399K4	2020-2021 Ford Interceptor Utility Gateway Installation Kit for C399, for use WITHOUT Ford 61B Factory Option (Not for use with Core-R and C399S)
C399K5	2020-2021 Ford Expedition, 2020-2022 F-250/F-350/F-450/F550/F-600 Super Duty and 2020-2021 Transit Gateway Installation Kit for C399 (Not for use with Core-R and C399S)
C399K6	2021-2022 Chevy Tahoe and 2021-2022 Suburban Installation Kit for C399 (Not for use with Core-R and C399S)
C399K7	Ford F-150, 2021-2023, Ford F-150 Lightning, 2022-2023, Ford Police Interceptor Utility , 2020-2022, Ford Escape, 2022-2023, Ford Expedition, 2022-2023, and Ford Mustang Mach-E, 2021-2023, Ford Ranger, 2022-2023, Installation Kit for C399 (Not for use with Core-R™ and C399S)
C399K8	2021-2022 Tesla Model Y Installation Kit (Not for use with Core-R and C399S)
C399K9	2022 Chevy Silverado PPV/LTD, 2022 Chevy Colorado Installation Kit (Not for use with Core-R and C399S)

## OBDII CANPort Installation Kits for Core-R™ and Core-S™

Model	Description
C399RK1	OBDII CANport Installation Kit for C399R and C399S Only, for 2016-2019 Ford Interceptor Utility, 2020-2022 Ford Interceptor Utility used with Factory Option 61B, 2016-2020 Ford F-150, 2018-2022 Ford F-250/350, 2018-2019 450/550, Expedition and Transit 150/250/350, 2017-2019 Ford Fusion (All Models), 2020 Ford Fusion Hybrid and 2016-2017 Dodge Charger
C399RK2	OBDII CANport Installation Kit for C399R Only, for Chevy, 2017-2020 Tahoe, 2017-2018 Silverado 1500, 2019-2022 Silverado 1500 (Body Style), 2017-2019 Silverado 2500/3500, 2019-2021 Colorado 1500, 2019 Impala, 2018-2020 Suburban
C399RK3	OBDII CANPort™ Installation Kit for C399R and C399S Only, for Ram Classic 1500, 2018-2020, Ram 1500, 2019-2020, Ram 2500/3500, 2021-2022, Dodge Charger, 2018-2022, and Dodge Durango, 2018-2023
C399RK4	2020 Ford Interceptor Utility Gateway Installation Kit for C399R and C399S Only, for use WITHOUT Ford 61B Factory Option
C399RK5	2020-2021 Ford Expedition, 2020-2022 F-250/F-350/F-450/F550/F-600 Super Duty and 2020-2021 Transit Gateway Installation Kit for C399R and C399S Only
C399RK6	2021-2022 Chevy Tahoe and 2021-2022 Suburban Installation Kit, for C399R and C399S Only
C399RK7	Ford F-150, 2021-2023, Ford F-150 Lightning, 2022-2023, Ford Police Interceptor Utility , 2020-2022, Ford Escape, 2022-2023, Ford Expedition, 2022-2023, and Ford Mustang Mach-E, 2021-2023, Ford Ranger, 2022-2023, Installation Kit for C399R and C399S Only
C399RK8	2021-2022 Tesla Model Y Installation Kit for C399R and C399S Only
C399RK9	2022 Chevy Silverado PPV/LTD, 2022 Chevy Colorado Installation Kit for C399R and C399S Only

\*Core-S utilizes the Core-R OBD2 Cable. Please make sure that you use the C399RK\* when specifying Core-S. The C399K\* will not work as it uses a different connector.

## System Expansions

Model	Description
CEM8	8 Output, 4 Input WeCanX® Expansion Module
CEM16	16 Output, 4 Input WeCanX Expansion Module
CEM4HC	WeCanX High Current Remote Expansion Module, 4-15 Amp Output
CTA	WeCanX Traffic Advisor™ Remote Module, Traffic Advisor Purchased Separately
CEXAMP	WeCanX External Amplifier
CV2V	Vehicle To Vehicle Module, Includes Internal Antenna

# 295 Series Electronic Sirens



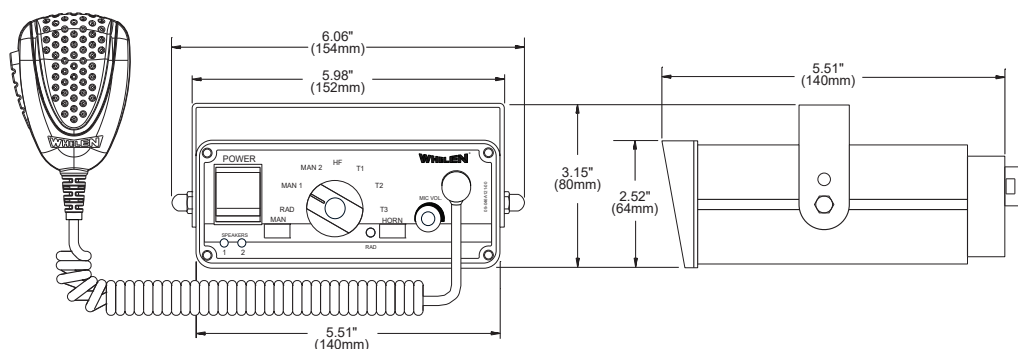
## FEATURES

- Combination On/Off and horn ring transfer switch
- Models available with SI TEST®, a silent, self-diagnostic indicator of siren or speaker failure
- Input polarity protection
- Recess or bail bracket for under dash mounting

Model	Description
295SDA1	Dual Tone Siren, Full Function Control Head
295SSA1	Single Tone Siren, Full Function Control Head
295LSA1	Siren Amplifier, Scan-Lock™ Siren Tones
295HFS2	Remote Siren Amplifier (Flush Mount Head)
295HFS2X	Remote Siren Amplifier (Flush Mount Head), Dual Amplifiers, Meets CA Title 13 Requirements
295LSA6	Single Unit Siren with Control Head; Park Kill, Timed Out Relay and Scan-Lock Siren Tones
295HFA7	Remote Dual Siren Amplifier, Flush Mount Control Head, Meets CA Title 13 Requirements
295HFSC9	Self-Contained Full Function Siren, Removable Microphone
295SL100	Full Function Siren, Heavy-Duty Microphone
295SL101	Full Function Siren, Heavy-Duty Plug-In Microphone, Volume Control Knob

Consult current price list for full list of available options at [whelen.com/literature](http://whelen.com/literature)

## DIMENSIONS



# Howler™ Siren System



CHOWLER



HOWLER



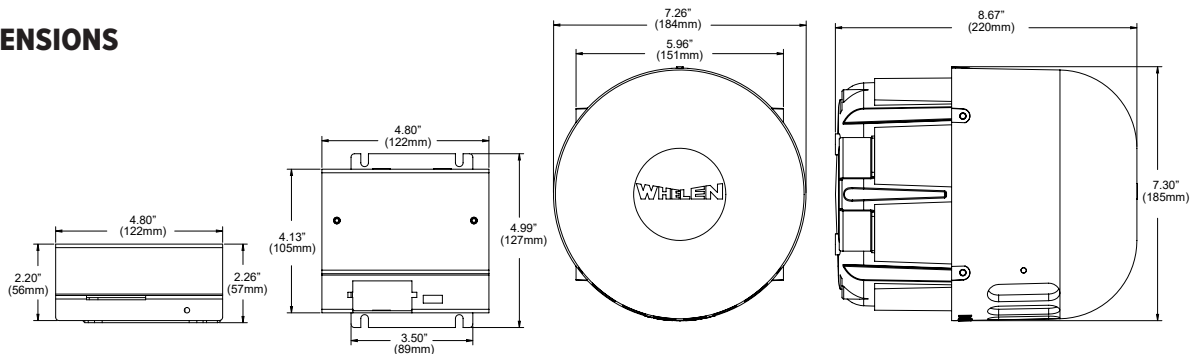
## FEATURES

- Low-frequency siren and speaker system
- Provides deep tones to penetrate other vehicles
- Howler is an add-on to any 100/200 watt siren amplifier and is not a replacement to the vehicle's primary siren
- Uses low frequency tones to synchronize with the vehicle's primary siren tones
- Works with any sweeping, Hi/Low, or electronic mechanical tones generated by the primary siren
- Certain vehicle models may utilize single or dual speaker systems

Model	Series	Speakers	Output	VDC	Mounting
HWLUNI	Howler	1	100-Watt	12	Universal Mounting Bracket
HWLD15					2015-2023 Dodge Charger
HWLFE29					2020-2022 Ford Police Interceptor Utility
HOWLER	Howler and WeCanX Howler	2	200-Watt	12	Optional Vehicle Specific Mounting Bracket Available
CHOWLER					Optional Vehicle Specific Mounting Bracket Available
CHWLUNI	Howler and WeCanX Howler	1	100-Watt	12	Universal Mounting Bracket
CHWLD15					2015-2023 Dodge Charger
CHWLFE29					2020-2022 Ford Police Interceptor Utility
HSB15					2015-2023 Dodge Charger
HSB4					2008-2020 Ford E-Series
HSB31					2019-2024 RAM 1500, Includes Built-In Mounting for SA315 Speaker (Not for use on Vehicles Equipped with Active Air Dam)
HSB28					2019-2022 Chevy Silverado 1500 SSV
HSB22					2011-2023 Ford F-250/F-350, 2017-2023 F450/F550, 2018-2023 F600
HSB23					Universal Mounting Bracket
HSB27					2018-2021 Ford Expedition SSV, Includes Built-In Mounting for SA315P/SA315U Speaker
HSB29					2020-2022 Ford Police Interceptor Utility
HSB30					2019-2020 Ram 4500/5500
HSB32					2021-2023 Chevy Tahoe
HSB33					2021-2022 Tesla Model Y
HSB34					2021-2022 Ford Mustang Mach-E
HSB35	2021-2023 Ford F-150, 2017-2023 Ford F-250/350/450/550, 2018-2023 Ford Expedition				

Consult current price list for full list of available options at [whelen.com/literature](http://whelen.com/literature)

## DIMENSIONS



**WARNING:** This product may contain chemicals known to the State of California to cause cancer and birth defects or other reproductive harm. For more information, visit [whelen.com/regulatory](http://whelen.com/regulatory).

# Economical Sirens & Airhorns

2YR 12 100 200



BETA1



ALPHASL



WPA3BM

PAPA112

## FEATURES

- Alpha™ sirens deliver 100 or 200 watts of siren warning power, Hands-Free operation, multiple warning tones, and horn ring override capabilities
- Beta™ sirens meet budget sensitive demands for 200 watt siren warning performance, public address, radio repeat capability, and Hands-Free operation

- WPA sirens with public address feature a water resistant control head and 2 lighted rocker switches for lights/auxiliary and Wail/Yelp, and 2 non-lighted switches for Override/Airhorn and volume Hi/Low
- Power Airhorn™ siren amplifiers create the same familiar airhorn sound used by Police, Fire, and EMS in any type of vehicle

Model	Description
ALPHA12S	Alpha Series, Self-Contained Siren, Faceplate Switches
ALPHASL	Alpha Series, Remote Siren, Use with Remote Switches
BETA112R	Beta Series, Full Function Remote Siren, Use with Remote Switches
BETA1	Beta Series, Full Function Control Head Only, 15' Interconnect Harness
BETA2	Beta Series, Full Function Control Head Only, Weather Resistant, 20' Cable
WPA112	WPA Series, Waterproof Siren Amplifier, for a Single 100 Watt Speaker
WPA3BM	WPA Series, Full Function Control Head, Waterproof Switches and Microphone Jack, 20' Cable
PAH112	PA Series, Airhorn Tone Only Siren, for a Single 100 Watt Speaker
PAPA112	PA Series, Airhorn Tone Plus Public Address Siren, Includes Microphone

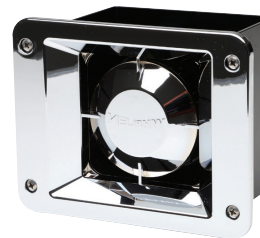
Consult current price list for full list of available options at [whelen.com/literature](http://whelen.com/literature)

# Siren Speakers

2YR 12 100

## FEATURES

- SA315P & SA314 Series for bumper, concealed or flange mount, installs to vehicle's cross member in minutes
- UnderPro™ ambulance speakers are left or right side mounted



SP123BMC



SA315P



SA314A

Model	Description
SA315U	Projector™ Series Nylon Composite, Multi-Port Speaker
SA315P	Projector Series Nylon Composite, Multi-Port Speaker
SA314A	Projector Series Small Profile Cast Aluminum Speaker
SA314B	Projector Series Small Profile Cast Aluminum Speaker, Black Epoxy Coated Finish
SP123BMC	Projector Series Bumper Mount Speaker
SA31101P	UnderPro Single Speaker for International 4300/4400 Series, 2001-2017, Passenger Side
SA31101D	UnderPro Single Speaker for International 4300/4400 Series, 2001-2017, Driver Side
SPT5P	Bumper Mount Speaker for 2015-2019 Ford Transit, Passenger Side
SPT5D	Bumper Mount Speaker for 2015-2019 Ford Transit, Driver Side

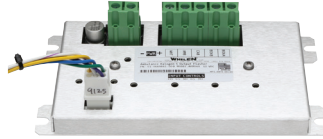
Consult current price list for full list of available options at [whelen.com/literature](http://whelen.com/literature)

# Flashers & Switches

5YR 12 24 IP67



AFL530



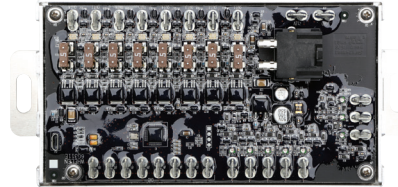
AFM560



SSFPOS16



ULF44



SLFLASH



PCC10W



PCCS9RW

Model	Description
PCCS9RW	Switch Control for Standard Switching
PCCS9LW	Programmable Switch Control for Liberty™ II & Freedom® IV Lightbars
PCC4W	Switch Box, Four 25 Amp SPST Switches
PCC6W	Switch Box, Six 25 Amp SPST Switches
PCC6W1	Switch Box, Five 25 Amp SPST Switches and a Momentary Switch
PCC10W	Switch Box, Ten 25 Amp SPST Switches
PCC10W1	Switch Box, Nine 25 Amp SPST Switches and a Momentary Switch
PCC8R	8 Position Key Pad, Remote Relay Module
AFM1660	16 Outlet Flasher for Halogen, LED or Super-LED® Ambulance Lighthoods
AFM560	5 Outlet Flasher for Halogen, LED or Super-LED Ambulance Lighthoods
AFL530	5 Outlet Flasher for LED, or Super-LED Ambulance Lighthoods
SSFPOS	2 Outlet Flasher for Halogen, LED, or Super-LED Headlight/Grille Lights
UHF2150A	2 Outlet Flasher with Relay, for Halogen, LED, or Super-LED Headlight/Grille Lights
ULF44	4 Outlet Flasher for LED or Super-LED Lighthoods
SLFLASH	8 Outlet Flasher for LED Lighthoods
SSFPOS16	100% Solid-State, Headlight and Taillight Flasher, 2 Outlet, 160 Watts Per Outlet, 7 Flash Patterns

Consult current price list for full list of available options at [whelen.com/literature](http://whelen.com/literature)

**WARNING:** This product may contain chemicals known to the State of California to cause cancer and birth defects or other reproductive harm. For more information, visit [whelen.com/regulatory](http://whelen.com/regulatory).

# Product Index

05™ Series .....	41	M6 & M7 Series .....	30
2" Round Series .....	43	M9 Series .....	29
3" Round Series .....	43	Mega T-Series™ .....	36
4" Round Series.....	44	Micro Freedom® Series.....	27
295 Series Electronic Sirens .....	82	Micron™ Series .....	39
400 Series .....	32	Mini Edge® 9X Series .....	27
400 Series Plus .....	32	Mini Freedom® IV Series .....	26
500 Series.....	33	Mini T-Series™ .....	35
600 Series.....	33	NFPA Freedom IV Lightbars .....	8
700 Series .....	34	NFPA Justice Lightbars.....	14
900 Series.....	34	Outer Edge® Series.....	21
4500 Build-A-Bar Series.....	18	PAR-36 & PAR-46 .....	73
Arges® Remote Spotlight .....	61	PAR Replacement Lamps .....	74
Avenger® II Series.....	76	Pioneer Micro™ .....	67
B6 Series .....	54	Pioneer Nano™ .....	68
Back-Up Lights .....	48	Pioneer Plus™ .....	62
Brake/Tail/Turn Lights.....	46	Pioneer Plus™ Surface Mount.....	65
CenCom Core® .....	79	Pioneer SlimLine™ .....	66
Core-R™ .....	79	Pioneer Summit™ .....	63
Core-S™ .....	79	R316 & R416 Series.....	55
Dominator™ & Dominator Plus™ Series .....	24	Rubber Housing Spot/Floodlights .....	72
Economical Sirens & Airhorns .....	84	Scene Lights .....	69
Edge® 9X Series.....	16	Siren Speakers .....	84
EZ Scene Light™ .....	59	SlimLighter® .....	77
Flashers & Switches .....	85	SpitFire ION™ Series .....	77
Freedom® IV DUO™ & DYAD™ Series.....	8	Strip-Lite™ Plus .....	40
Freedom® IV Rota-Beam™ Series.....	7	Strip-Lite™ Plus XL .....	40
Handheld Spot/Floodlights .....	72	TIR3, LIN3, & LINZ6™ Series.....	45
Howler™ Siren System.....	83	Tracer™ WeCanX® .....	22
Inner Edge® FST™ Series.....	20	Traffic Advisor 2200 Series.....	50
Inner Edge® RST™ Series.....	20	Traffic Advisor Dominator Series.....	50
Interior Lights .....	70	Traffic Advisor Rear Slot Mount.....	51
ION™ Series .....	37	Traffic Advisor Flat.....	51
ION™ V-Series™ .....	38	Traffic Advisor Front .....	52
Justice® Series.....	14	Traffic Advisor TAC8 .....	52
L31 & L32 Super-LED® Series.....	56	T-Series™ .....	35
Legacy® Series.....	12	Turn Signals.....	47
Liberty™ II Series.....	10	V23™ Series .....	39
LINV2™ V-Series™ .....	41	Vertex™ Series .....	42
M2 & M4 Series .....	31	WeCanX™ 2250 .....	19
		WorkSide™ .....	58

# Lighting Certifications

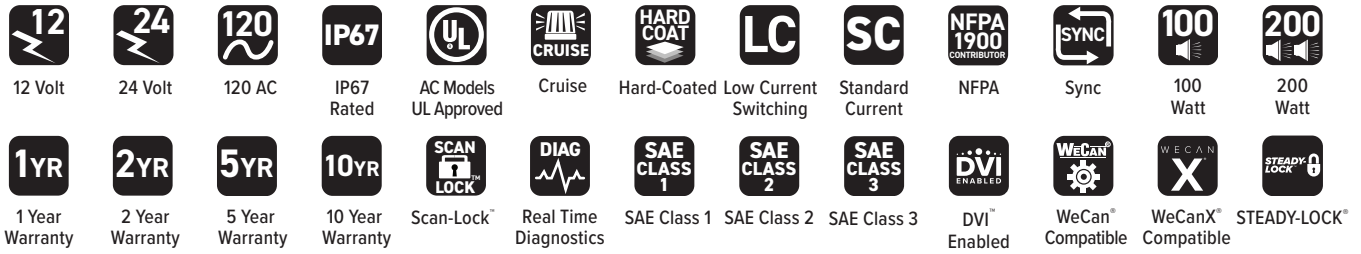
<b>KKK-A-1822F</b> - Federal Ambulance Specification	<b>SAE J588</b> - Turn Signal Lamps for Use on Motor Vehicles Less than 203 cm in Overall Width (Mar 21)
<b>CAC, Title 13, Article 22</b> (Red, Blue and Amber Lightheads)	<b>SAE J592</b> - Sidemarker Lamps for Use on Road Vehicles Less than 203 cm in Overall Width (Sep 16)
<b>WARNING LAMPS AND DEVICES:</b>	<b>SAE J593</b> - Backup Lamp (Reversing Lamp) (Oct 6)
<b>SAE J595</b> - Directional Flashing Optical Warning Devices for Authorized Emergency, Maintenance, and Service Vehicles (Aug 21)	<b>SAE J914</b> - Side Turn Signal Lamps for Vehicles Less than 12 m in Length (Aug 14)
<b>SAE J845</b> - Optical Warning Devices for Authorized Emergency, Maintenance, and Service Vehicles (Aug 21)	<b>SAE J1432</b> - Rear High Mounted Stop Lamps and Rear High Mounted Turn Signal Lamps for Use on Vehicles 203 cm or More in Overall Width (Jan 16)
<b>Test Procedures and Materials:</b>	<b>SAE J1889</b> - LED Signal and Marking Lighting Devices (Jul 19)
<b>SAE J575</b> - Test Methods and Equipment for Lighting Devices for Use on Vehicles Less than 203 cm in Overall Width (Apr 21)	<b>SAE J1957</b> - Center High Mounted Stop Lamp Standard for Vehicles Less than 203 cm Overall Width (Jun 11)
<b>SAE J578</b> - Chromaticity Requirements for Ground Vehicle Lamps and Lighting Equipment (Apr 20)	<b>SAE J2039</b> - Side Turn Signal Lamp for Long Vehicles (Aug 11)
<b>SAE J2139</b> - Tests for Signal and Marking Devices Used on Vehicles 203 cm or More in Overall Width (Dec 14)	<b>SAE J2040</b> - Tail Lamps (Rear Position Lamps) for Use on Vehicles 203 cm or More in Overall Width (Jan 16)
<b>SIGNALING AND MARKING LIGHTING DEVICES AND SYSTEMS:</b>	<b>SAE J2042</b> - Clearance, Sidemarker, and Identification Lamps for On-Road Vehicles 203 cm or More in Overall Width (May 18)
<b>FMVSS108</b> - Federal Motor Vehicle Safety Standards	<b>SAE J2261</b> - Stop Lamps and Front- and Rear-Turn Signal Lamps for Use on Motor Vehicles 203 cm or More in Overall Width (July 16)
<b>NFPA 1900</b> - Standard for Aircraft Rescue and Firefighting Vehicles, Automotive Fire Apparatus, Wildland Fire Apparatus, and Automotive Ambulances (Jan 24)	
<b>SAE J585</b> - Tail Lamps (Rear Position Lamps) for Use on Motor Vehicles Less than 203 cm in Overall Width (Jun 14)	
<b>SAE J586</b> - Stop Lamps for Use on Motor Vehicles Less than 203 cm in Overall Width (May 16)	

Notice: Dimensions indicated for products are within  $\pm 1/16"$  (1.58mm) tolerance. Metric equivalents are rounded to nearest whole number. For special applications requiring more precise measurement, contact factory.

Prior to using any interior light, consult your vehicle's owner manual to insure proper use with air bag safety systems.

The use of a magnetic or suction mounted beacon on the roof of a vehicle in motion is not recommended, and is at the sole discretion and risk of the user.

# ICON LEGEND



## TECH GLOSSARY

### BroadBand Blue™

BroadBand Blue delivers a higher intensity, creates a larger optical image, and produces a more consistent color, all while being easier on the eyes - especially at night.

### Conformal Coating

A thin material that conforms to the contours of the PCB to protect the electronic components from harsh environments and impact.

### DUO™

Two-color interleaved LEDs

### DUO+™

Two-color interleaved with independent control of color one and color two

### DVI™

DVI patterns gradually increase and decrease warning light intensity, which better conveys visual information to approaching motorists at night. These patterns clearly indicate when a vehicle is parked and improves a driver's ability to safely navigate around a work zone.

### DYAD™

Two-level technology

### Encapsulated

Lighthoods are fully encapsulated for moisture and vibration resistance.

### Hard-Coat

Whelen's industry-first innovative Hard-Coating process counteracts the effects of environmental and chemical damages to our lenses and domes.

### Linear-LED® - (Super-LED®)

Whelen's optimized use of the latest generation of LEDs and unique reflector optics to produce highly intense light that has superior wide-angle visibility and rivals strobe in performance.

### Low Current

Low current function wires require less than 0.25 amp to operate, allowing for simple operation of each lightbar function.

### ProFocus™

Whelen's innovative single optic LED technology that can be customized and programmed as a spotlight or floodlight, with no moving parts.

### Proclera® Silicone Optics

Whelen's innovative and efficient solution to distorted optical shape and fringe lighting. Proclera Optics feature 100% internal silicone optic technology, an increased ability to harness LED output and better direct and focus light, and a fully-filled square TIR optic to increase optic efficiency compared to a conventional circular TIR.

### Rota-Beam™

Solid-state "rotating" technology, simulating the appearance of a rotating beacon without any moving parts or motors for long-life reliability.

### Scan-Lock™

Whelen's advanced method of changing a products flash pattern. Scan-Lock utilizes an external wire to allow the user to cycle through the entire range of flash patterns, allowing for full customization.

### Scan-Lock+™

The Scan-Lock+ app is the simplest way to change Whelen flash patterns. Designed for optimal convenience, Scan-Lock+ features an easy to use interface and utilizes a Bluetooth connection. Download the Scan-Lock+ app and browse, test, and assign Whelen flash patterns right from your phone.

### SmartLED®

Whelen's distinctive use of self-contained electronics to power and flash a particular LED product. These products require no external flasher, ballast, or power supply to operate.

### SOLO™

Single-color LEDs

### Split

Two-color lighthouse where each color fills half of the reflector

### Standard Current

Lightbar functions are wired directly to the switching device and require switches that are matched to the current draw of the desired functions to be activated.

### Steady-Lock®

A new feature in warning lighthoods that allows an installer to set the flash pattern to Steady automatically, when used with one of Whelen's CenCom Core® control systems.

### Super-LED®

Whelen's innovative LED technology

### Sync

Sync provides the ability to connect multiple Whelen devices to flash together or in alternating patterns. Products with this capability allow the user to create coordinating flashing schemes.

### TIR - (Total Internal Reflection)

Whelen's optimized use of the latest generation of LEDs and unique reflector optics to produce highly intense light that can be directional in nature.

### TRIO™

Three-color interleaved with independent control of color one, color two, and color three

### WeCad™

Engineered for optimal accessibility, WeCad lightbar designer delivers the ability to design custom Whelen lightbars with every available option. Adding R65 compliant options is simple, and a bill of materials will be generated to make ordering fast and easy.

### WeCan®

Whelen's proprietary CAN-based communication system

### WeCanX®

Whelen's smartest and most powerful CAN-based communication system. WeCanX provides true system synchronization, greater speed capabilities, expanded peripheral add-ons, and full support of diagnostics.

# FIRE & EMS

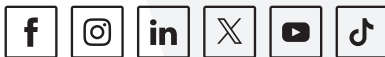
## PROFESSIONAL WARNING AND LIGHTING

A comprehensive guide to Whelen's  
lighting and warning products

Distributed by:

**WHELEN**<sup>®</sup>  
MANUFACTURED IN AMERICA

@WhelenENG



**NASCAR**<sup>™</sup>  
OFFICIAL WARNING LIGHTS

Preferred Warning Lights of 

Whelen Engineering Company  
(860) 526-9504  
www.whelen.com

Whelen Engineering reserves  
the right to upgrade and improve  
products without notice.

© 2024 Whelen Engineering Company,  
Inc. Printed in U.S.A.  
Code No. 11032AE - 03/24

All products proudly designed, manufactured,  
and assembled in the U.S.A.  
• ISO 9001 Registered QMS