

# WHELEN<sup>®</sup>

ENGINEERING COMPANY INC.

51 Winthrop Road,  
Chester, Connecticut 06412-0684  
Phone: (860) 526-9504

Installation Guide:  
Strip-Lite™ Compartment Light  
Mounting Bracket(s) PSBKT451 & PSBKT452

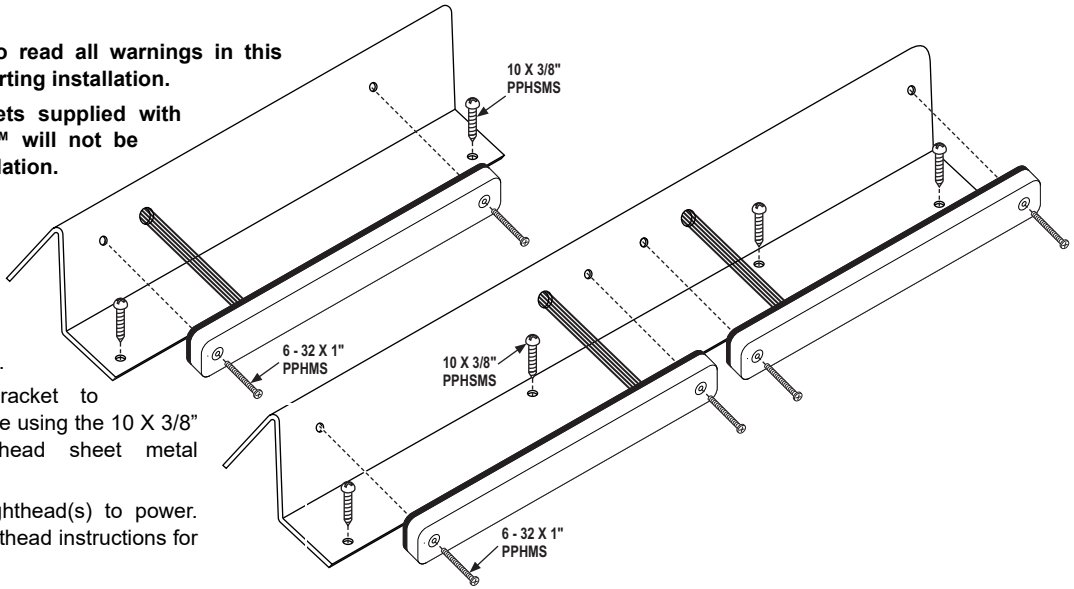
Internet: [www.whelen.com](http://www.whelen.com)  
Sales e-mail: [autosale@whelen.com](mailto:autosale@whelen.com)  
Customer Service e-mail: [custserv@whelen.com](mailto:custserv@whelen.com)

**Installation:**

**NOTE:** Be sure to read all warnings in this manual before starting installation.

**NOTE:** The gaskets supplied with the Strip-Lite™ will not be used in this installation.

1. Secure the lighthead(s) to the bracket using the 6-32 X 1" Phillips pan head machine screws supplied.
2. Secure the bracket to mounting surface using the 10 X 3/8" Phillips pan head sheet metal screws.
3. Connect the lighthead(s) to power. Refer to the lighthead instructions for wiring.



©2007 Whelen Engineering Company Inc.  
Form No.14128A (071713)

For warranty information regarding this product, visit [www.whelen.com/warranty](http://www.whelen.com/warranty)

# WHELEN<sup>®</sup>

ENGINEERING COMPANY INC.

51 Winthrop Road,  
Chester, Connecticut 06412-0684  
Phone: (860) 526-9504

Installation Guide:  
Strip-Lite™ Compartment Light  
Mounting Bracket(s) PSBKT451 & PSBKT452

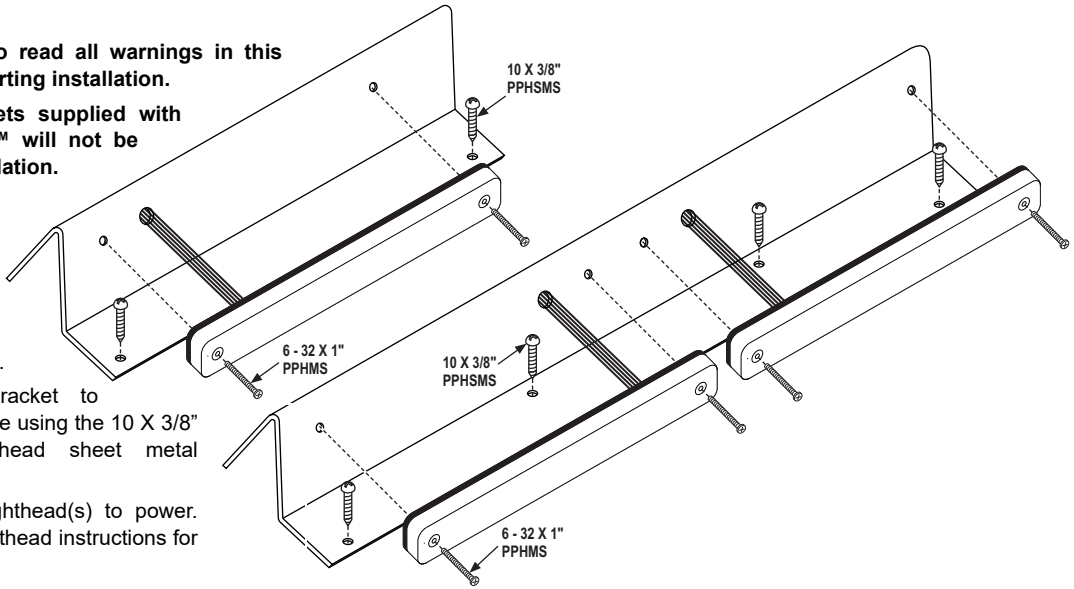
Internet: [www.whelen.com](http://www.whelen.com)  
Sales e-mail: [autosale@whelen.com](mailto:autosale@whelen.com)  
Customer Service e-mail: [custserv@whelen.com](mailto:custserv@whelen.com)

**Installation:**

**NOTE:** Be sure to read all warnings in this manual before starting installation.

**NOTE:** The gaskets supplied with the Strip-Lite™ will not be used in this installation.

1. Secure the lighthead(s) to the bracket using the 6-32 X 1" Phillips pan head machine screws supplied.
2. Secure the bracket to mounting surface using the 10 X 3/8" Phillips pan head sheet metal screws.
3. Connect the lighthead(s) to power. Refer to the lighthead instructions for wiring.



©2007 Whelen Engineering Company Inc.  
Form No.14128A (071713)

For warranty information regarding this product, visit [www.whelen.com/warranty](http://www.whelen.com/warranty)

Caution:Permanent mounting of this product will require drilling. It is absolutely necessary to make sure that no other vehicle components could be damaged by this process. Check both sides of the mounting surface before starting. If damage is likely, select a different location.

**IMPORTANT!** It is the responsibility of the installation technician to make sure that the installation and operation of this product will not interfere with or compromise the operation or efficiency of any vehicle equipment!

**IMPORTANT!** Before returning the vehicle to active service, visually confirm the proper operation of this product, as well as all vehicle components/equipment.

**WARNING!** All customer supplied wires that connect to the positive terminal of the battery must be sized to supply at least 125% of the maximum operating current and FUSED at the battery to carry that load. **DO NOT USE CIRCUIT BREAKERS WITH THIS PRODUCT!**

**IMPORTANT WARNING!**

**CAUTION! DO NOT LOOK DIRECTLY AT THESE LEDS WHILE THEY ARE ON. MOMENTARY BLINDNESS AND/OR EYE DAMAGE COULD RESULT!**

Caution:Permanent mounting of this product will require drilling. It is absolutely necessary to make sure that no other vehicle components could be damaged by this process. Check both sides of the mounting surface before starting. If damage is likely, select a different location.

**IMPORTANT!** It is the responsibility of the installation technician to make sure that the installation and operation of this product will not interfere with or compromise the operation or efficiency of any vehicle equipment!

**IMPORTANT!** Before returning the vehicle to active service, visually confirm the proper operation of this product, as well as all vehicle components/equipment.

**WARNING!** All customer supplied wires that connect to the positive terminal of the battery must be sized to supply at least 125% of the maximum operating current and FUSED at the battery to carry that load. **DO NOT USE CIRCUIT BREAKERS WITH THIS PRODUCT!**

**IMPORTANT WARNING!**

**CAUTION! DO NOT LOOK DIRECTLY AT THESE LEDS WHILE THEY ARE ON. MOMENTARY BLINDNESS AND/OR EYE DAMAGE COULD RESULT!**