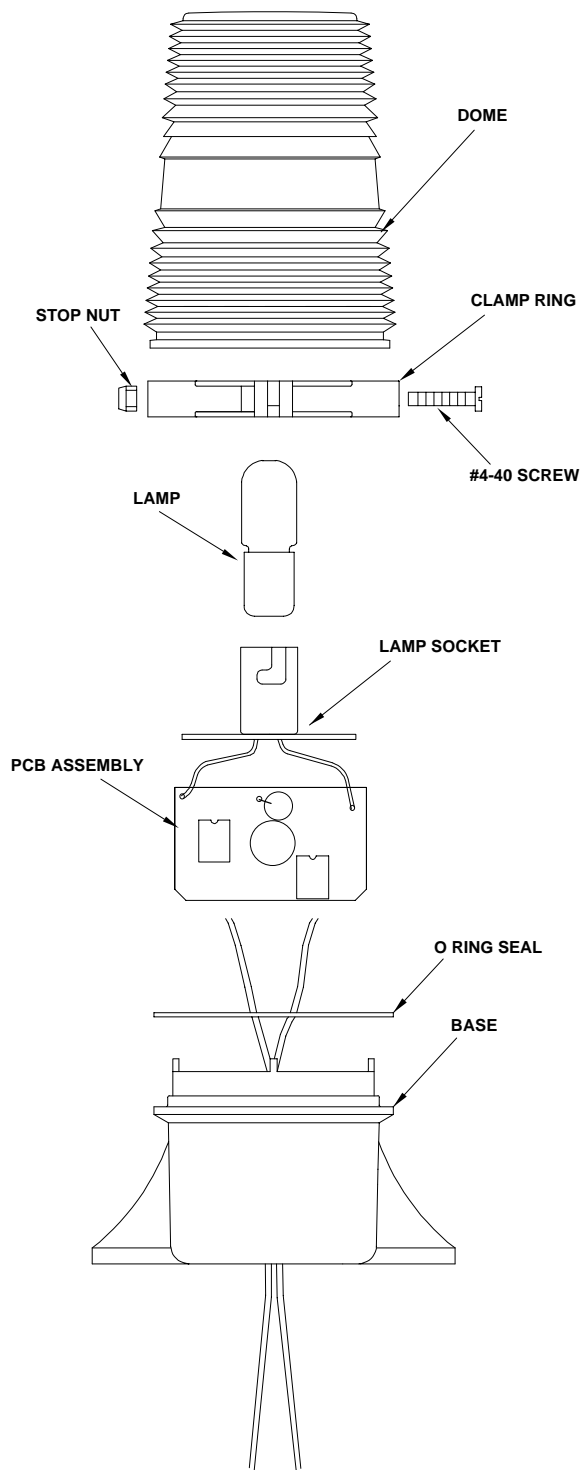


## IF1 SERIES MICRO SIZE FLASHING LAMPS

**IF124P**, 24 VDC, PIPE MOUNT  
**IF1120P**, 120 VAC, PIPE MOUNT  
**IF124S**, 24 VDC, SURFACE MOUNT  
**IF1120S**, 120 VAC, SURFACE MOUNT



SEE OTHER SIDE OF PAGE FOR  
REPLACEMENT PARTS LISTING.

**WARNING** ALWAYS  
DISCONNECT POWER  
BEFORE SERVICING OR  
INSTALLING AN IF1  
SERIES LAMP.

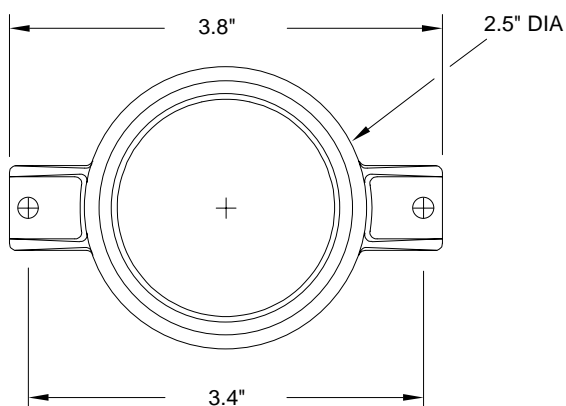
## IF1 SERIES REPLACEMENT PARTS LISTING

DESCRIPTION	QTY.	PART NUMBER
BULB, 18W, 24V	1	34-0022327-00
BULB, 23W, 120V	1	34-0022326-00
DOME, AMBER	1	68-2130024-10
DOME, BLUE	1	68-2130024-20
DOME, CLEAR	1	68-2130024-30
DOME, GREEN	1	68-2130024-40
DOME, RED	1	68-2130024-50
O RING SEAL	1	38-0416442-00

### MOUNTING INSTRUCTIONS

The IF1 Series Lamps are made for permanent surface mount or pipe mount on a 1/2" NPT thread.

#### SURFACE MOUNT



1. Locate the wires in the wire slot and mount with two screws. Make sure that the wires are in the wire slot and not pinched under the Base.

#### PIPE MOUNT (Internal Thread)

1. Feed the power wires through the pipe.
2. Wire according to the WIRING instructions.
3. Screw the base onto the 1/2" NPT pipe and hand tighten.

### WIRING INSTRUCTIONS

#### MODEL IF124P and IF124S

1. Connect the RED wire to the positive DC voltage (+).
2. Connect the BLACK wire to DC ground (-).

#### MODELS IF1120P and IF1120S

1. Connect the BLACK wire to the AC hot wire.
2. Connect the WHITE wire to the AC return wire.

Refer to the IF1 Series Product Sheet for current draw to determine the proper wire gauge.

### BULB REPLACEMENT

1. Turn off power.
2. Loosen the clamp ring screw and remove the dome. Save the O Ring.
3. Twist the bulb and remove it from the socket.
4. Twist the replacement bulb into the socket. Roll the O Ring down the Base, to get it in position. Position the Dome and secure the clamp ring.