

WHELEN[®]

ENGINEERING COMPANY INC.

51 Winthrop Road,
Chester, Connecticut 06412-0684
Phone: (860) 526-9504

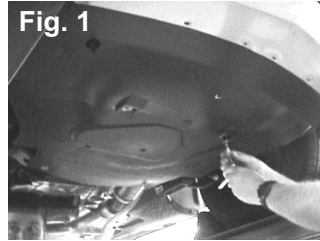
Installation Guide:
Model FEDC06*R LED Fog Light
2006-2010 Dodge Charger

Internet: www.whelen.com
Sales e-mail: autosale@whelen.com
Customer Service e-mail: custserv@whelen.com

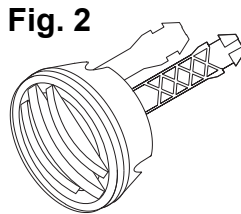
⚠ WARNING: This product can expose you to chemicals including Methylene Chloride which is known to the State of California to cause cancer, and Bisphenol A, which is known to the State of California to cause birth defects or other reproductive harm. For more information go to www.P65Warnings.ca.gov.

Installation

1. Remove the ten, 7mm screws, the retainer pins (3 per side) and the two, 7mm screws (toward front of vehicle) that secure the front splash guard. Remove the front splash guard (Fig. 1).



2. Unplug existing fog light from wiring harness and remove from vehicle. If vehicle is not equipped with fog lights remove the rubber plug (Fig. 2) from this location. The plug is removed by squeezing the 2 arms protruding from the back to disengage the plug allowing it to be pushed out towards the front of the vehicle.
3. Insert the LED fog light into the hole the existing fog light occupied. **NOTE:** Orient the light so that the 2 LINZ6 lighthoods inside are in the horizontal position after



mounting. If you have a 2 color light, you may orient the light to have either color on top. The word "TOP" imprinted on the lens does not need to be on the top when mounted.

4. The LED fog light is mounted using the 4 existing holes in the vehicle. Secure the fog light using the supplied mounting hardware.

Connect the wires to the existing fog light wiring. LED wire designations:

ORG, BLU, WHT, GRN or RED	+VBAT for solid color lighthoods
RED/WHT	+VBAT for different color split lighthoods
WHT/RED	+VBAT for same color split lighthoods
BLK	Ground (-)
WHT/VIO	Scan-Lock™
GREY	SYNC

Operation: The LED fog light features Scan-Lock™ flash pattern selection and SYNChronization capabilities. These two functions will operate as follows:

Scan-Lock™ (White/Violet):

TO CHANGE PATTERNS: To cycle forward to the next available pattern, apply +VBAT to the WHT/VIO wire for less than 1 second and release. To cycle back to the previous pattern, apply +VBAT to the WHT/VIO wire for more than 1 second and release.

TO CHANGE THE DEFAULT PATTERN: When the desired pattern is displayed, allow it to run for more than 5 seconds. The lighthood will now display this pattern when initially activated. (continued on next page)

©2010 Whelen Engineering Company Inc.
Form No.14048D (110810)

For warranty information regarding this product, visit www.whelen.com/warranty

WHELEN[®]

ENGINEERING COMPANY INC.

51 Winthrop Road,
Chester, Connecticut 06412-0684
Phone: (860) 526-9504

Installation Guide:
Model FEDC06*R LED Fog Light
2006-2010 Dodge Charger

Internet: www.whelen.com
Sales e-mail: autosale@whelen.com
Customer Service e-mail: custserv@whelen.com

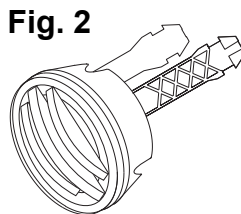
⚠ WARNING: This product can expose you to chemicals including Methylene Chloride which is known to the State of California to cause cancer, and Bisphenol A, which is known to the State of California to cause birth defects or other reproductive harm. For more information go to www.P65Warnings.ca.gov.

Installation

1. Remove the ten, 7mm screws, the retainer pins (3 per side) and the two, 7mm screws (toward front of vehicle) that secure the front splash guard. Remove the front splash guard (Fig. 1).



2. Unplug existing fog light from wiring harness and remove from vehicle. If vehicle is not equipped with fog lights remove the rubber plug (Fig. 2) from this location. The plug is removed by squeezing the 2 arms protruding from the back to disengage the plug allowing it to be pushed out towards the front of the vehicle.
3. Insert the LED fog light into the hole the existing fog light occupied. **NOTE:** Orient the light so that the 2 LINZ6 lighthoods inside are in the horizontal position after



mounting. If you have a 2 color light, you may orient the light to have either color on top. The word "TOP" imprinted on the lens does not need to be on the top when mounted.

4. The LED fog light is mounted using the 4 existing holes in the vehicle. Secure the fog light using the supplied mounting hardware.

Connect the wires to the existing fog light wiring. LED wire designations:

ORG, BLU, WHT, GRN or RED	+VBAT for solid color lighthoods
RED/WHT	+VBAT for different color split lighthoods
WHT/RED	+VBAT for same color split lighthoods
BLK	Ground (-)
WHT/VIO	Scan-Lock™
GREY	SYNC

Operation: The LED fog light features Scan-Lock™ flash pattern selection and SYNChronization capabilities. These two functions will operate as follows:

Scan-Lock™ (White/Violet):

TO CHANGE PATTERNS: To cycle forward to the next available pattern, apply +VBAT to the WHT/VIO wire for less than 1 second and release. To cycle back to the previous pattern, apply +VBAT to the WHT/VIO wire for more than 1 second and release.

TO CHANGE THE DEFAULT PATTERN: When the desired pattern is displayed, allow it to run for more than 5 seconds. The lighthood will now display this pattern when initially activated. (continued on next page)

©2010 Whelen Engineering Company Inc.
Form No.14048D (110810)

For warranty information regarding this product, visit www.whelen.com/warranty

TO RESTORE THE FACTORY DEFAULT PATTERN: With the power to the lighthouse off, apply +VBAT to the **WHT/VIO** wire. With the **WHT/VIO** wire still activated, turn power to the lighthouse on. The factory default pattern should now be displayed.

Use a normally open momentary switch to control Scan-Lock™ operation.

SYNC (Grey):

SYNC lighthoods have a special set of flash patterns, with each pattern available in two modes; Phase 1 and Phase 2. All lighthoods configured to display the Phase 1 mode of a given pattern will flash simultaneously. Any lighthoods configured to display the Phase 2 mode of a pattern, will alternate with any Phase 1 lighthoods of the same pattern.

To sync two flashing LED fog lights, configure both lights to display the same Phase 1 pattern. With the power off, connect the GRY wires from each lighthouse together. When the lighthoods are activated, their patterns will be synchronized. To configure the two lighthoods to alternate their patterns, advance the pattern of either lighthouse to the Phase 2 mode of the current pattern.

To configure, for example, the passenger side LED fog light to alternate with the driver side lighthoods, program one lighthouse for Phase 1 and the other for Phase 2 of the same pattern.

IMPORTANT WARNING!

CAUTION! DO NOT LOOK DIRECTLY AT THESE LED'S WHILE THEY ARE ON. MOMENTARY BLINDNESS AND/OR EYE DAMAGE COULD RESULT!

Available Patterns:	5. DoubleFlash 75.....Phase 1	10. ComAlert™ 75Phase 2	15. SingleFlash 60
1. SignalAlert™ Phase 1	6. DoubleFlash 75.....Phase 2	11. LongBurst™ 75Phase 1	16. SingleFlash 90
2. SignalAlert™ Phase 2	7. SingleFlash 75Phase 1	12. LongBurst™ 75Phase 2	17. SingleFlash 120
3. CometFlash@..... Phase 1	8. SingleFlash 75Phase 2	13. PingPong™ 75.....Phase 1	18. SingleFlash 300
4. CometFlash@..... Phase 2	9. ComAlert™ 75Phase 1	14. PingPong™ 75.....Phase 2	19. DoubleFlash 150

TO RESTORE THE FACTORY DEFAULT PATTERN: With the power to the lighthouse off, apply +VBAT to the **WHT/VIO** wire. With the **WHT/VIO** wire still activated, turn power to the lighthouse on. The factory default pattern should now be displayed.

Use a normally open momentary switch to control Scan-Lock™ operation.

SYNC (Grey):

SYNC lighthoods have a special set of flash patterns, with each pattern available in two modes; Phase 1 and Phase 2. All lighthoods configured to display the Phase 1 mode of a given pattern will flash simultaneously. Any lighthoods configured to display the Phase 2 mode of a pattern, will alternate with any Phase 1 lighthoods of the same pattern.

To sync two flashing LED fog lights, configure both lights to display the same Phase 1 pattern. With the power off, connect the GRY wires from each lighthouse together. When the lighthoods are activated, their patterns will be synchronized. To configure the two lighthoods to alternate their patterns, advance the pattern of either lighthouse to the Phase 2 mode of the current pattern.

To configure, for example, the passenger side LED fog light to alternate with the driver side lighthoods, program one lighthouse for Phase 1 and the other for Phase 2 of the same pattern.

IMPORTANT WARNING!

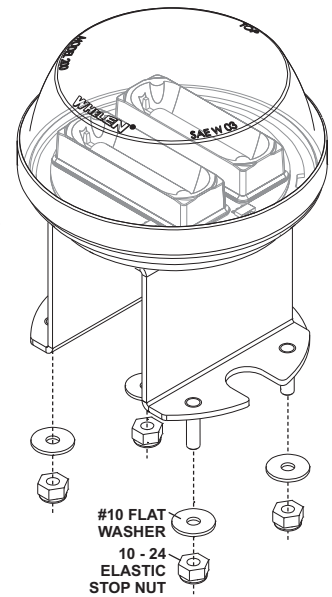
CAUTION! DO NOT LOOK DIRECTLY AT THESE LED'S WHILE THEY ARE ON. MOMENTARY BLINDNESS AND/OR EYE DAMAGE COULD RESULT!

Available Patterns:	5. DoubleFlash 75.....Phase 1	10. ComAlert™ 75Phase 2	15. SingleFlash 60
1. SignalAlert™ Phase 1	6. DoubleFlash 75.....Phase 2	11. LongBurst™ 75Phase 1	16. SingleFlash 90
2. SignalAlert™ Phase 2	7. SingleFlash 75Phase 1	12. LongBurst™ 75Phase 2	17. SingleFlash 120
3. CometFlash@..... Phase 1	8. SingleFlash 75Phase 2	13. PingPong™ 75.....Phase 1	18. SingleFlash 300
4. CometFlash@..... Phase 2	9. ComAlert™ 75Phase 1	14. PingPong™ 75.....Phase 2	19. DoubleFlash 150

WARNING! All customer supplied wires that connect to the positive terminal of the battery must be sized to supply at least 125% of the maximum operating current and **FUSED** at the battery to carry that load. **DO NOT USE CIRCUIT BREAKERS WITH THIS PRODUCT!**

WARNING! It is the responsibility of the installation technician to make sure that the installation and operation of this product will not interfere with or compromise the operation or efficiency of any vehicle equipment!

IMPORTANT! Before returning the vehicle to active service, visually confirm the proper operation of this product, as well as all vehicle components/equipment.



WARNING! All customer supplied wires that connect to the positive terminal of the battery must be sized to supply at least 125% of the maximum operating current and **FUSED** at the battery to carry that load. **DO NOT USE CIRCUIT BREAKERS WITH THIS PRODUCT!**

WARNING! It is the responsibility of the installation technician to make sure that the installation and operation of this product will not interfere with or compromise the operation or efficiency of any vehicle equipment!

IMPORTANT! Before returning the vehicle to active service, visually confirm the proper operation of this product, as well as all vehicle components/equipment.

